

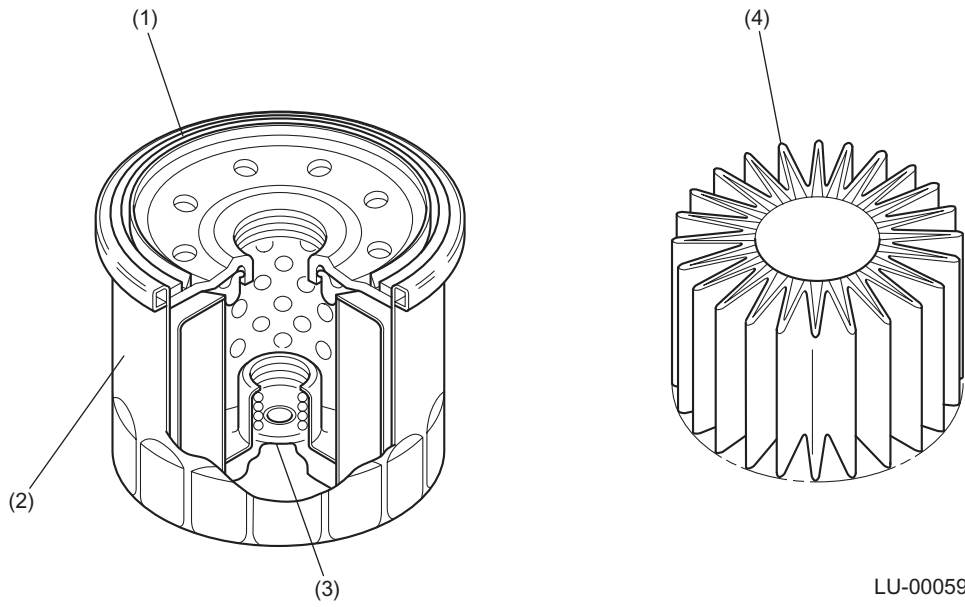
## OIL FILTER

### LUBRICATION

---

#### 4. Oil Filter

The oil filter is a full-flow filtering, cartridge type that utilizes a paper element. It also has a built-in bypass valve. The filter element has a special pleat design to increase the effective filtering area.



- (1) Oil seal
- (2) Filter body
- (3) Bypass valve
- (4) Pleated element

**LU(STi)-6**