

## BRAKE PEDAL

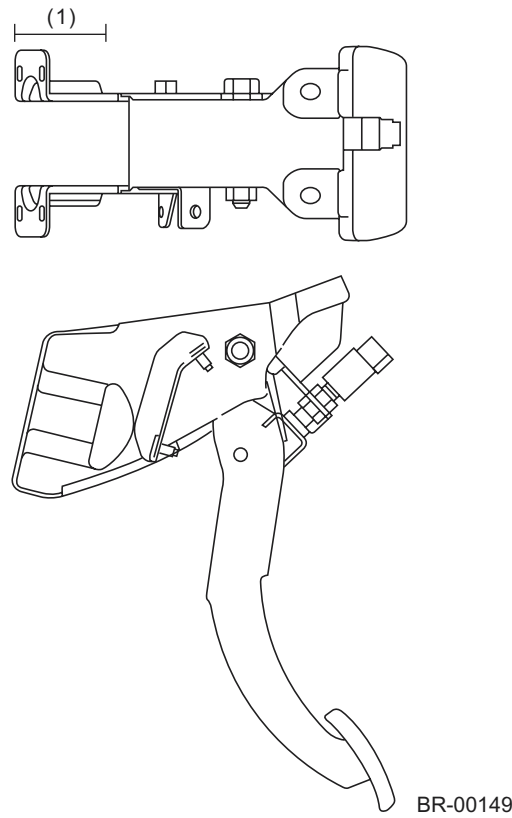
BRAKE

### 4. Brake Pedal

To minimize brake pedal rearward movement in case of a collision for extra safety, the shape of the brake pedal bracket has been changed.

An impact absorbing area is provided at the side of the pedal bracket.

In case of a front collision, the brake pedal bracket impact absorbing area deforms to minimize shock to the driver.



(1) Impact absorbing area

BR-7

# BRAKE PEDAL

BRAKE

---

MEMO

BR-8