

## POWER WINDOW

GLASS/WINDOWS/MIRRORS

---

### 1. Power Window

#### A: CONSTRUCTION

- The power window system consists of regulator motors and switches for individual doors, relays and a circuit breaker unit.
- Each door window opens/closes by pushing down/pulling up the switch.
- Only the driver's door window switch has a 2-stage mechanism:
  - When the switch is pushed lightly and held in the pushed position, the window continues to lower until the switch is released.
  - When the switch is pushed down fully, the window lowers to the end position automatically.

#### NOTE:

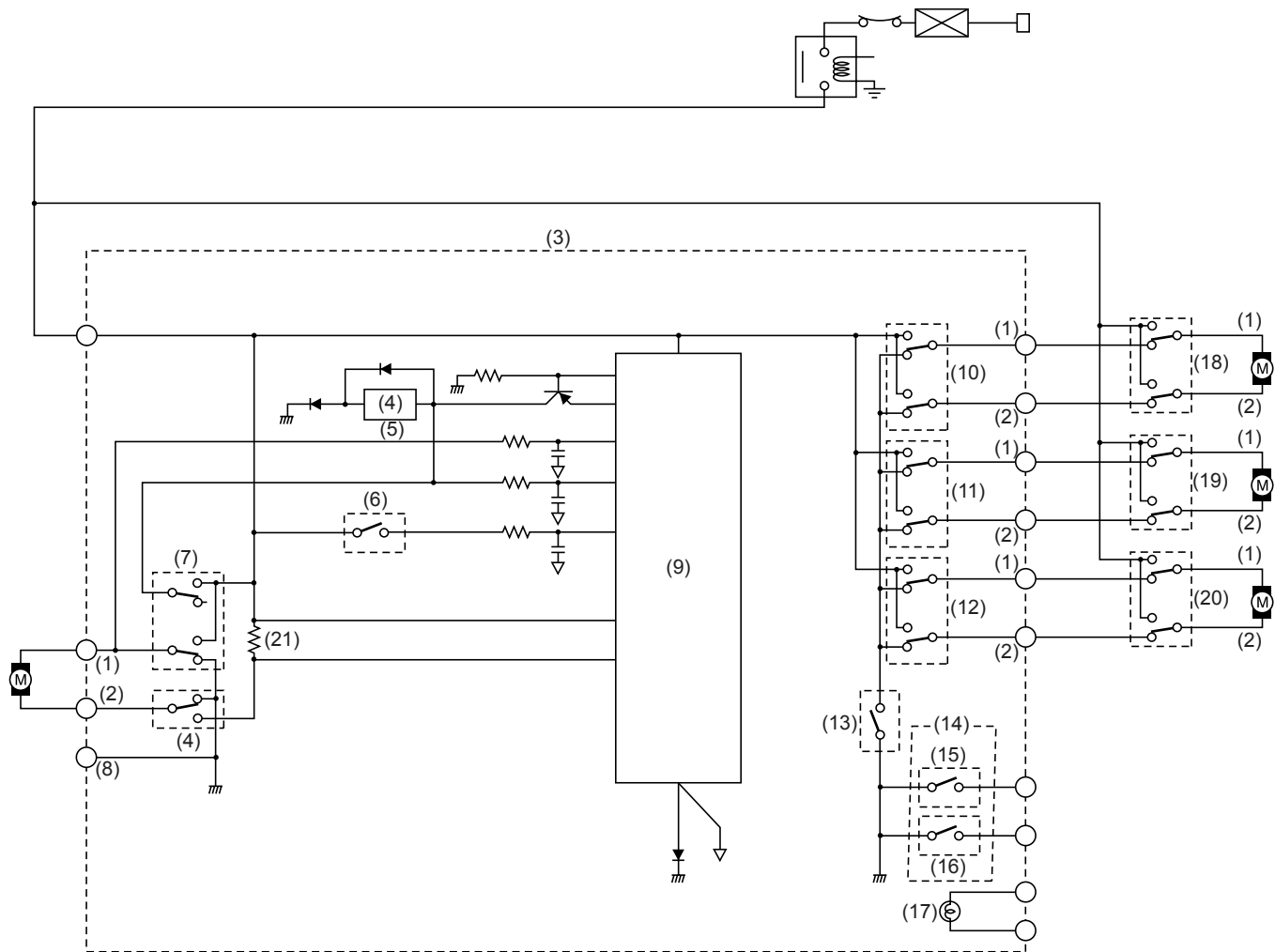
For the sake of safety, the power window system is designed to operate only when the ignition switch is in the ON position.

GW-2

# POWER WINDOW

GLASS/WINDOWS/MIRRORS

## B: SCHEMATIC DRAWINGS



GW-00247

- |                               |                                    |
|-------------------------------|------------------------------------|
| (1) Raise                     | (12) Rear right                    |
| (2) Lower                     | (13) Power window lock             |
| (3) Power window main switch  | (14) Door lock                     |
| (4) Lowering relay            | (15) Unlock                        |
| (5) Relay 1                   | (16) Lock                          |
| (6) Automatic lowering switch | (17) Lamp 1                        |
| (7) Switch 1                  | (18) Passenger's switch            |
| (8) Ground                    | (19) Rear left passenger's switch  |
| (9) Automatic circuit         | (20) Rear right passenger's switch |
| (10) Passenger                | (21) Current detection resistor    |
| (11) Rear left                |                                    |

GW-3