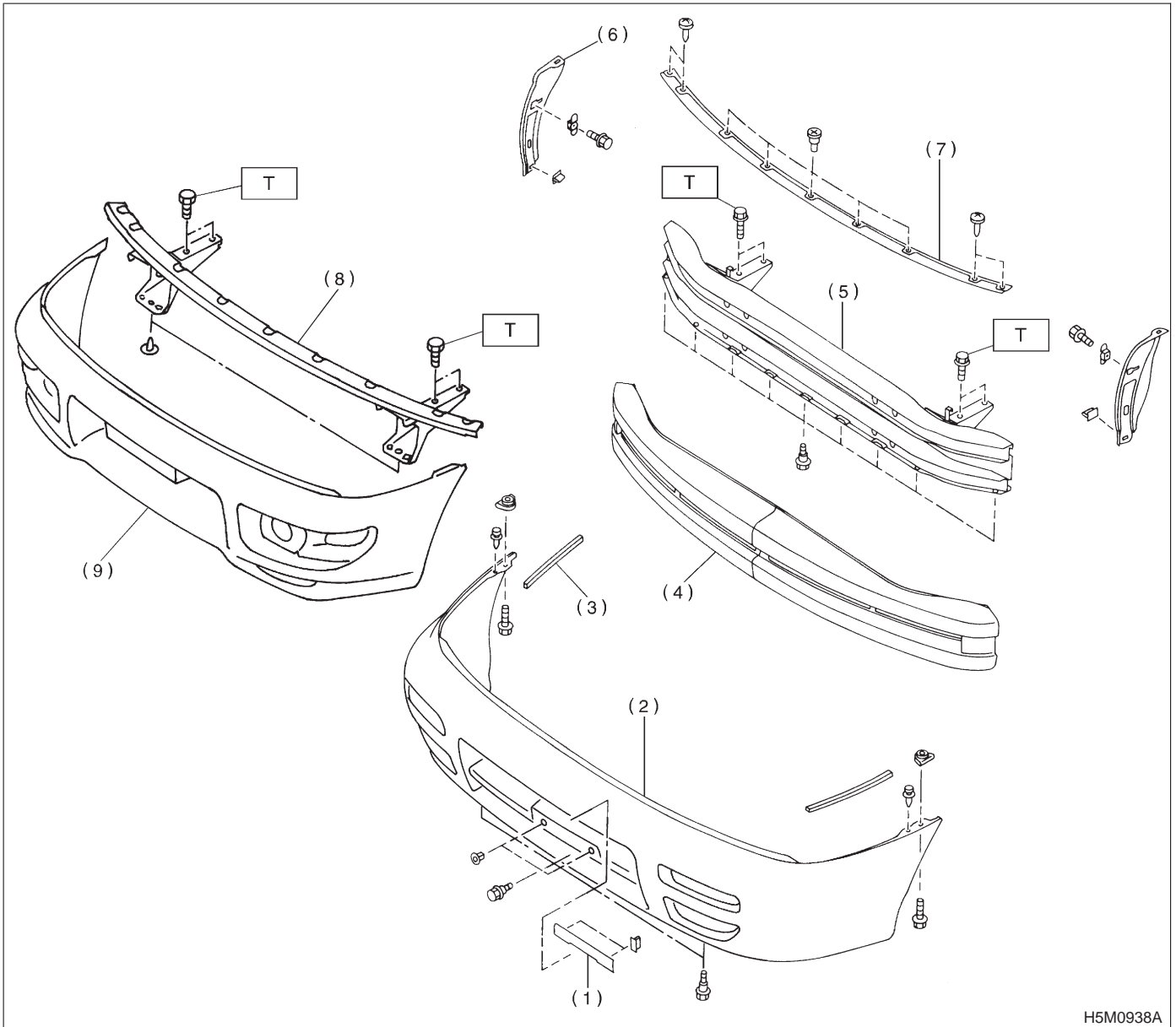


3. Front Bumper



- |                                      |                                     |                               |
|--------------------------------------|-------------------------------------|-------------------------------|
| (1) Plate                            | (5) Front beam (Except USA 2500 cc) | (9) Bumper face (USA 2500 cc) |
| (2) Bumper face (Except USA 2500 cc) | (6) Bracket (Side)                  |                               |
| (3) Spacer                           | (7) Holder upper                    |                               |
| (4) E/A form bumper                  | (8) Front beam (USA 2500 cc)        |                               |

**Tightening torque: N·m (kg·m, ft·lb)**  
**T: 93±25 (9.5±2.5, 69±18)**