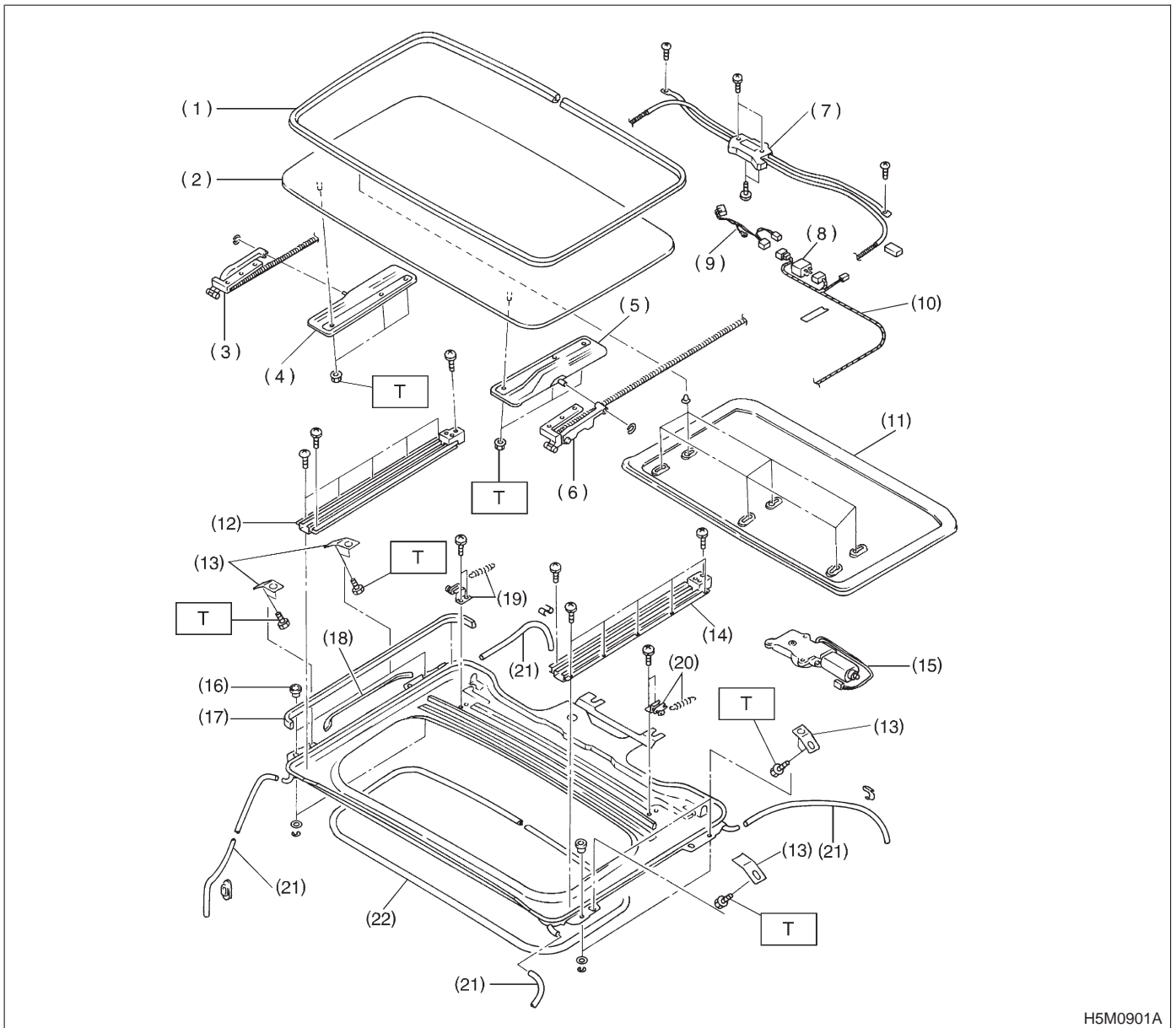


5. Sunroof



H5M0901A

- | | | |
|---------------------|---------------------|-------------------------|
| (1) Weatherstrip | (10) Harness | (19) Shutting ASSY (RH) |
| (2) Sunroof panel | (11) Sunroof trim | (20) Shutting ASSY (LH) |
| (3) Rear guide ASSY | (12) Guide rail | (21) Drain tube |
| (4) Lower panel | (13) Set bracket | (22) Garnish |
| (5) Lower panel | (14) Guide rail | |
| (6) Rear guide ASSY | (15) Motor ASSY | |
| (7) Drive unit | (16) Sealed tape | |
| (8) Relay | (17) Frame ASSY | |
| (9) Harness | (18) Sealed cushion | |

Tightening torque: N·m (kg·m, ft·lb)
T: 7.4±2.0 (0.75±0.2, 5.4±1.4)