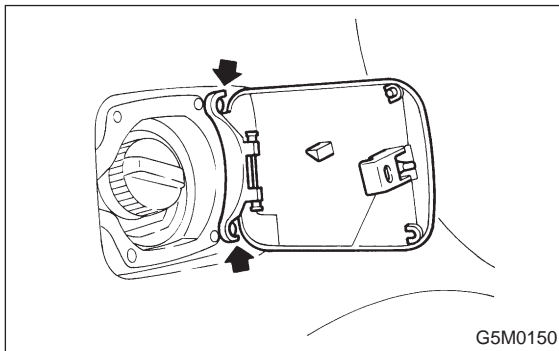


3. Fuel Flap

A: REMOVAL AND INSTALLATION

1. FUEL FLAP

- 1) Remove bolts which hold hinge to car body, and detach fuel flap and hinge as a unit.



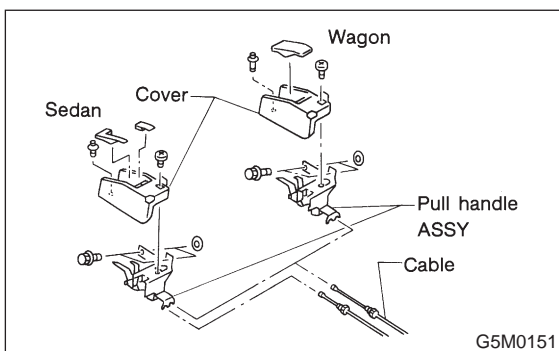
- 2) Installation is in the reverse order of removal.

CAUTION:

Make sure the clearance between fuel flap and car body is equal at all points.

2. FUEL FLAP OPENER

- 1) Remove driver's seat, rear seats, center pillar lower cover, floor mat, rear arch cover/rear quarter trim (wagon), and side sill cover (on the driver's side).
- 2) Remove all clips which hold cable.
- 3) Disconnect cable from pull handle.
- 4) Detach pull handle by removing bolts.



- 5) Detach fuel lock holder by turning it.
- 6) Installation is in the reverse order of removal.

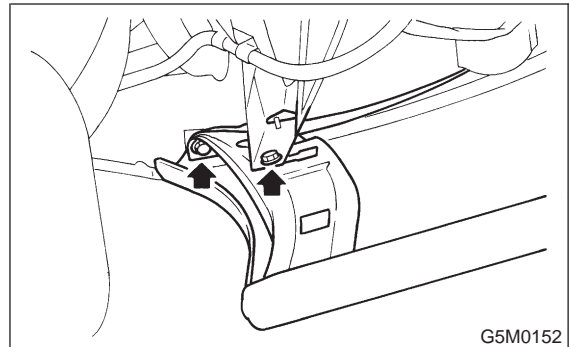
CAUTION:

- When installing cover to pull handle assembly, observe the following:
 - Be careful not to catch harness.
 - Engage pull handle assembly pawls firmly.
- After installing opener cable, ensure it moves smoothly.

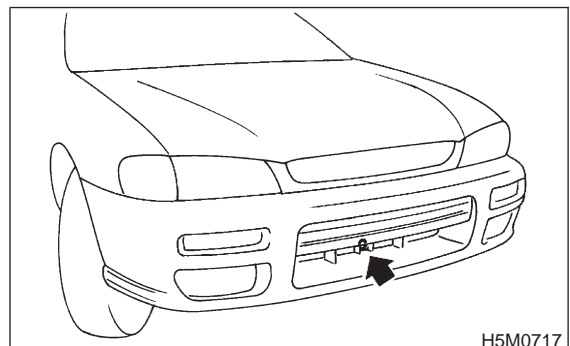
4. Front Bumper

A: REMOVAL AND INSTALLATION

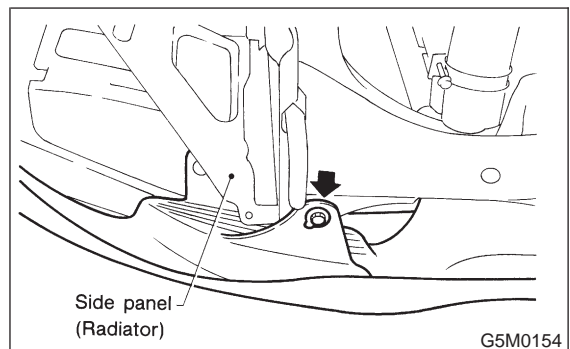
- 1) Disconnect the ground cable from the battery.
- 2) Remove the canister.
- 3) Remove the front grille.
- 4) Remove the parking light and headlight LH.
- 5) Remove the mud guard.
- 6) Remove bolts from side of bumper.



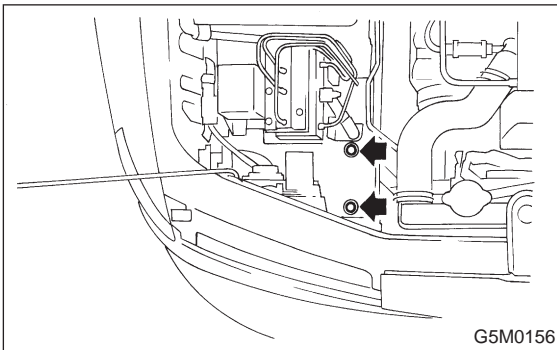
- 7) Remove bolt from lower center of bumper.



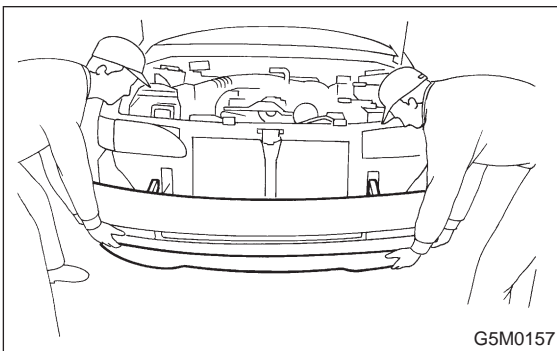
- 8) Remove bolts from lower side of bumper.



9) Remove bolts (engine compartment side) from bumper stays.



10) Remove turn signal light connector.
11) Remove bumper assembly.



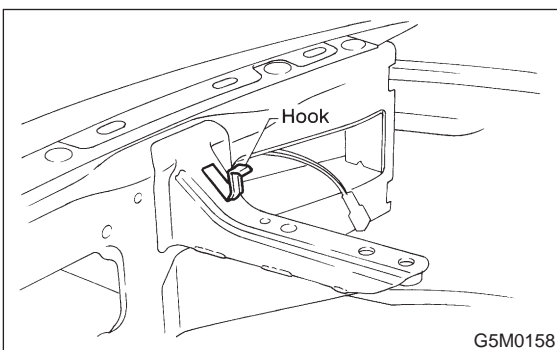
12) Installation is in the reverse order of removal.

CAUTION:

- Be extremely careful to prevent scratches on bumper face as it is made of resin.
- Be careful not to scratch the body when removing or installing the bumper.
- When installing canister, insert air vent hose of canister into the hole on body.

NOTE:

To facilitate installation of front bumper, attach hook (located at stay) to body panel.

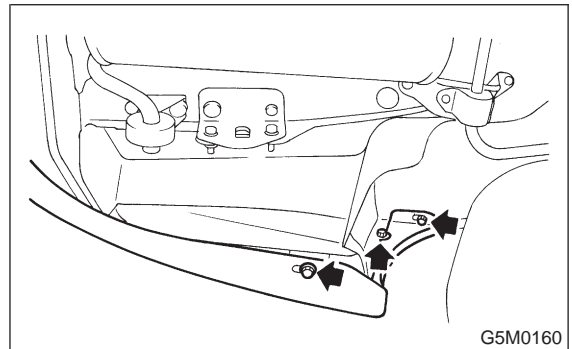


5. Rear Bumper

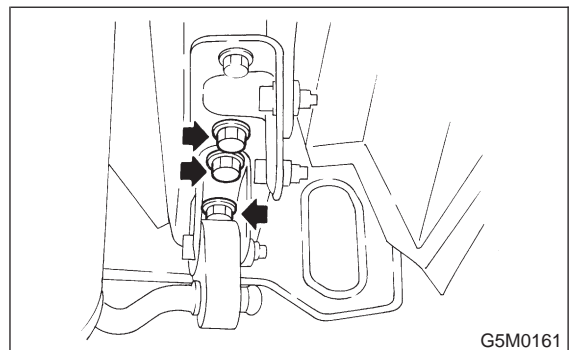
A: REMOVAL AND INSTALLATION

1. SEDAN

- 1) Open trunk lid. Remove trunk trim panel clips and detach trim.
- 2) Disconnect license plate light connector.
- 3) Remove bolts from side of bumper.



4) Remove bolts from bumper stay.



5) Remove rear bumper.

