

8. Side Protector

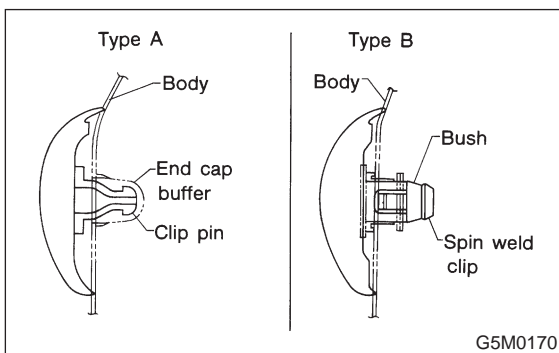
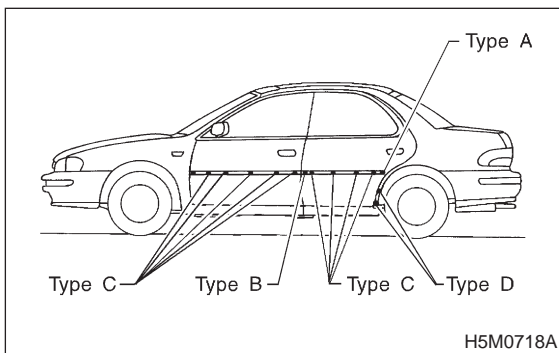
A: REMOVAL AND INSTALLATION

NOTE:

Do not re-use protector.

1) Type A and B:

Protector is attached to body with clips.
While holding end of protector by hand, force protector out.

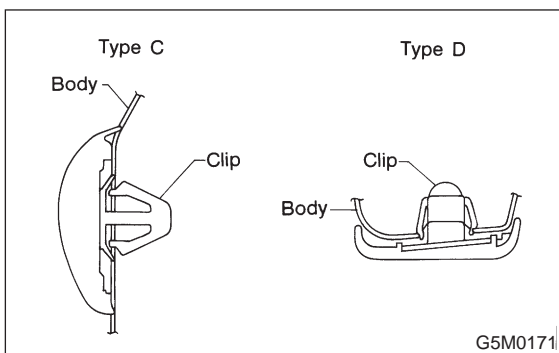


2) Type C:

Protector is attached to body with clips.
Remove door inner trim, and detach protector by pushing clip pawl from inside.

3) Type D:

Protector is attached to body with clips.
While holding end of protector by hand, force protector out.



4) Installation is in the reverse order of removal.

NOTE:

- Type A: Insert clip pins into holes in body, then fit end cap buffers into place.
- Type B: Insert spin weld clips into holes in body, then fit bushings into place.
- Type C and D: Align the clips with holes in body and insert them.
- Install clips in standard holes first.