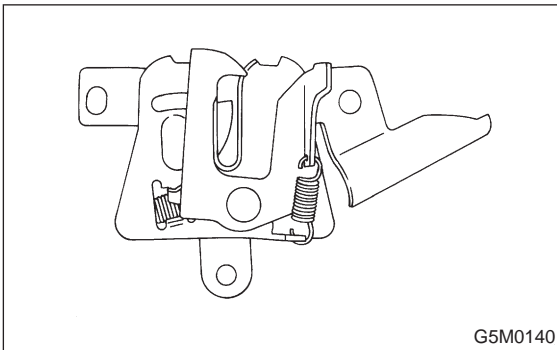


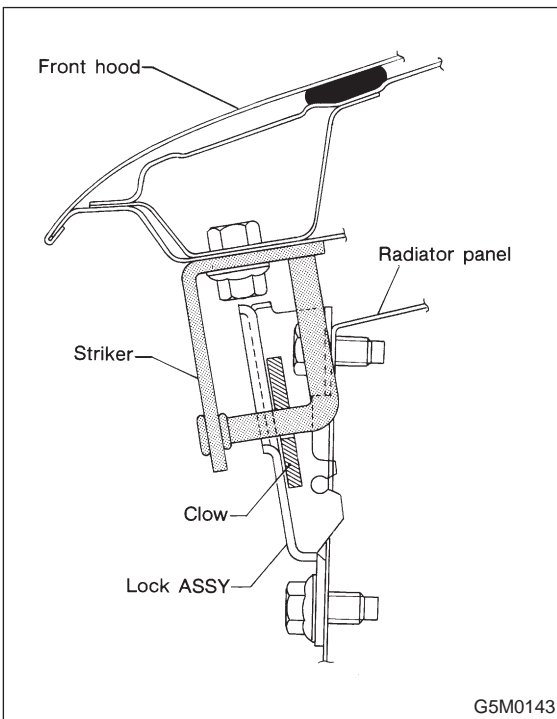
- 3) Check other levers and spring for rust formation and unsmooth movement.



C: ADJUSTMENT

- 1) Fore-aft and left-right adjustments Loosen striker mounting bolts and adjust fore-and-aft position of striker.

CAUTION:
Do not adjust striker position using the lock. Doing so may result in a misaligned front grille.



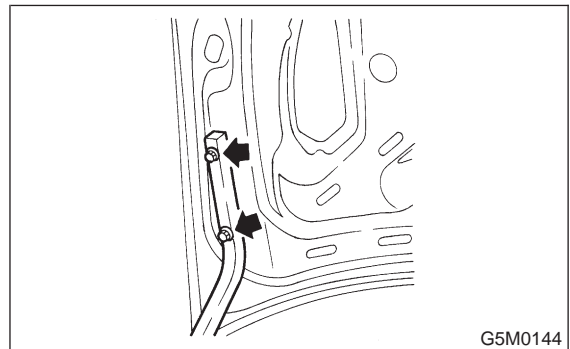
- 2) Up-down adjustment
Make up-and-down adjustment of striker only when hood does not properly contact buffer or hood is not flush with fender, or when release cable does not properly operate. Adjustment can be made by adjusting the stroke length of striker after lock assembly mounting screws are removed.

2. Trunk Lid

A: REMOVAL AND INSTALLATION

1. TRUNK LID

- 1) Open trunk lid.
- 2) Remove trunk lid mounting bolts and detach trunk lid from hinges.

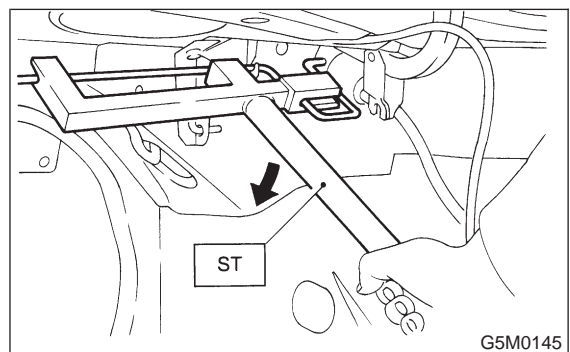


- 3) Installation is in the reverse order of removal.

2. TORSION BAR

- 1) Open trunk lid. Remove torsion bars from hinge links using ST.
ST 927780000 REMOVER

CAUTION:
Be careful because torsion bar quickly swings back when released.



- 2) Remove the left and right torsion bars.

WARNING:
Be careful because trunk lid drops under its own weight when torsion bars are removed.

- 3) Installation is in the reverse order of removal.

NOTE:
Apply a coat of grease to the rotary section of hinges and contact surfaces of torsion bars.

3. TRUNK LID LOCK ASSEMBLY AND KEY CYLINDER

- 1) Remove rod of lock assembly from rod holder of key lock assembly.

5-1 [W2A4]

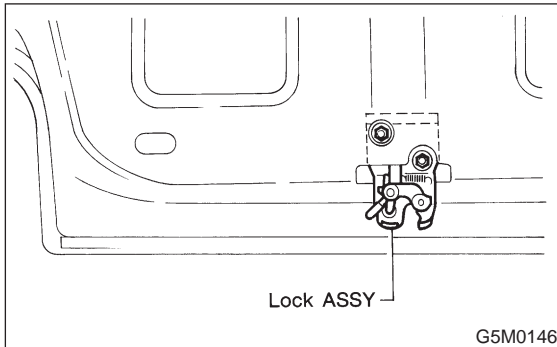
2. Trunk Lid

SERVICE PROCEDURE

2) Remove bolts which hold lock assembly and remove lock assembly.

NOTE:

- Always remove rear skirt trim panel beforehand, if so equipped.
- Be careful not to bend opener cable.

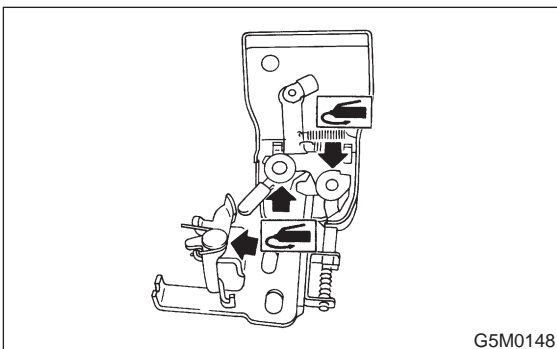


3) Remove clip and detach key cylinder from trunk lid.

4) Installation is in the reverse order of removal.

NOTE:

Apply grease to sliding surfaces of lock assembly and striker.



4. TRUNK LID OPENER

1) Remove driver's seat, rear seats, center pillar lower cover, floor mat, rear arch cover and side sill cover (on the driver's side).

2) Remove all clips which hold cable.

3) Disconnect cable from pull handle assembly.

4) Remove bolts and detach pull handle assembly.

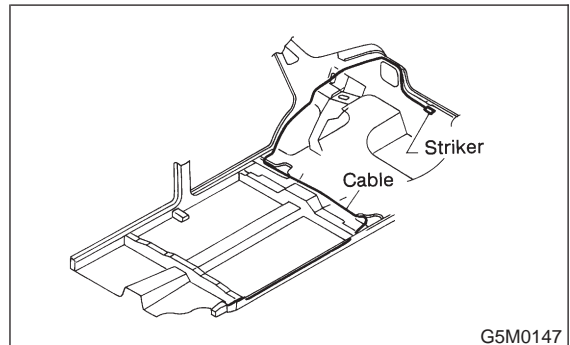
5) Loosen bolts which hold lock assembly, and remove it.

6) Remove striker from trunk lid.

7) Disconnect cable from striker.

NOTE:

Be careful not to bend or break cable.



8) Installation is in the reverse order of removal.

CAUTION:

● When installing cover to pull handle assembly, observe the following:

- Be careful not to catch harness.
- Engage pull handle assembly pawls firmly.

NOTE:

After installing opener cable, ensure it moves smoothly.

B: ADJUSTMENT

1. TRUNK LID

1) To adjust left-right lid positioning, loosen bolts which hold trunk lid to hinges.

2) To adjust up-down lid alignment, place washer(s) between trunk lid and hinges or move trunk lock assembly up or down.

