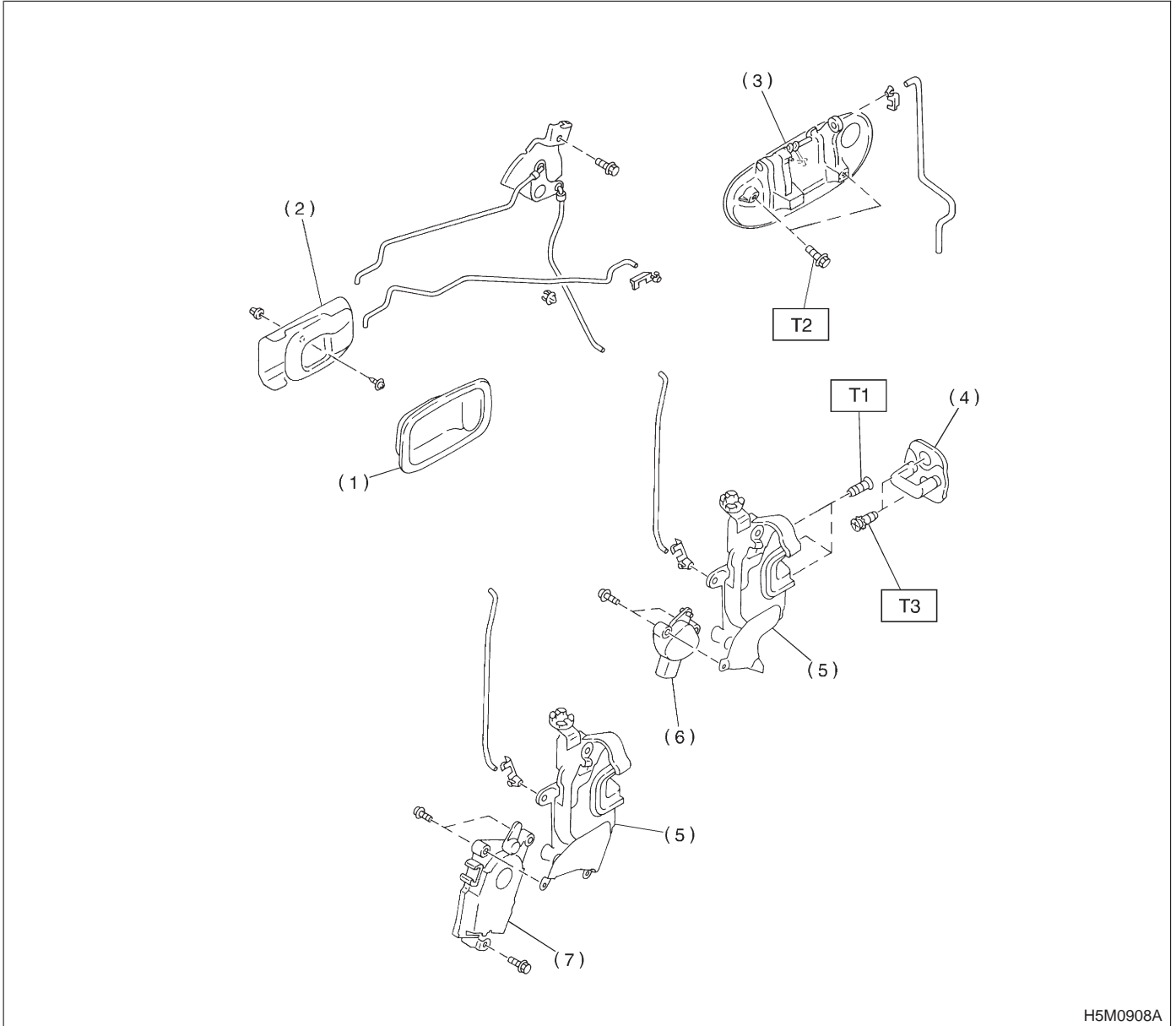


7. Door Lock Assembly

A: FRONT DOOR



- (1) Cover
- (2) Inner remote ASSY
- (3) Door outer handle
- (4) Striker
- (5) Door latch
- (6) Switch ASSY
- (7) Auto-door lock actuator

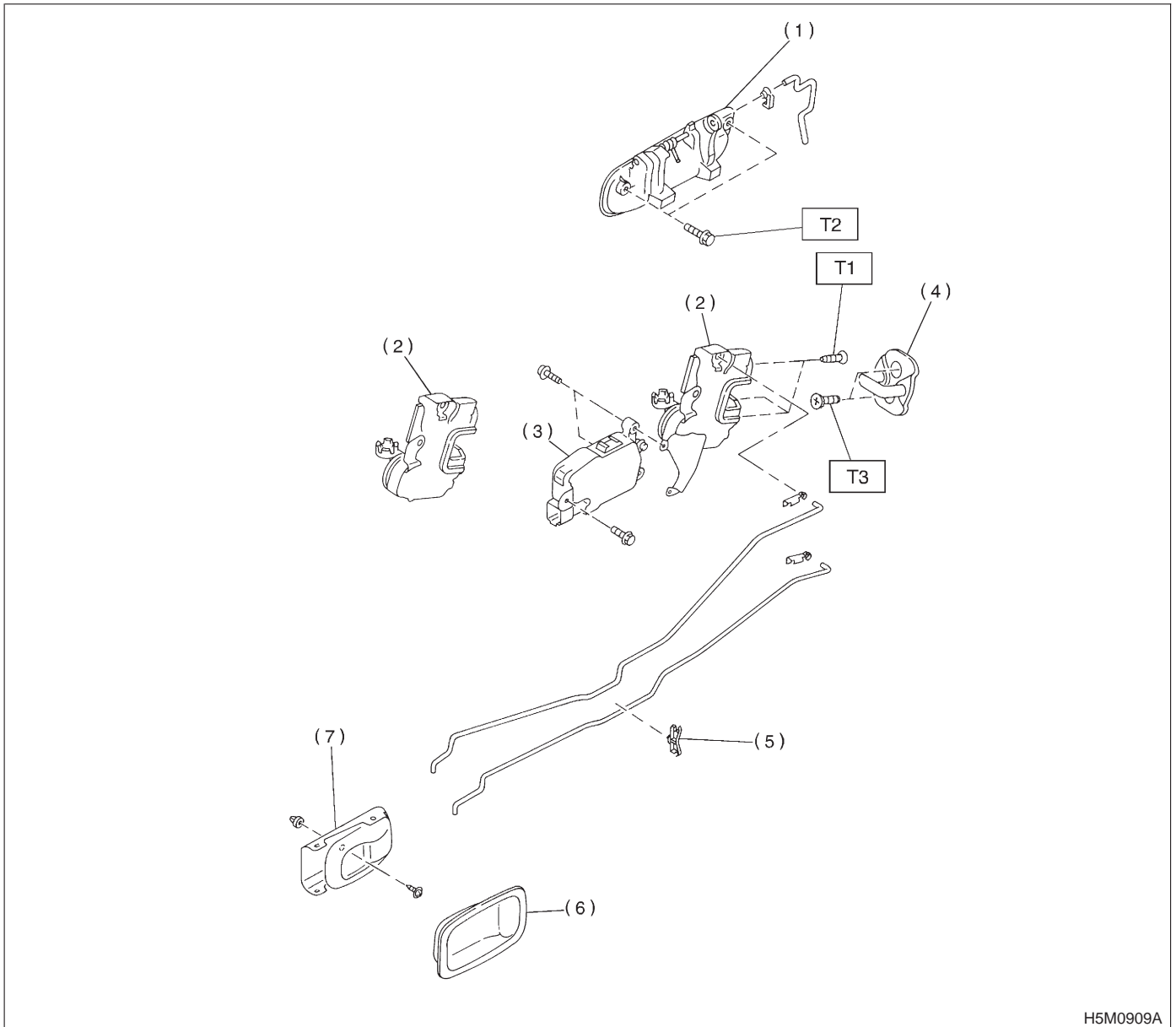
Tightening torque: N·m (kg·m, ft·lb)

T1: 6.4±2.0 (0.65±0.2, 4.7±1.4)

T2: 7.4±2.0 (0.75±0.2, 5.4±1.4)

T3: 14±4 (1.4±0.4, 10.1±2.9)

B: REAR DOOR



- (1) Door outer handle
- (2) Door latch
- (3) Auto-door lock actuator
- (4) Striker
- (5) Rod holder

- (6) Cover
- (7) Inner remote ASSY

Tightening torque: N-m (kg-m, ft-lb)

T1: 6.4±2.0 (0.65±0.2, 4.7±1.4)

T2: 7.4±2.0 (0.75±0.2, 5.4±1.4)

T3: 14±4 (1.4±0.4, 10.1±2.9)