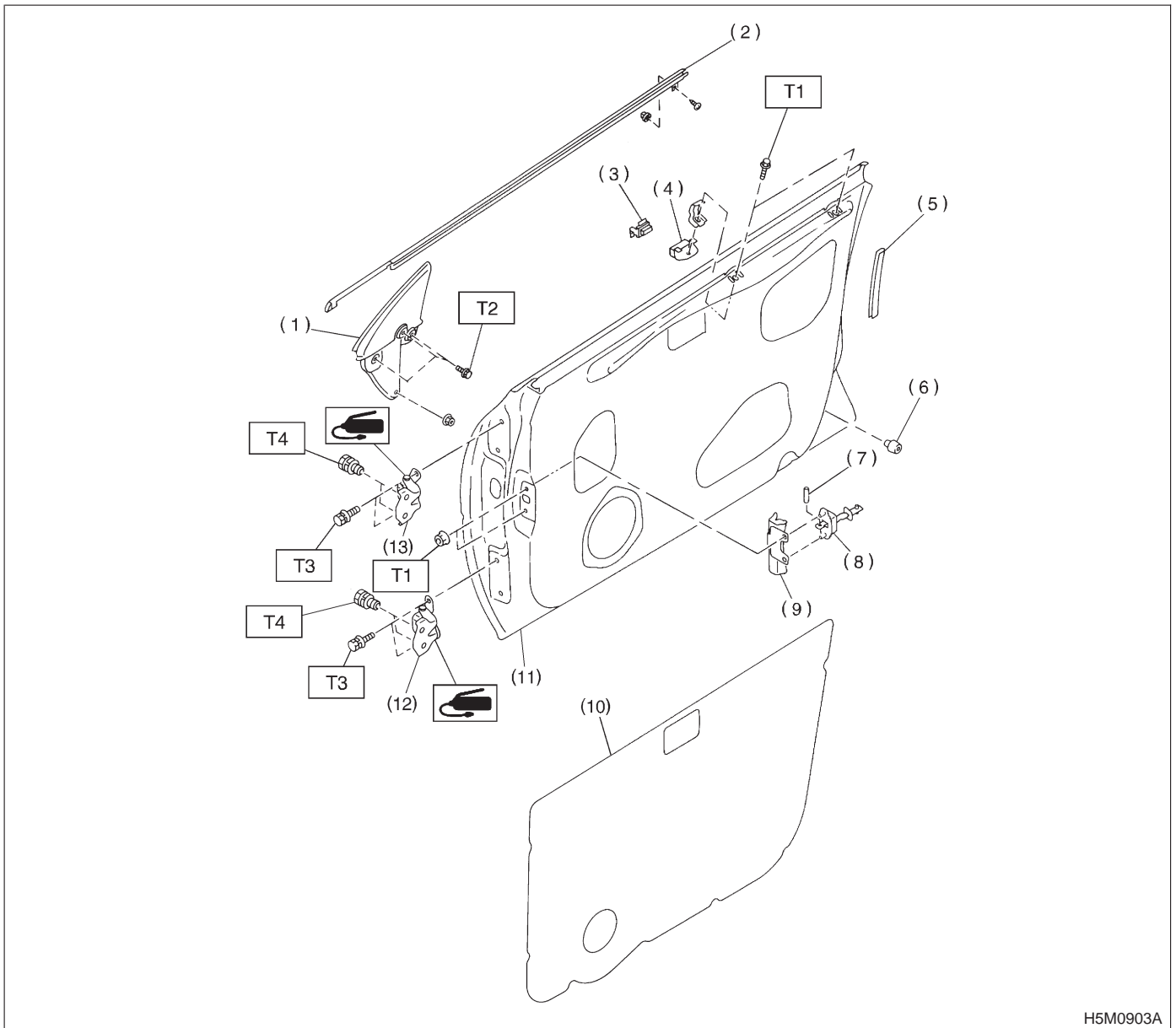


1. Front Door



H5M0903A

- | | |
|------------------------|--------------------|
| (1) Gusset | (8) Checker |
| (2) Weatherstrip | (9) Guide |
| (3) Stabilizer (Outer) | (10) Sealing cover |
| (4) Stabilizer (Inner) | (11) Door panel |
| (5) Protector | (12) Lower hinge |
| (6) Stopper | (13) Upper hinge |
| (7) Knock pin | |

Tightening torque: N-m (kg-m, ft-lb)

T1: 7.4±2.0 (0.75±0.2, 5.4±1.4)

T2: 13±3 (1.3±0.3, 9.4±2.2)

T3: 25±3 (2.5±0.3, 18.1±2.2)

T4: 29±5 (3.0±0.5, 21.7±3.6)