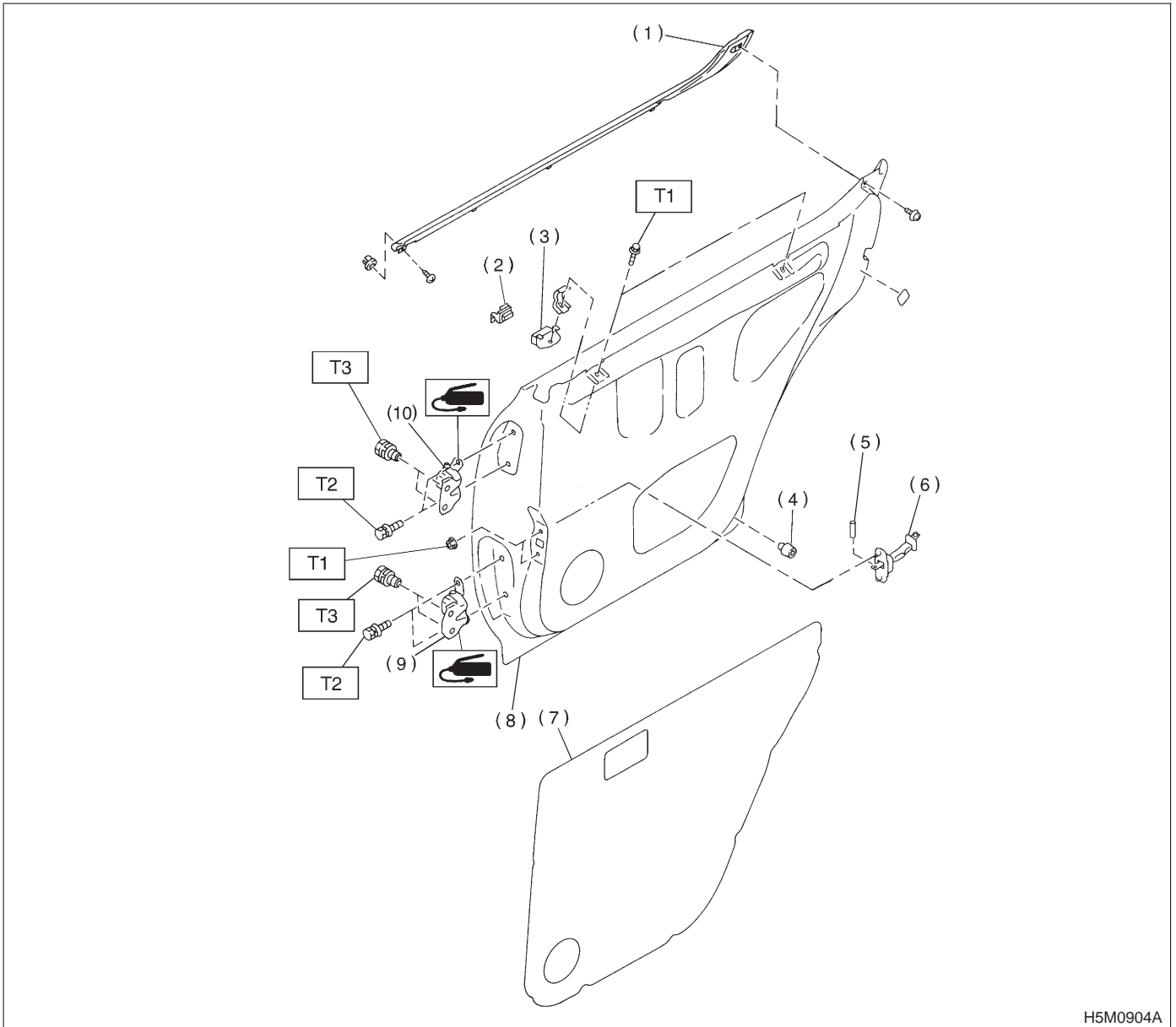


2. Rear Door



H5M0904A

- (1) Weatherstrip
- (2) Stabilizer (Outer)
- (3) Stabilizer (Inner)
- (4) Stopper
- (5) Knock pin
- (6) Checker
- (7) Seating cover
- (8) Door panel
- (9) Lower hinge
- (10) Upper hinge

Tightening torque: N-m (kg-m, ft-lb)
T1: 7.4±2.0 (0.75±0.2, 5.4±1.4)
T2: 25±3 (2.5±0.3, 18.1±2.2)
T3: 29±5 (3.0±0.5, 21.7±3.6)