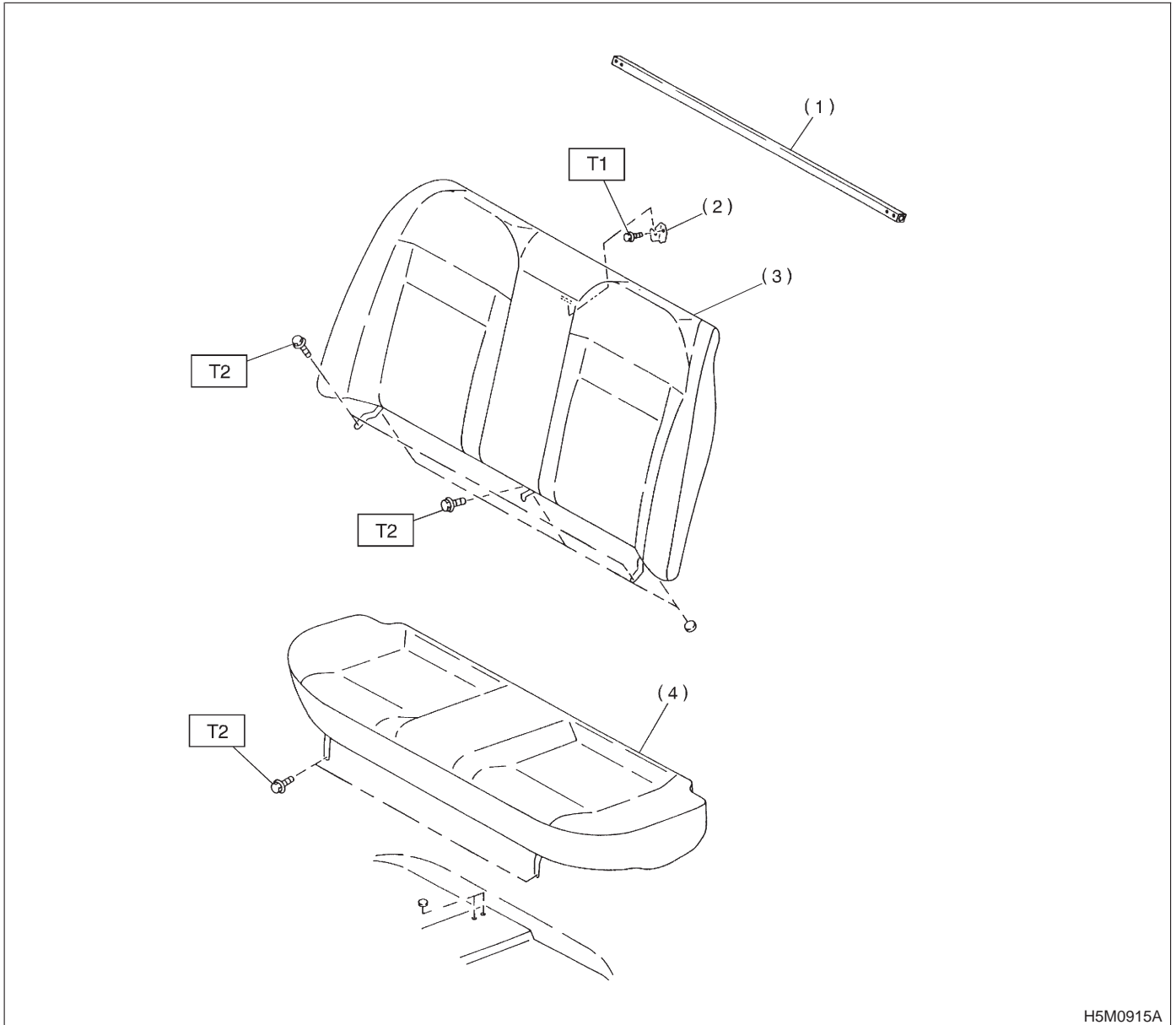


2. Rear Seat

A: SEDAN AND COUPE MODEL



H5M0915A

- (1) Rear seat reinforcement
- (2) Hook
- (3) Backrest

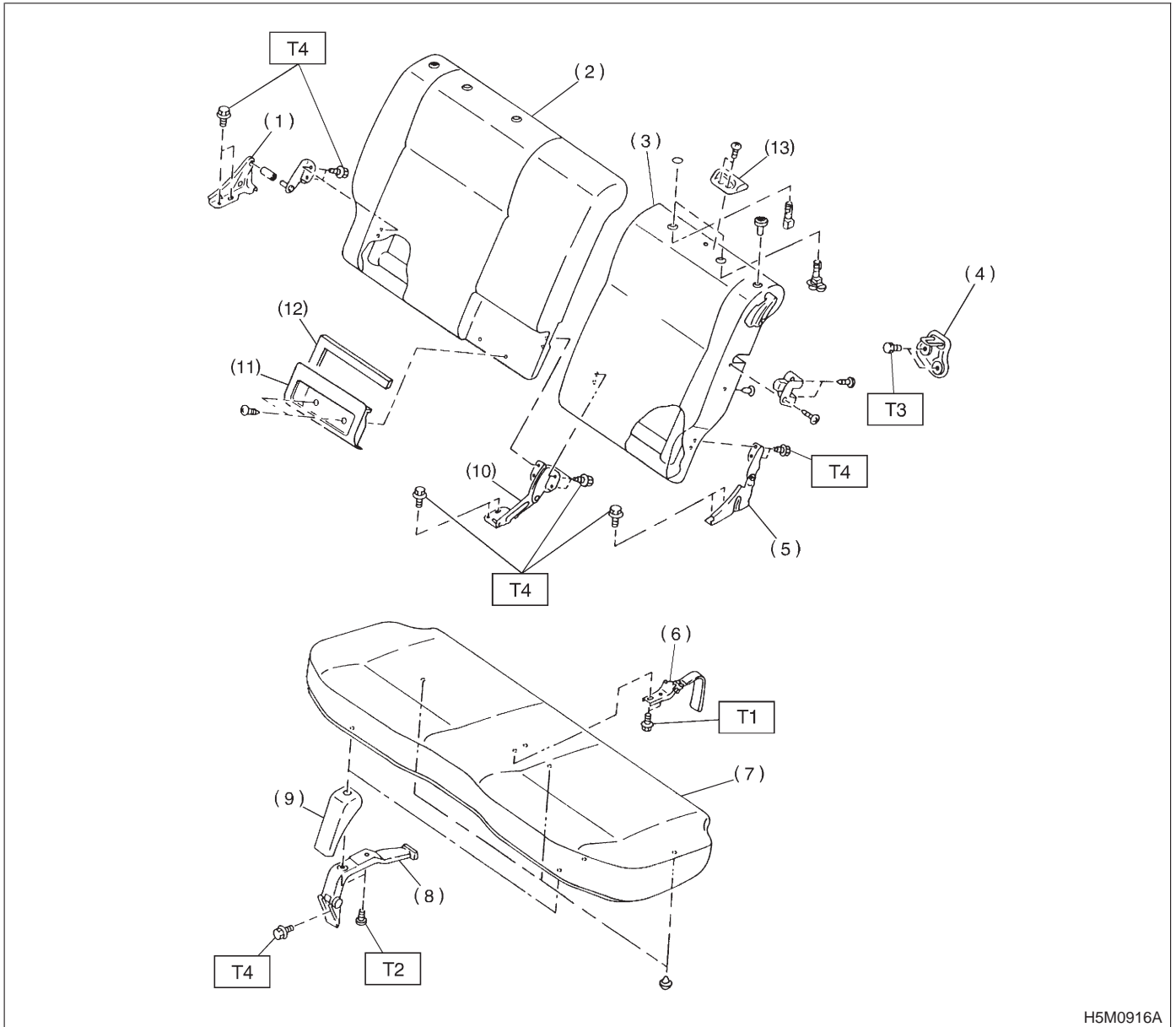
- (4) Rear cushion

Tightening torque: N·m (kg·m, ft·lb)

T1: 10±3 (1.0±0.3, 7.2±2.2)

T2: 25±7 (2.5±0.7, 18.1±5.1)

B: WAGON MODEL



H5M0916A

- | | |
|------------------------|----------------------------|
| (1) Hinge bracket (RH) | (8) Hinge |
| (2) Hinge bracket (RH) | (9) Hinge cover |
| (3) Backrest (LH) | (10) Backrest center hinge |
| (4) Striker | (11) Belt pocket |
| (5) Hinge bracket (LH) | (12) Pad ASSY pocket |
| (6) Lock hinge | (13) Hook |
| (7) Rear cushion | |

Tightening torque: N·m (kg·m, ft·lb)

T1: 2±1 (0.2±0.1, 1.4±0.7)

T2: 5.9±1.5 (0.6±0.15, 4.3±1.1)

T3: 10±3 (1.0±0.3, 7.2±2.2)

T4: 25±7 (2.5±0.7, 18.1±5.1)