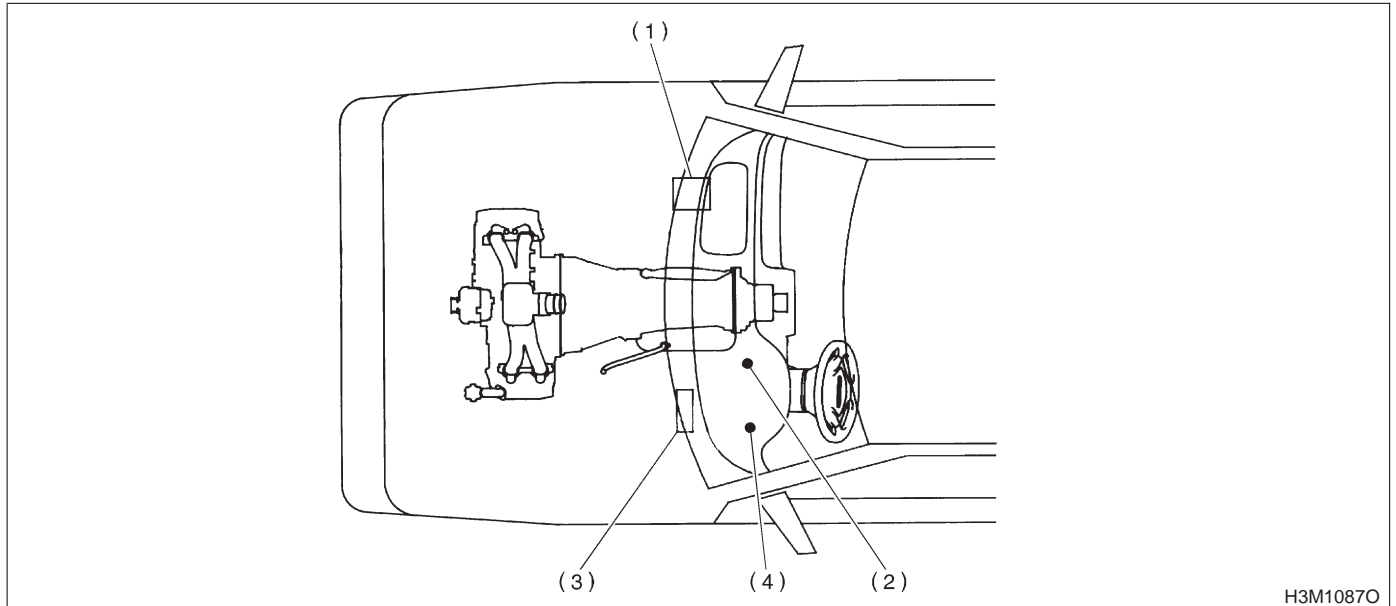


3-2 [T3A0] AUTOMATIC TRANSMISSION AND DIFFERENTIAL

3. Electrical Components Location

3. Electrical Components Location

A: MODULE



H3M1087O

(1) ECM

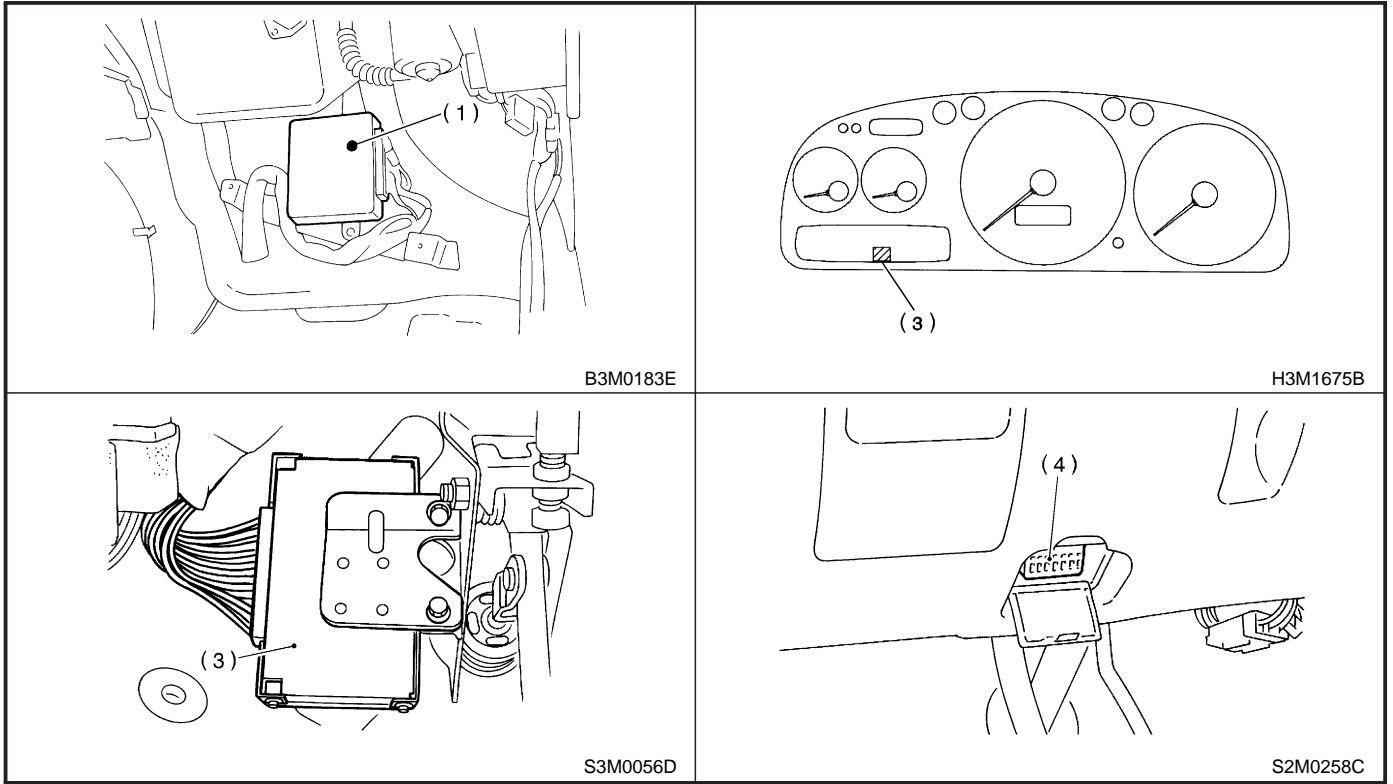
(2) AT OIL TEMP indicator light (AT diagnostic indicator light)

(3) TCM

(4) Data link connector (for Subaru select monitor and OBD-II general scan tool)

AUTOMATIC TRANSMISSION AND DIFFERENTIAL [T3A0] 3-2

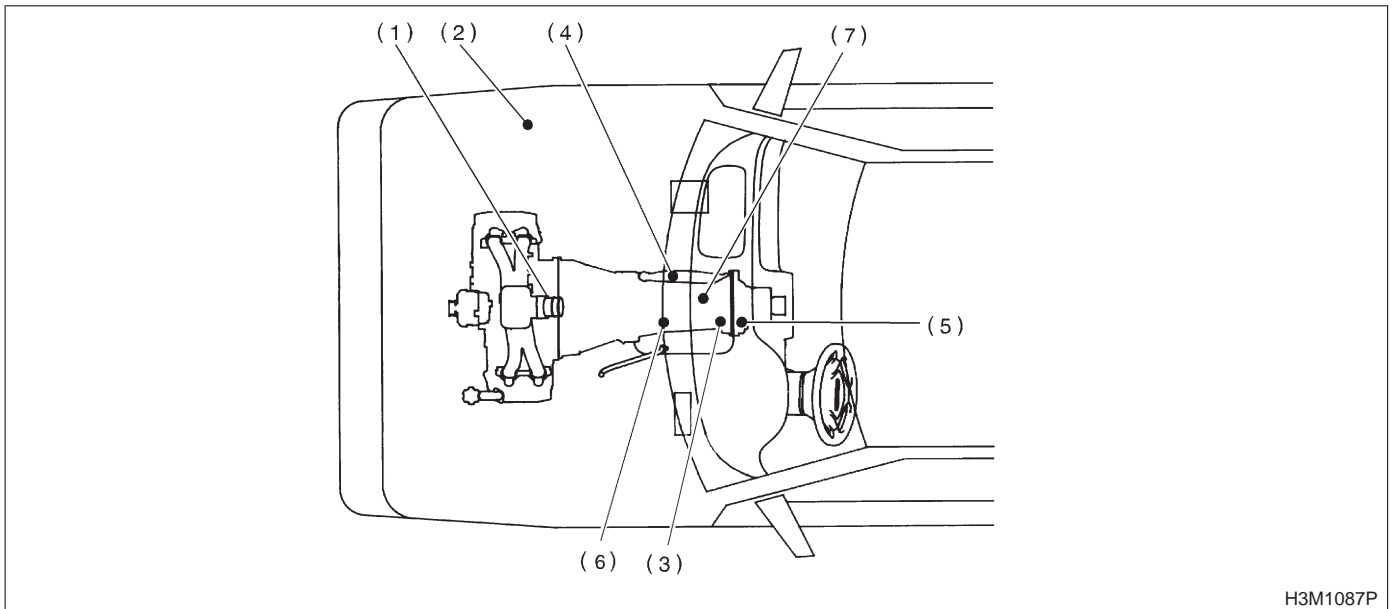
3. Electrical Components Location



3-2 [T3B0] AUTOMATIC TRANSMISSION AND DIFFERENTIAL

3. Electrical Components Location

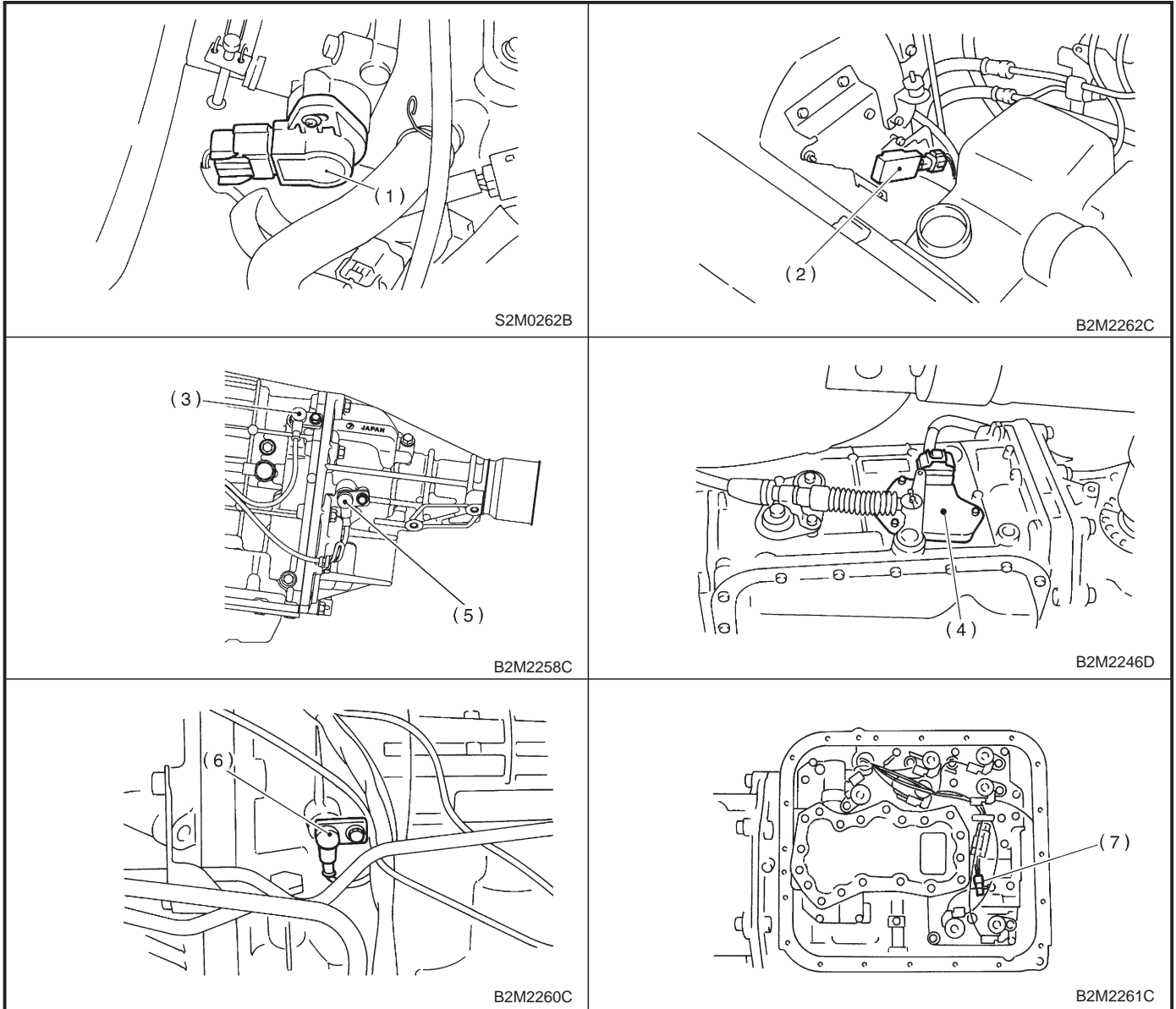
B: SENSOR



H3M1087P

- | | | |
|------------------------------------|-----------------------------------|---|
| (1) Throttle position sensor | (4) Inhibitor switch | (6) Torque converter turbine speed sensor |
| (2) Dropping resistor | (5) Vehicle speed sensor 1 (Rear) | (7) ATF temperature sensor |
| (3) Vehicle speed sensor 2 (Front) | | |

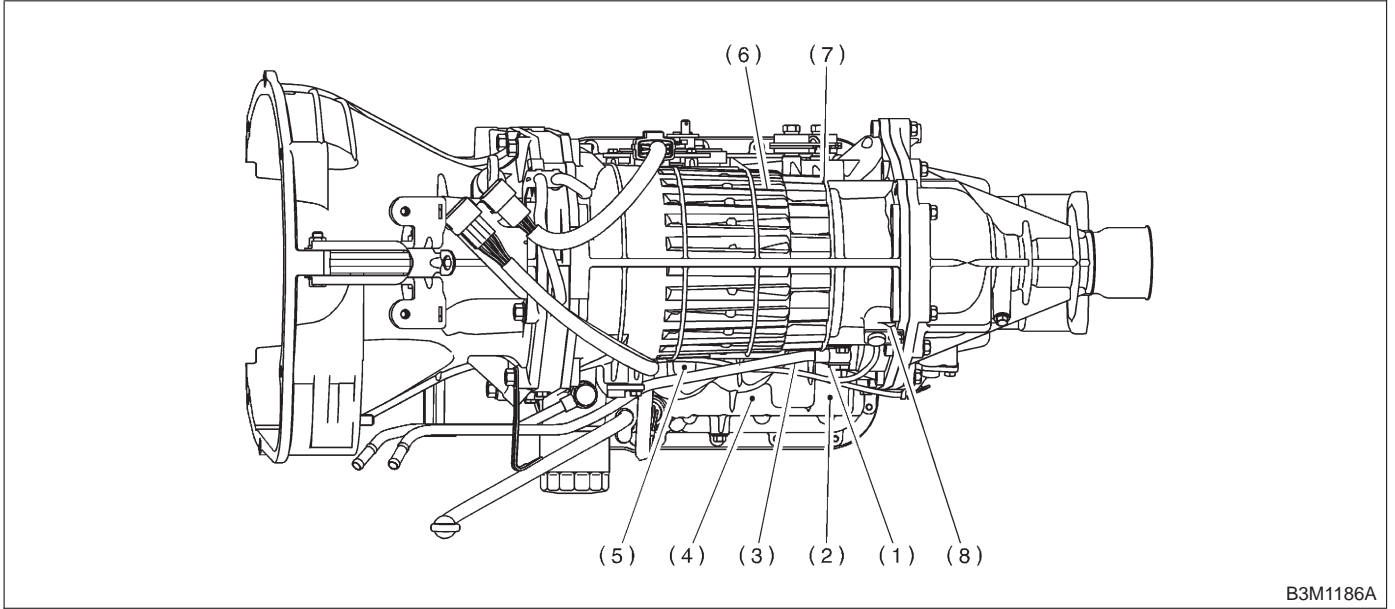
AUTOMATIC TRANSMISSION AND DIFFERENTIAL [T3B0] **3-2**
3. Electrical Components Location



3-2 [T3C0] AUTOMATIC TRANSMISSION AND DIFFERENTIAL

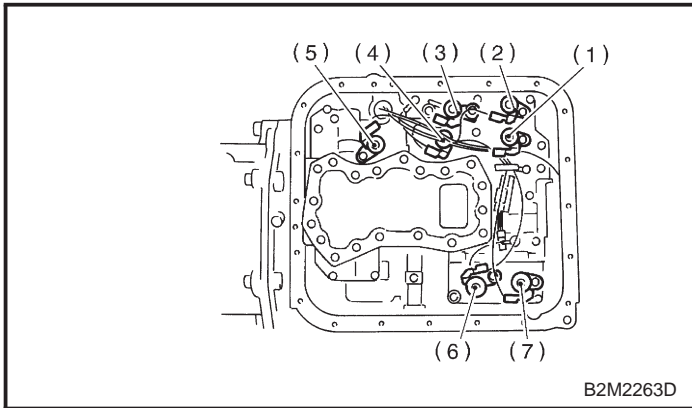
3. Electrical Components Location

C: SOLENOID

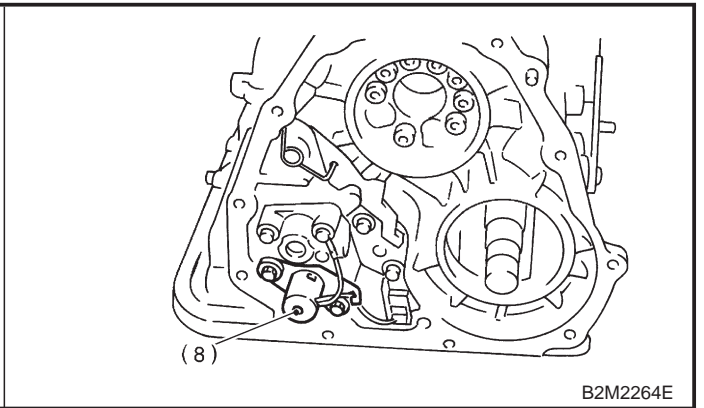


B3M1186A

- | | | |
|---------------------|--------------------------------|-------------------------------|
| (1) Solenoid 1 | (4) Low clutch timing solenoid | (7) 2-4 brake timing solenoid |
| (2) Solenoid 2 | (5) Duty solenoid B | (8) Duty solenoid C |
| (3) Duty solenoid A | (6) Duty solenoid D | |



B2M2263D



B2M2264E