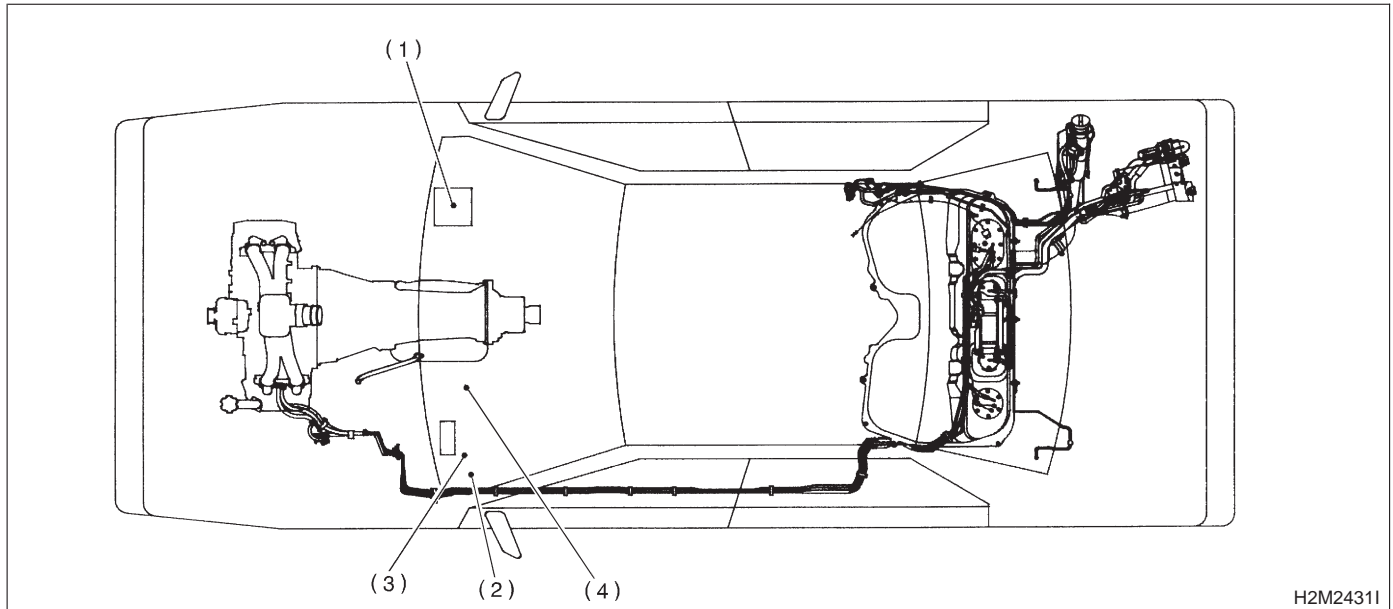


2. Electrical Components Location

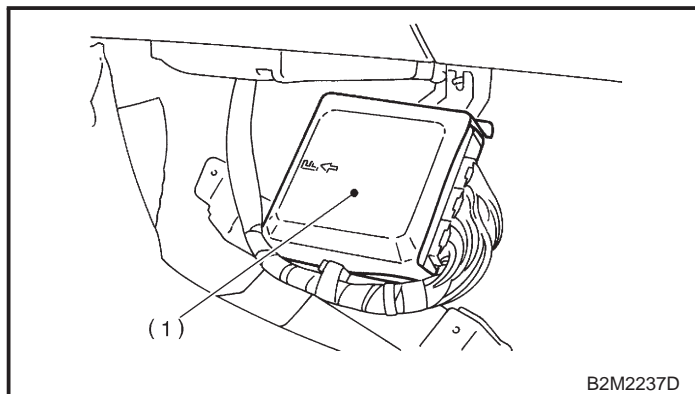
A: ENGINE (2200 cc CALIFORNIA SPEC. VEHICLES)

1. MODULE

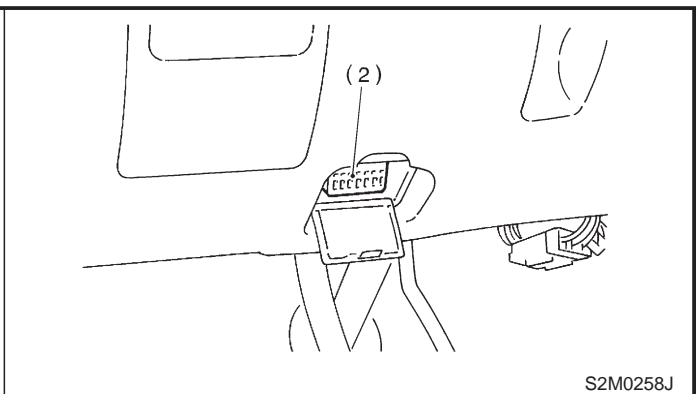


H2M24311

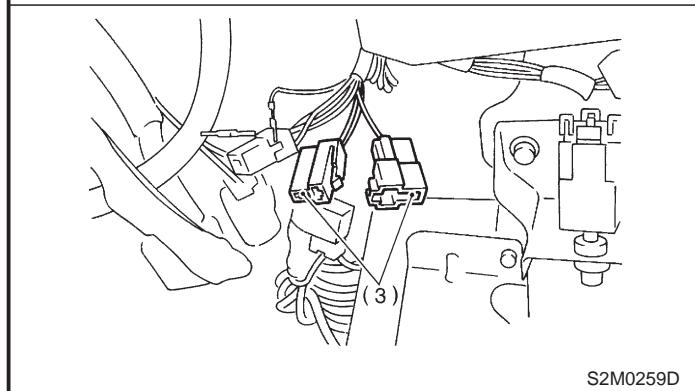
- | | |
|--|---|
| (1) Engine control module (ECM) | (3) Test mode connector |
| (2) Data link connector (for Subaru Select Monitor and OBD-II general scan tool) | (4) CHECK ENGINE malfunction indicator lamp (MIL) |



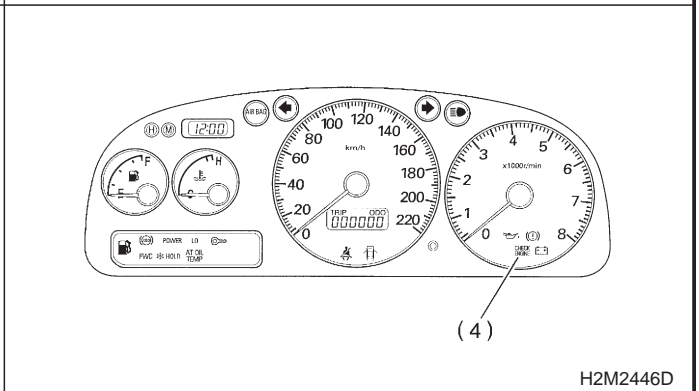
B2M2237D



S2M0258J

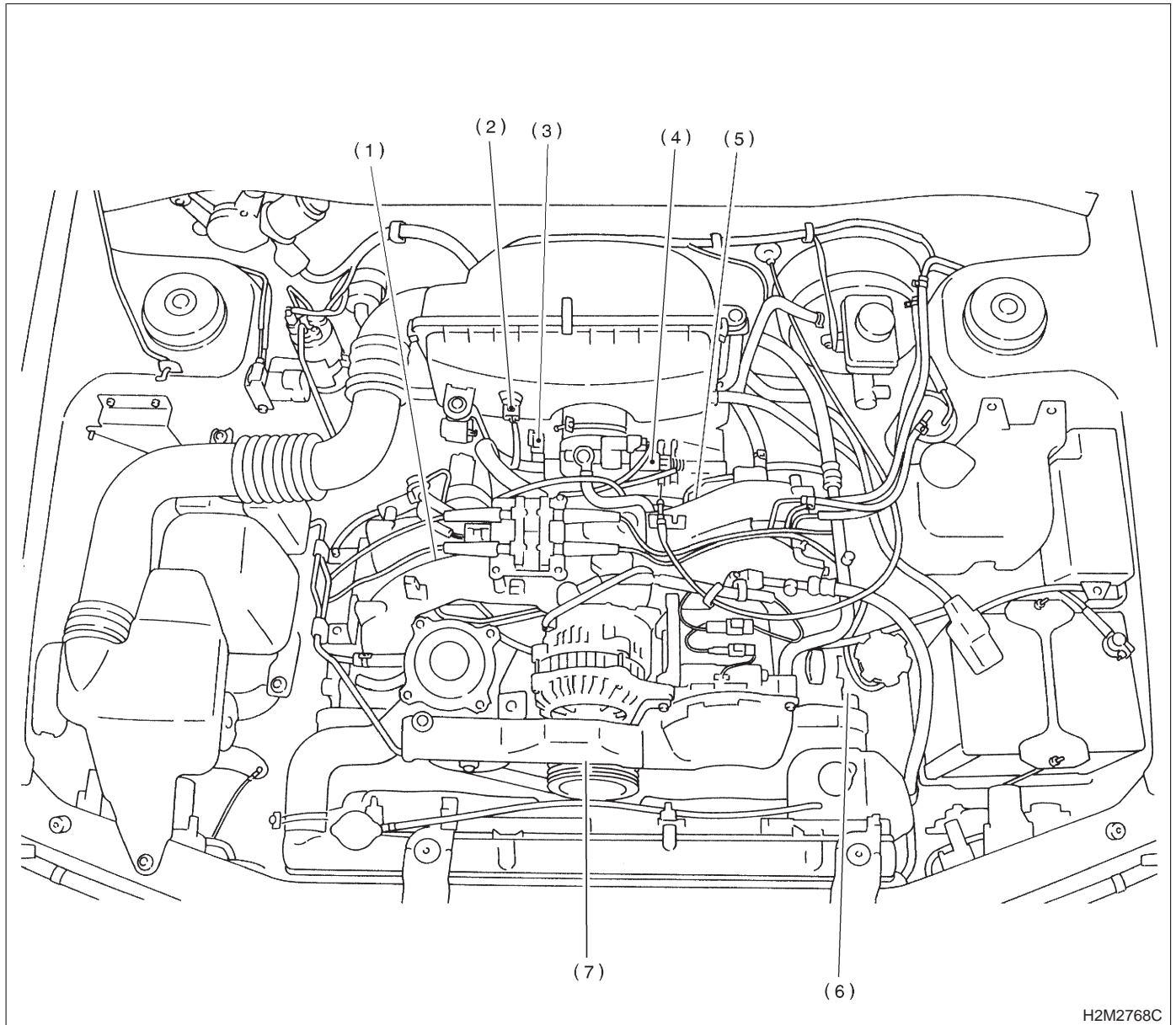


S2M0259D



H2M2446D

2. SENSOR



H2M2768C

- (1) Engine coolant temperature sensor
- (2) Intake air temperature sensor

- (3) Throttle position sensor
- (4) Intake manifold pressure sensor
- (5) Knock sensor

- (6) Camshaft position sensor
- (7) Crankshaft position sensor

ON-BOARD DIAGNOSTICS II SYSTEM

[T2A2] 2-7

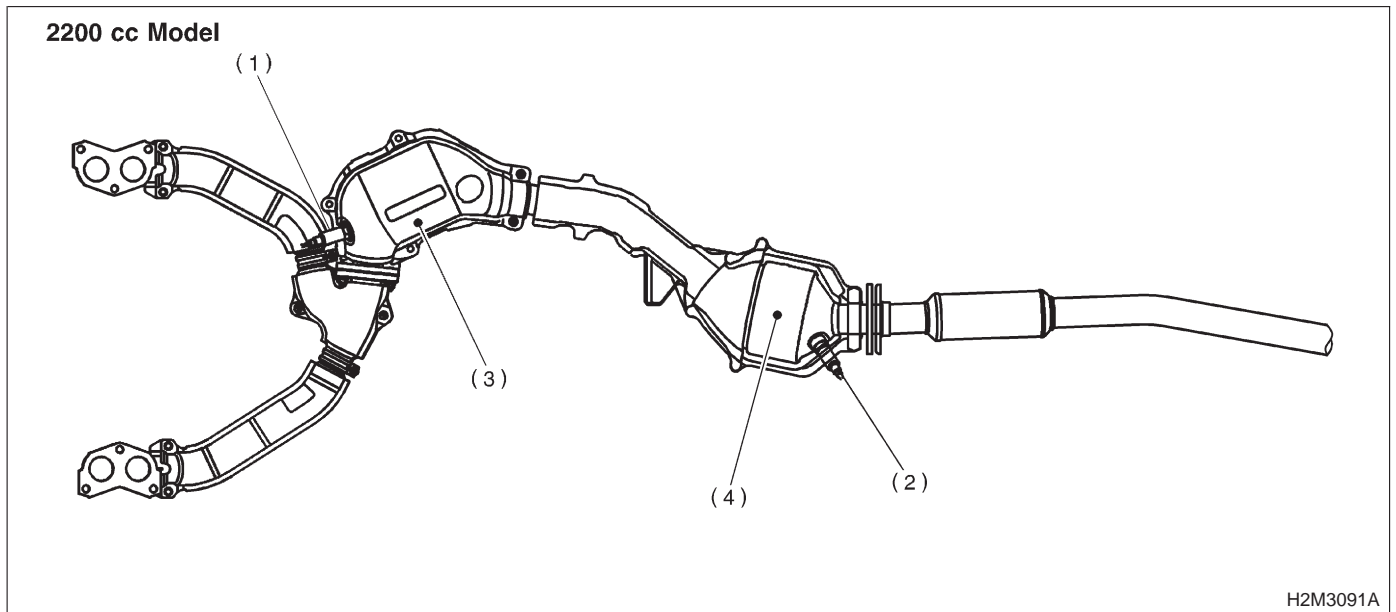
2. Electrical Components Location

 <p>(1)</p>	 <p>(2)</p>
<p>H2M3229A</p>	<p>B2M2250A</p>
 <p>(3)</p>	 <p>(4)</p>
<p>B2M2251A</p>	<p>B2M2252A</p>
 <p>(5)</p>	 <p>(6)</p>
<p>B2M2241A</p>	<p>B2M2242A</p>
 <p>(7)</p>	<p>SUBARU.</p>
<p>B2M0213J</p>	

2-7 [T2A2]

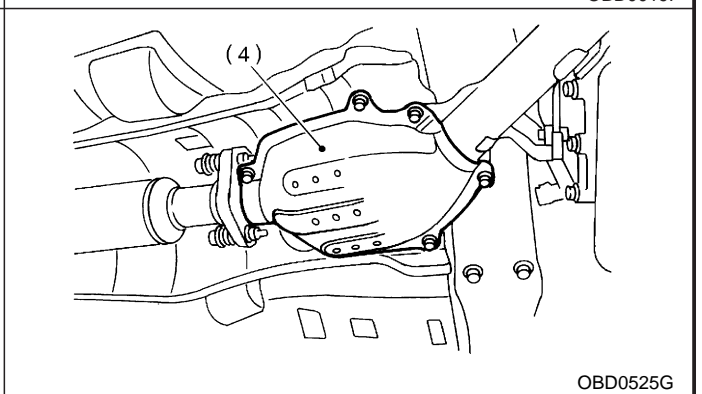
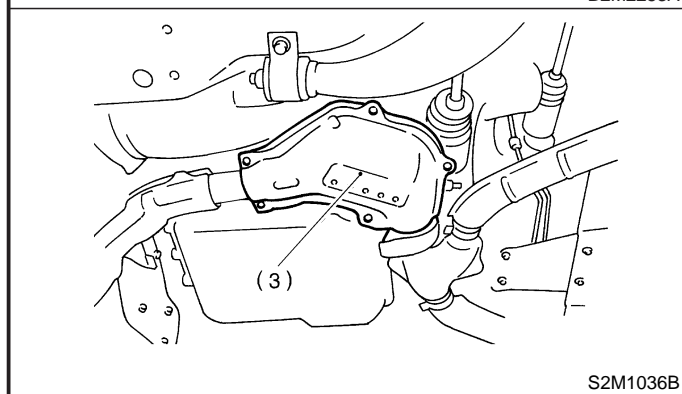
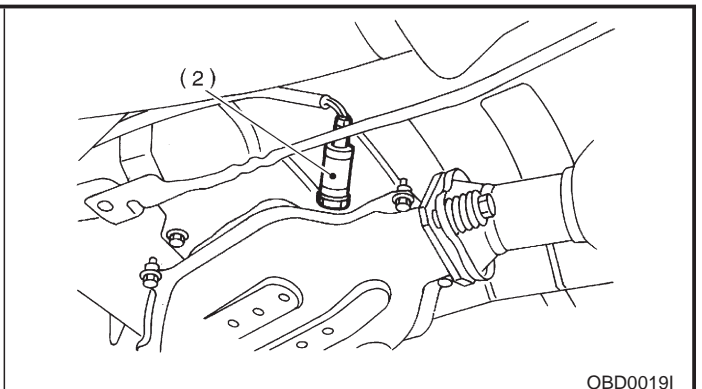
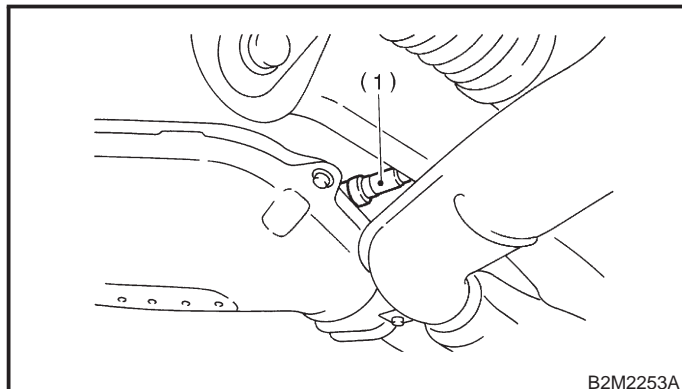
ON-BOARD DIAGNOSTICS II SYSTEM

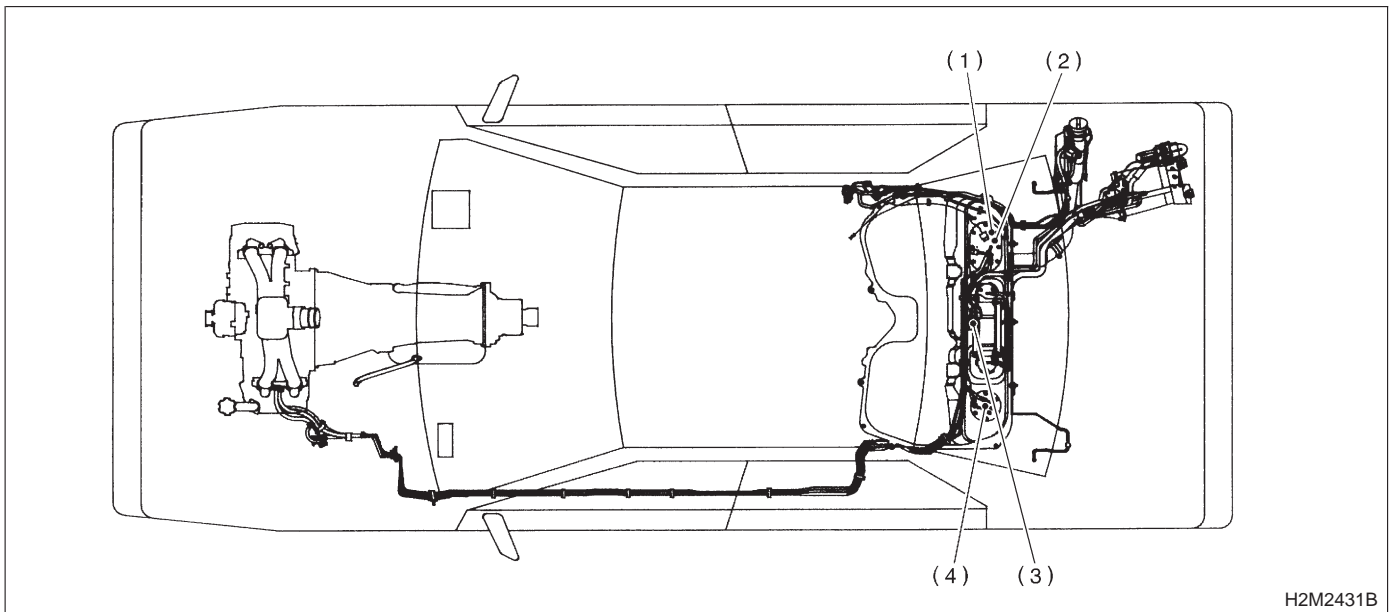
2. Electrical Components Location



- (1) Front oxygen (A/F) sensor
- (2) Rear oxygen sensor

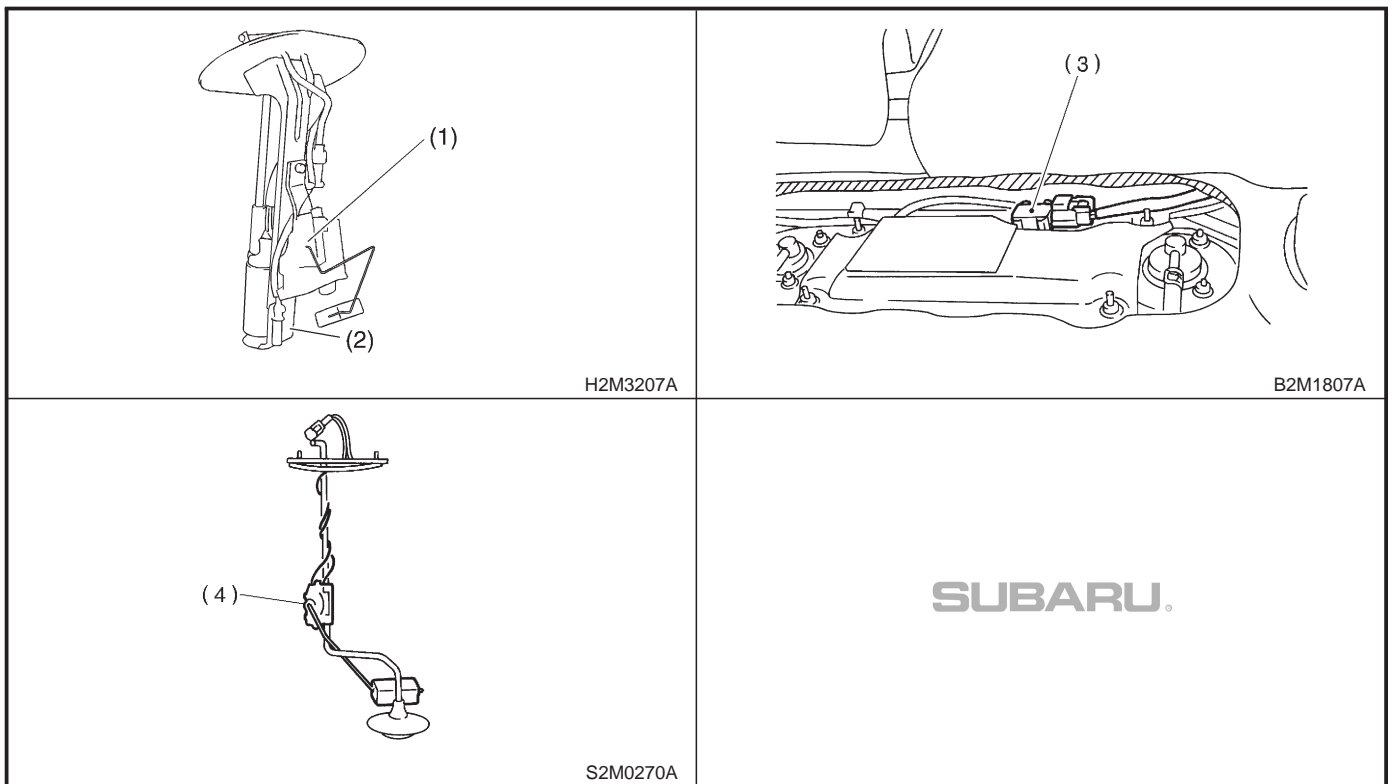
- (3) Front catalytic converter
- (4) Rear catalytic converter



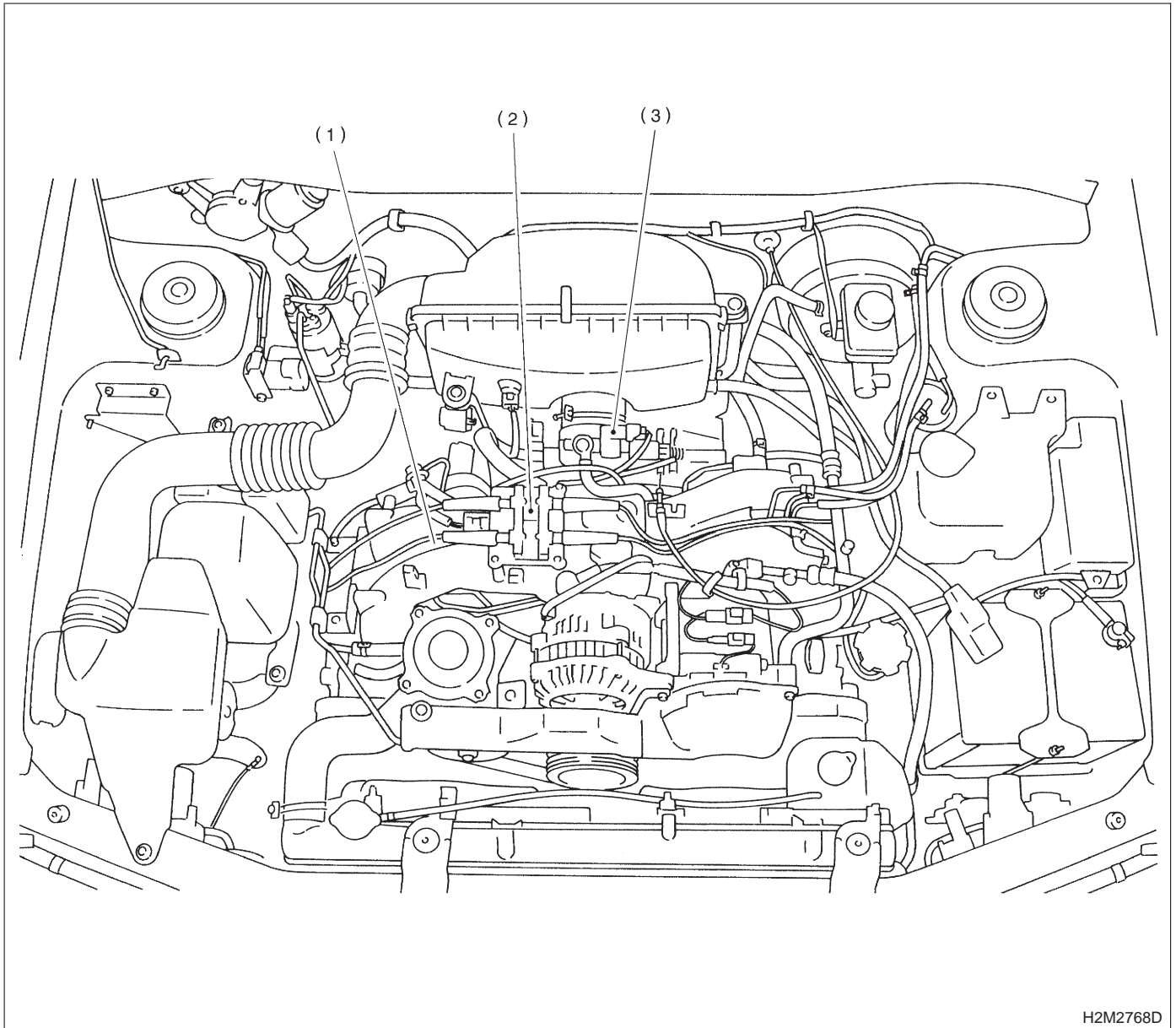


- (1) Fuel level sensor
- (2) Fuel temperature sensor

- (3) Fuel tank pressure sensor
- (4) Fuel sub level sensor



3. SOLENOID VALVE, EMISSION CONTROL SYSTEM PARTS AND IGNITION SYSTEM PARTS



H2M2768D

(1) Purge control solenoid valve

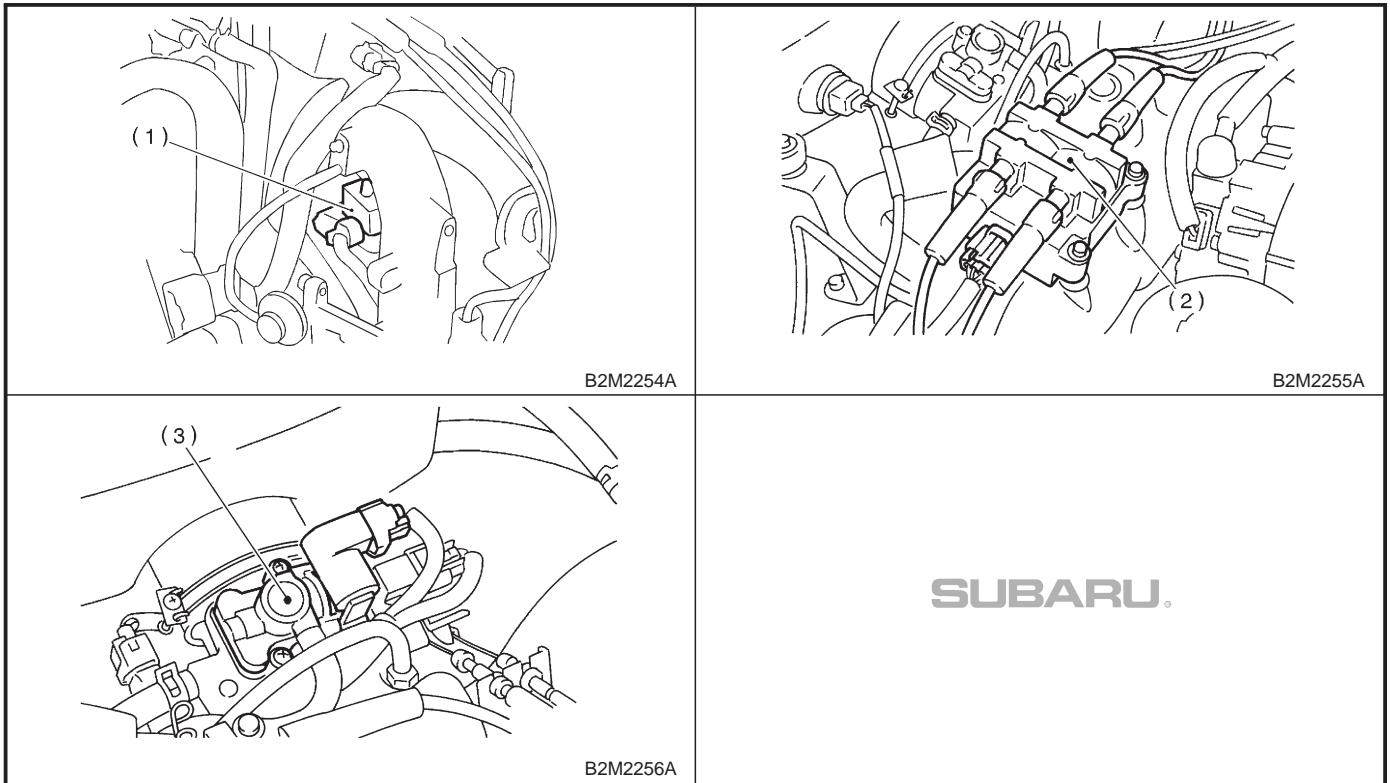
(2) Ignition coil & ignitor ASSY

(3) Idle air control solenoid valve

ON-BOARD DIAGNOSTICS II SYSTEM

[T2A3] 2-7

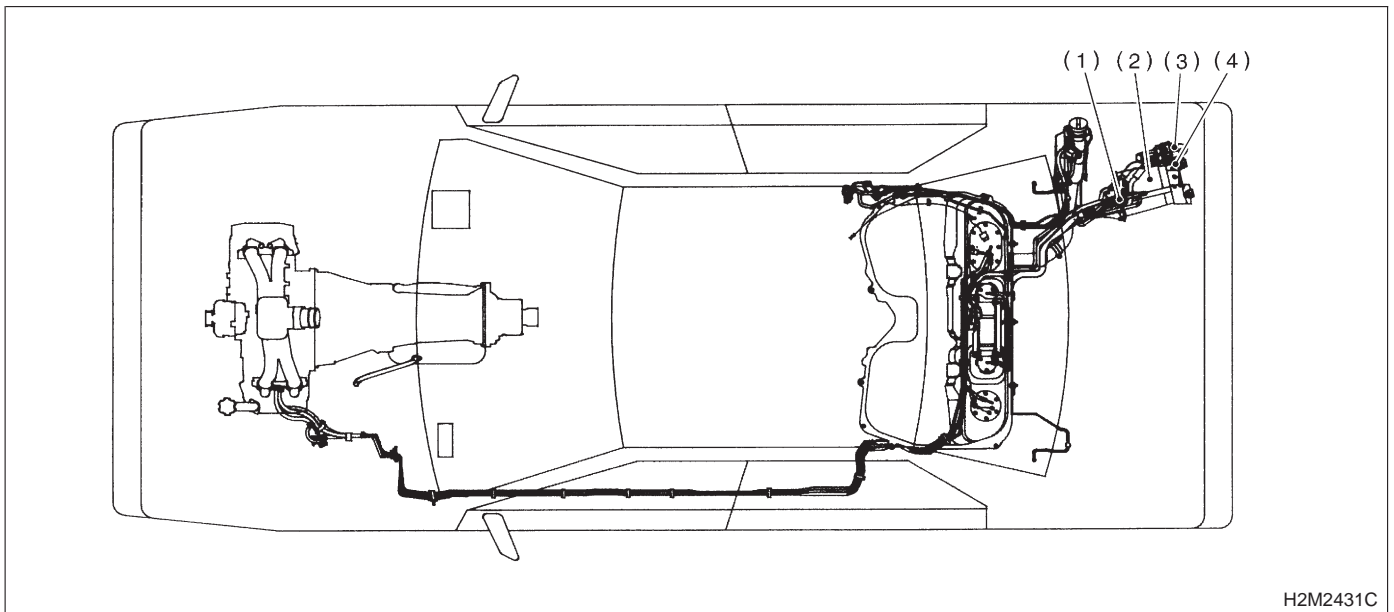
2. Electrical Components Location



2-7 [T2A3]

ON-BOARD DIAGNOSTICS II SYSTEM

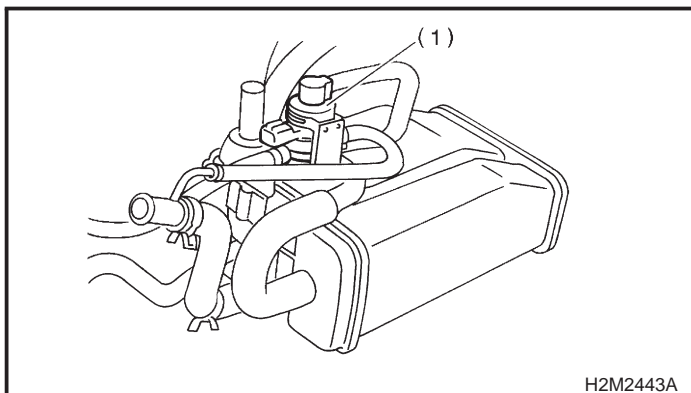
2. Electrical Components Location



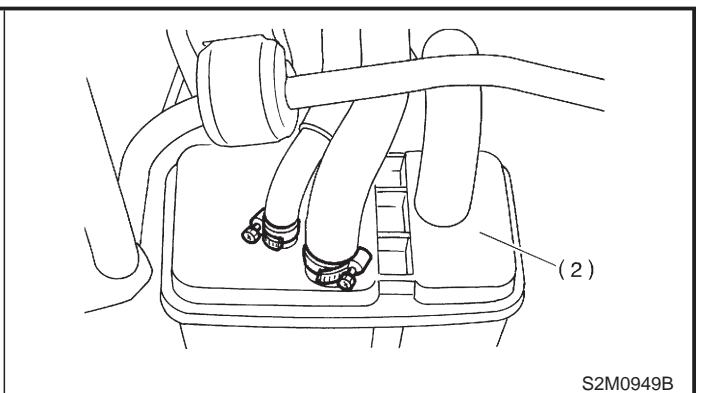
H2M2431C

(1) Pressure control solenoid valve
(2) Canister

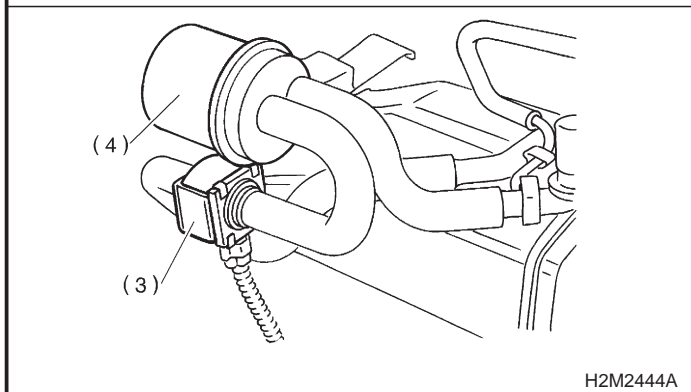
(3) Drain valve
(4) Air filter



H2M2443A



S2M0949B



H2M2444A

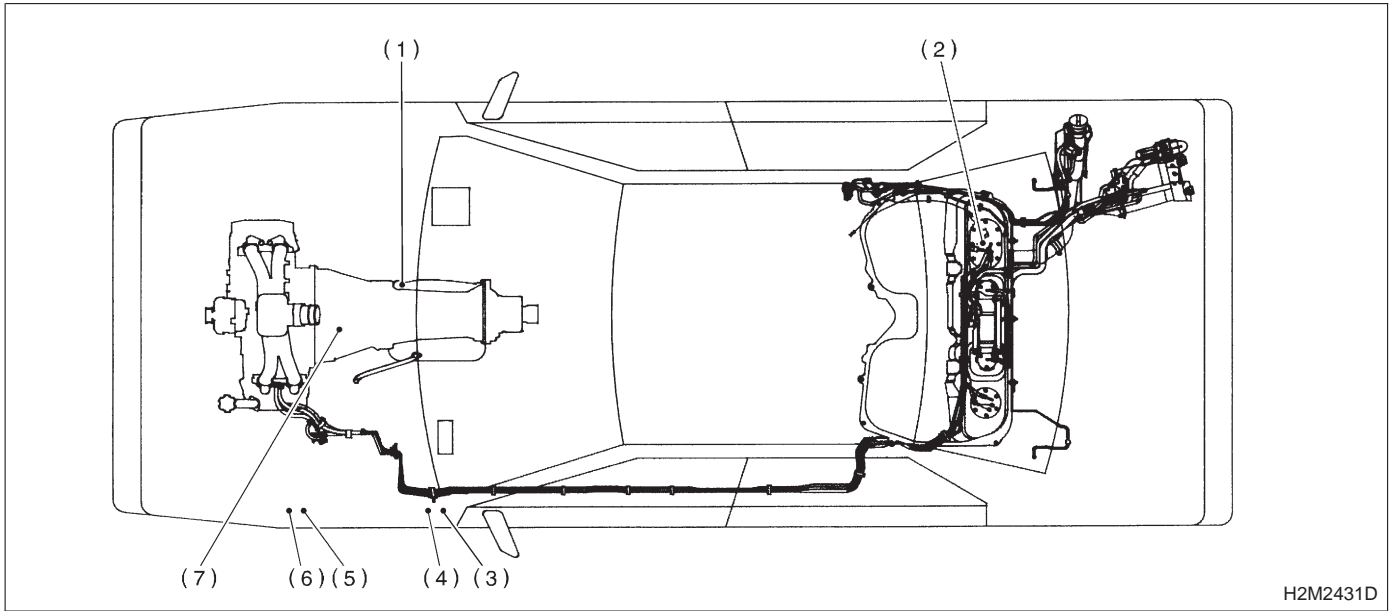
SUBARU.

MEMO:

2-7 [T2A3]

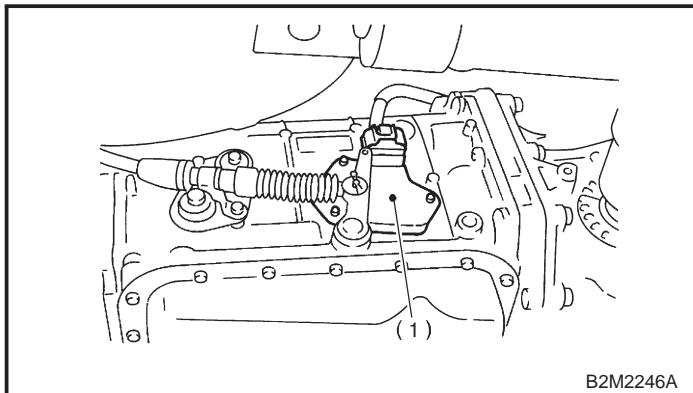
ON-BOARD DIAGNOSTICS II SYSTEM

2. Electrical Components Location

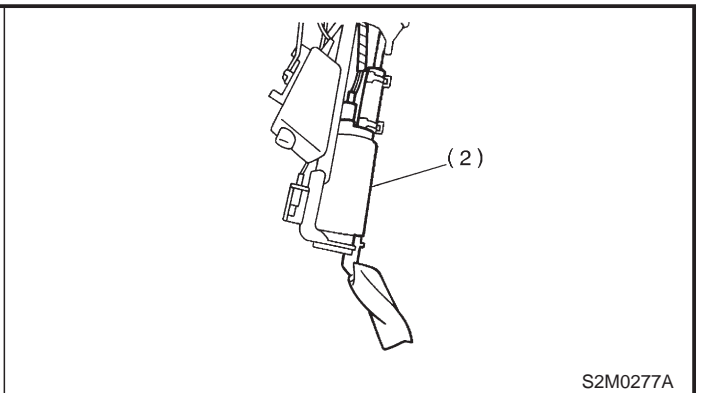


H2M2431D

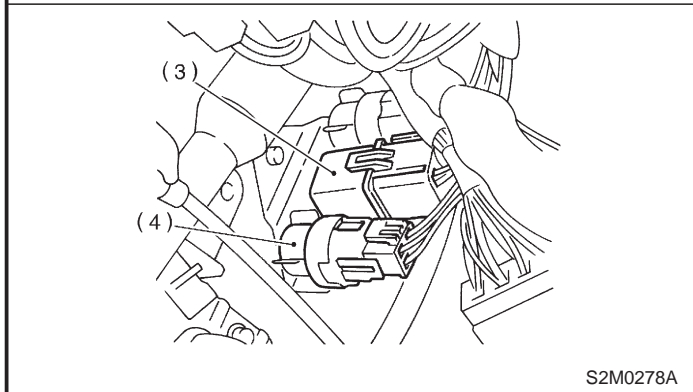
- | | | |
|---|-----------------------------|----------------------------|
| (1) Inhibitor switch (AT vehicles only) | (3) Main relay | (6) Radiator sub fan relay |
| (2) Fuel pump | (4) Fuel pump relay | (7) Starter |
| | (5) Radiator main fan relay | |



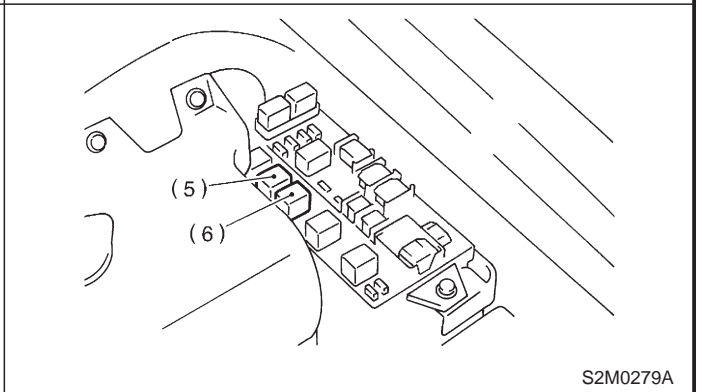
B2M2246A



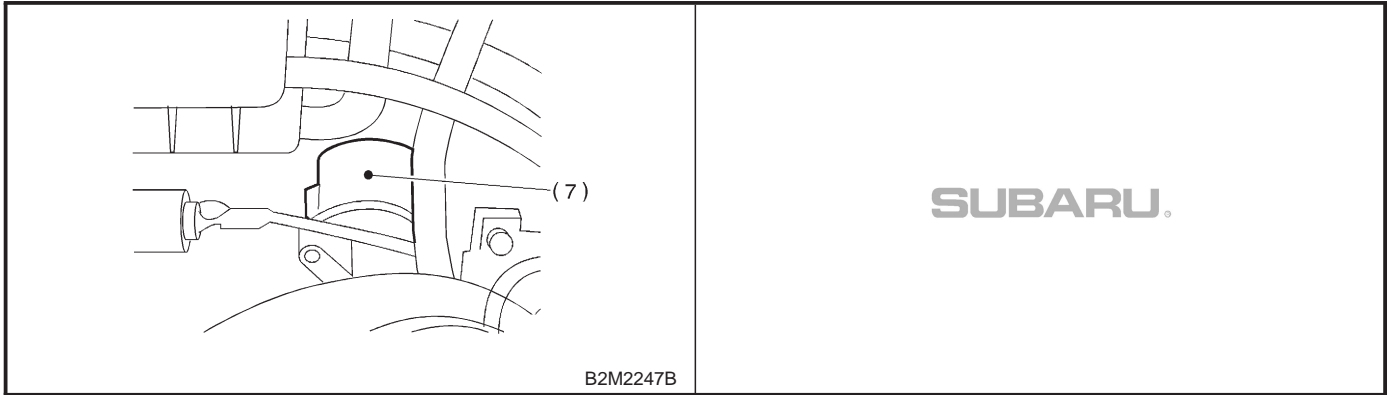
S2M0277A



S2M0278A

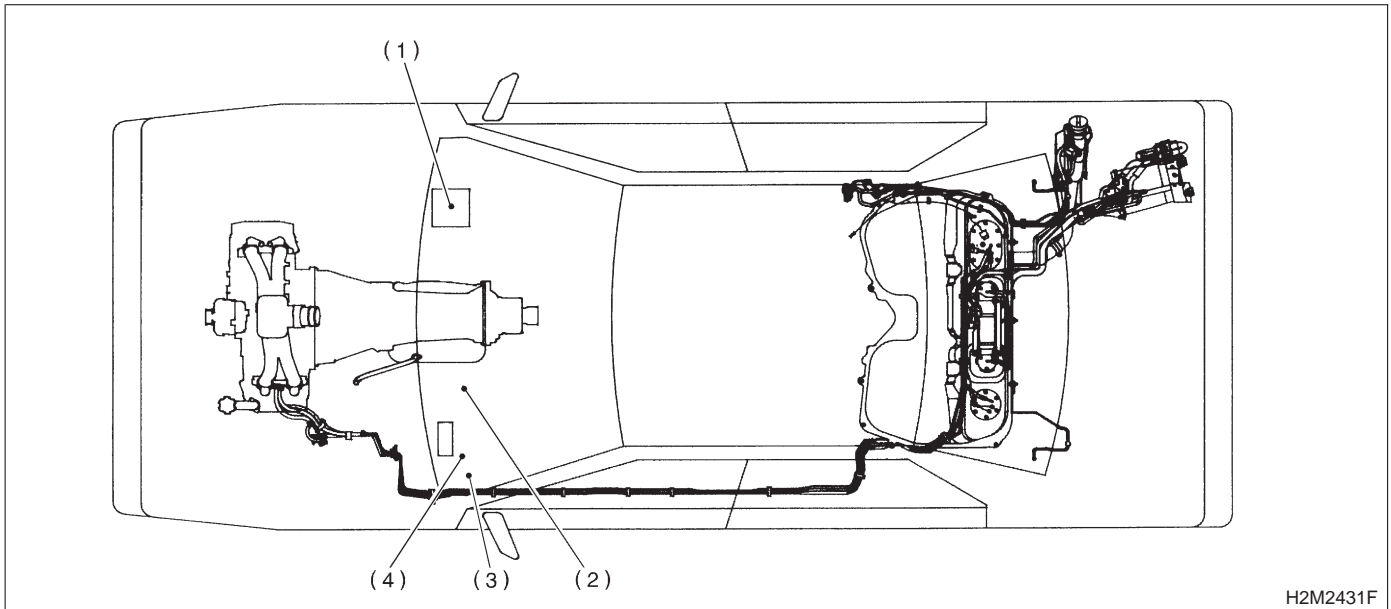


S2M0279A



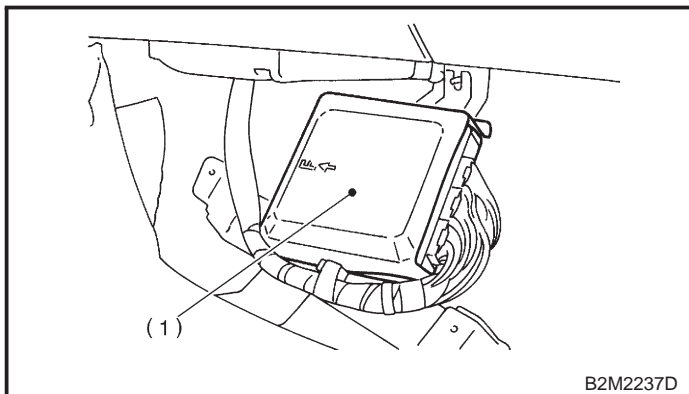
B: ENGINE (EXCEPT 2200 cc CALIFORNIA SPEC. VEHICLES)

1. MODULE

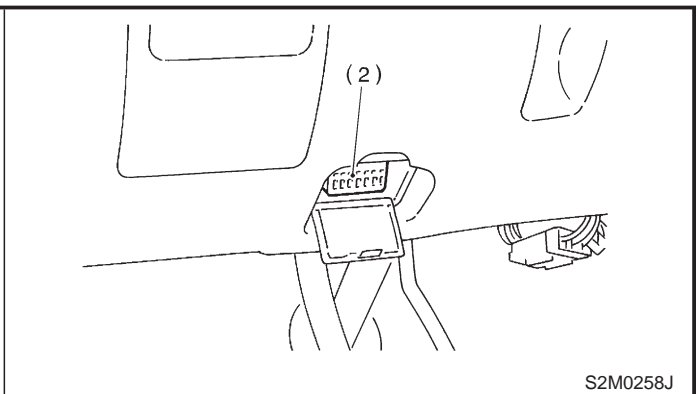


H2M2431F

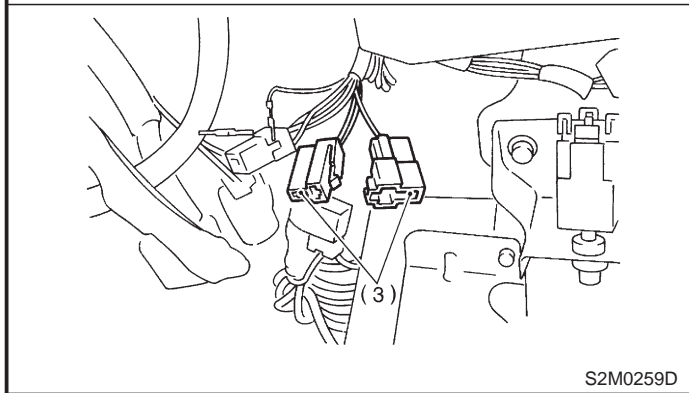
- | | |
|--|---|
| (1) Engine control module (ECM) | (3) Test mode connector |
| (2) Data link connector (for Subaru Select Monitor and OBD-II general scan tool) | (4) CHECK ENGINE malfunction indicator lamp (MIL) |



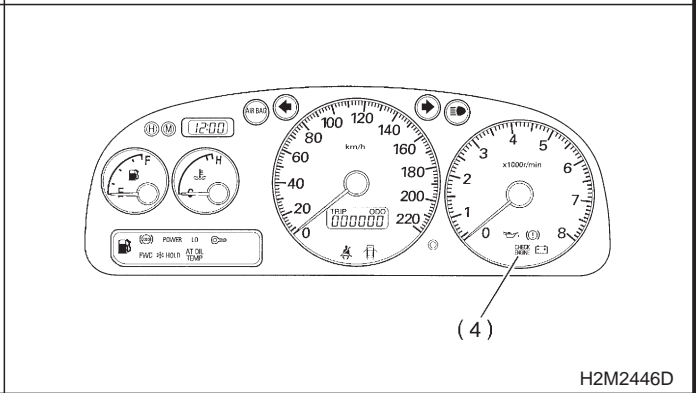
B2M2237D



S2M0258J



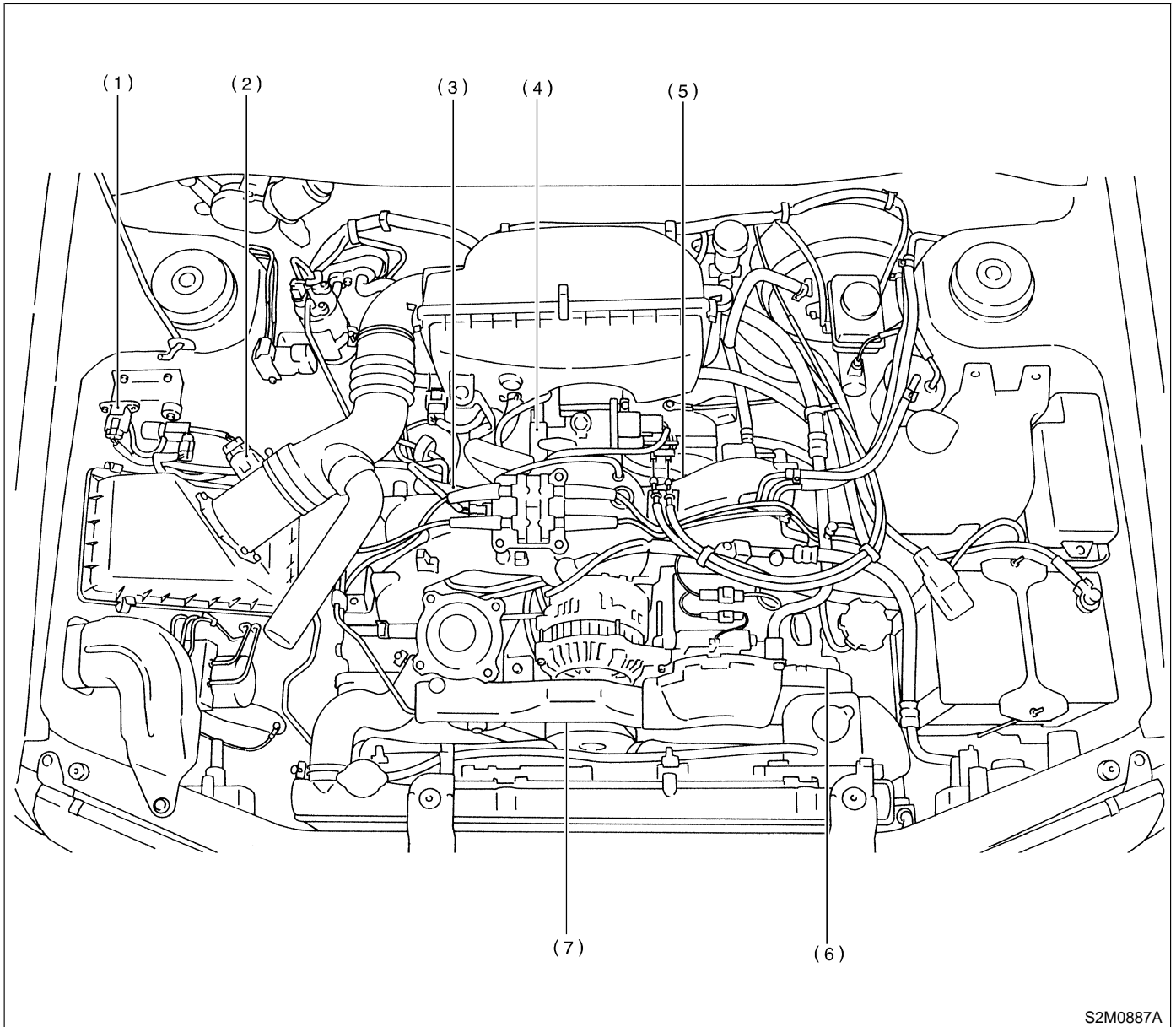
S2M0259D



H2M2446D

MEMO:

2. SENSOR



S2M0887A

- | | |
|---------------------------------------|--------------------------------|
| (1) Pressure sensor | (4) Throttle position sensor |
| (2) Mass air flow sensor | (5) Knock sensor |
| (3) Engine coolant temperature sensor | (6) Camshaft position sensor |
| | (7) Crankshaft position sensor |

ON-BOARD DIAGNOSTICS II SYSTEM

[T2B2] 2-7

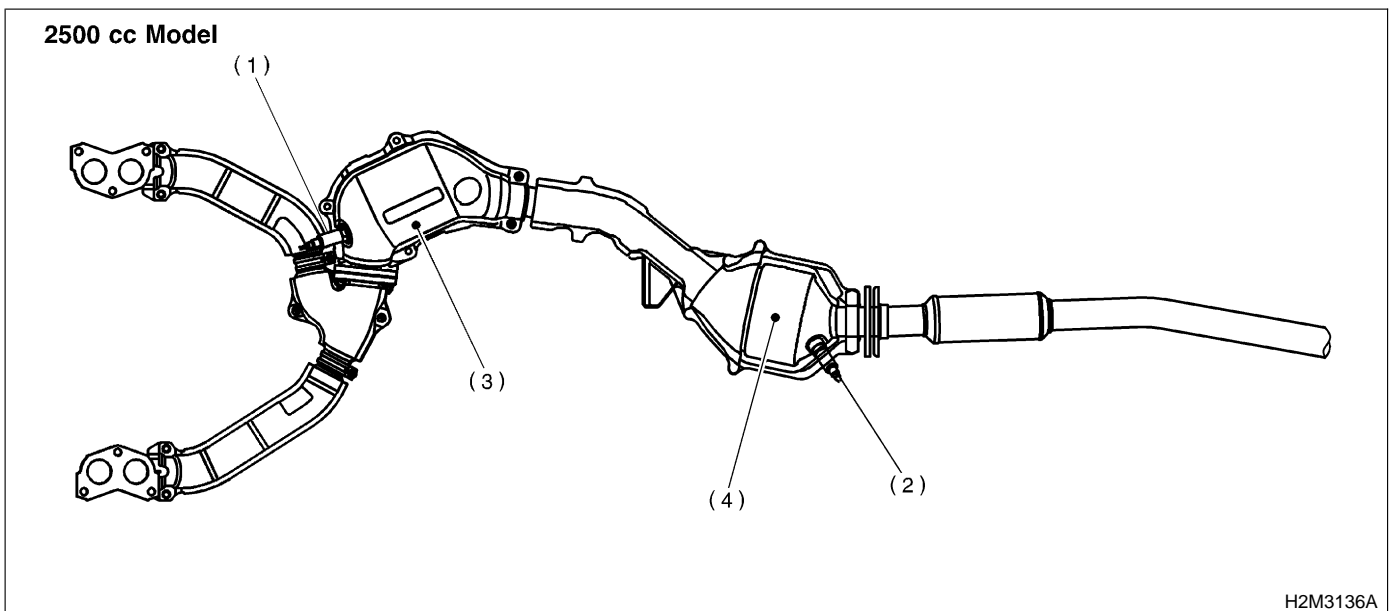
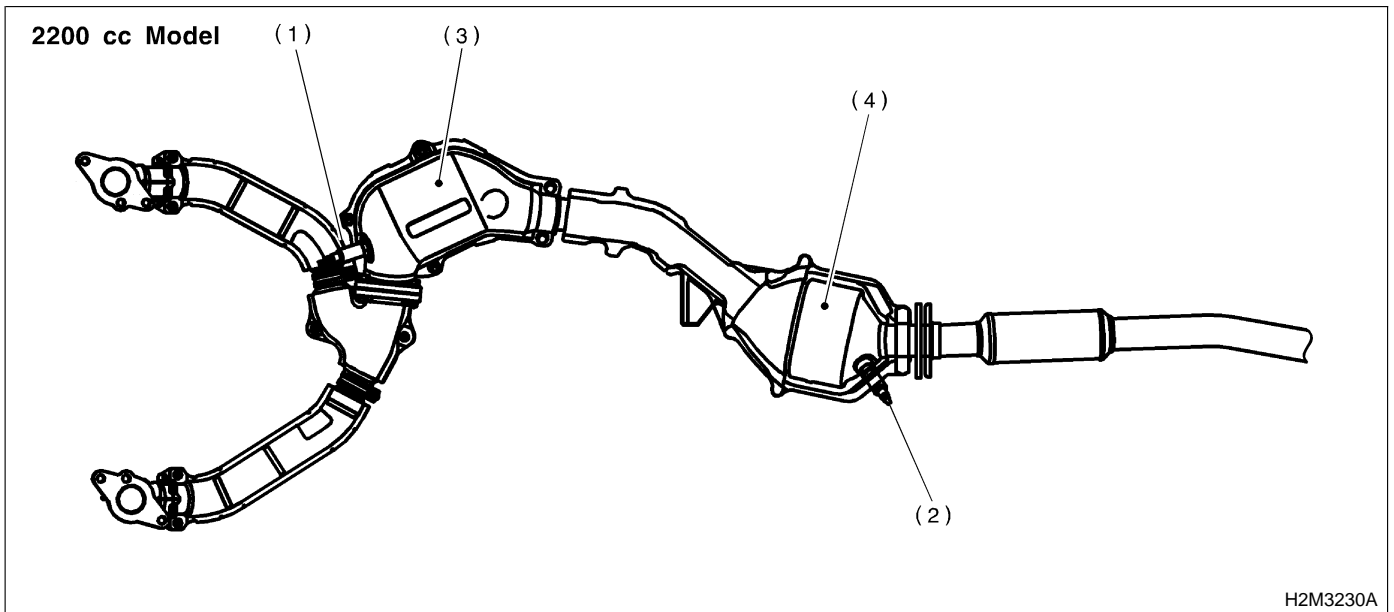
2. Electrical Components Location

<p>(1)</p> <p>B2M0776B</p>	<p>(2)</p> <p>B2M2239A</p>
<p>(3)</p> <p>H2M3229B</p>	<p>(4)</p> <p>B2M2240A</p>
<p>(5)</p> <p>B2M2241A</p>	<p>(6)</p> <p>B2M2242A</p>
<p>(7)</p> <p>B2M0213J</p>	<p>SUBARU.</p>

2-7 [T2B2]

ON-BOARD DIAGNOSTICS II SYSTEM

2. Electrical Components Location



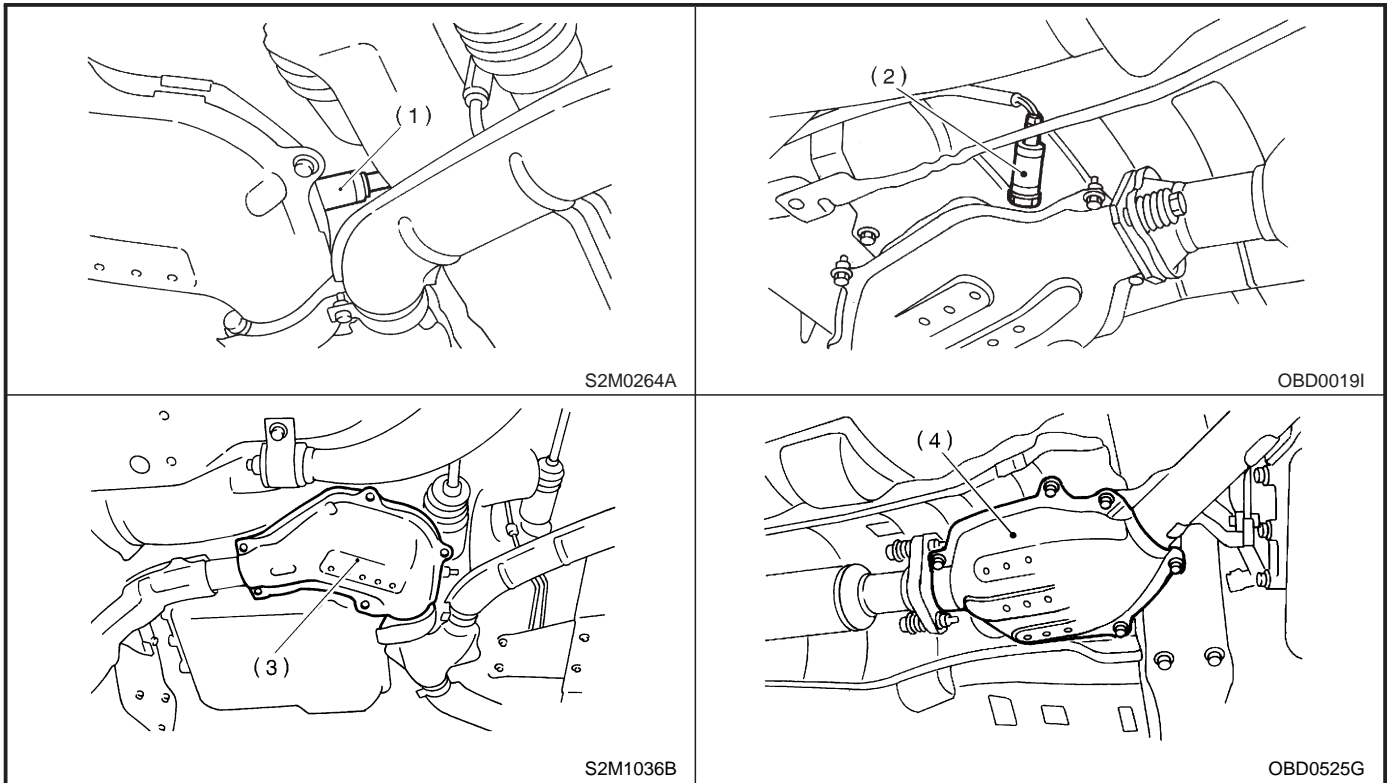
- (1) Front oxygen sensor
- (2) Rear oxygen sensor

- (3) Front catalytic converter
- (4) Rear catalytic converter

ON-BOARD DIAGNOSTICS II SYSTEM

[T2B2] 2-7

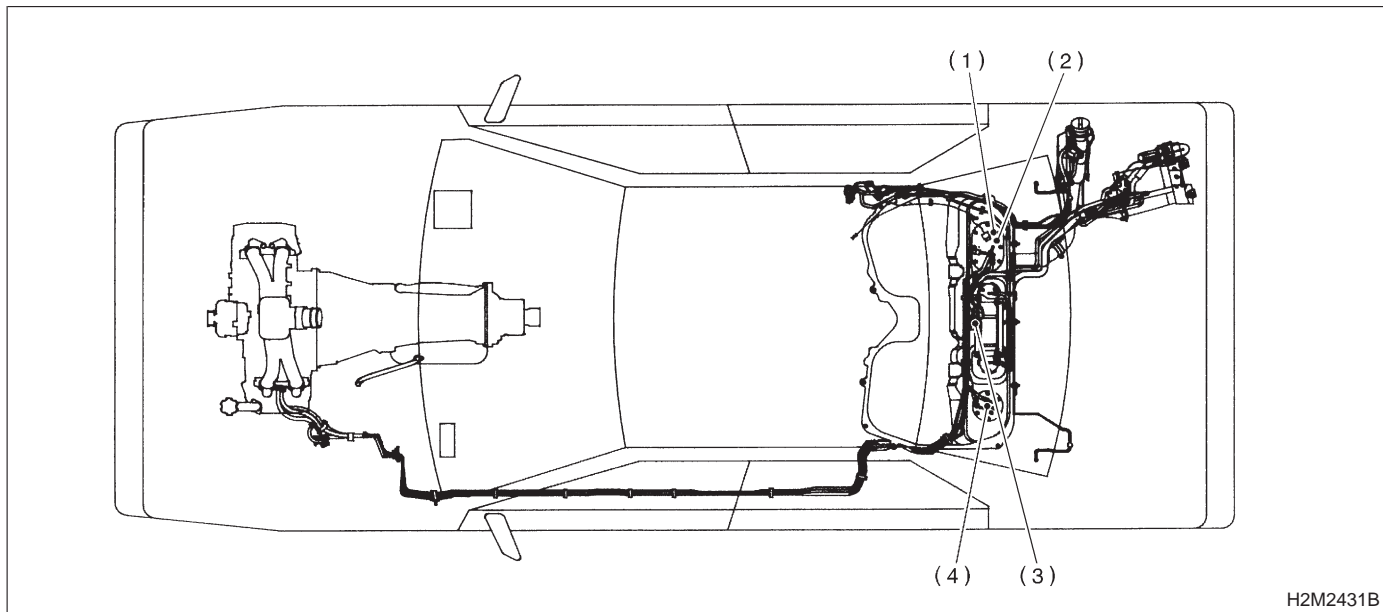
2. Electrical Components Location



2-7 [T2B2]

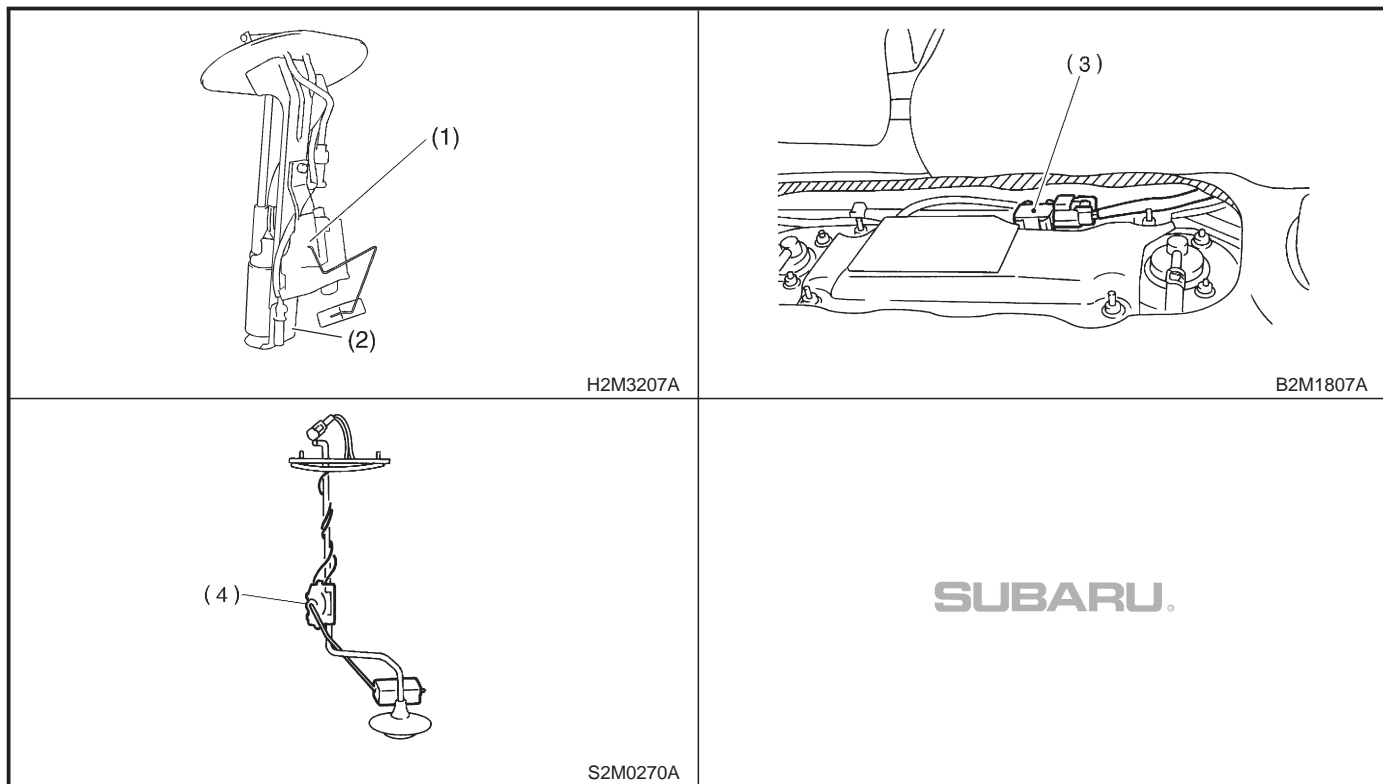
ON-BOARD DIAGNOSTICS II SYSTEM

2. Electrical Components Location



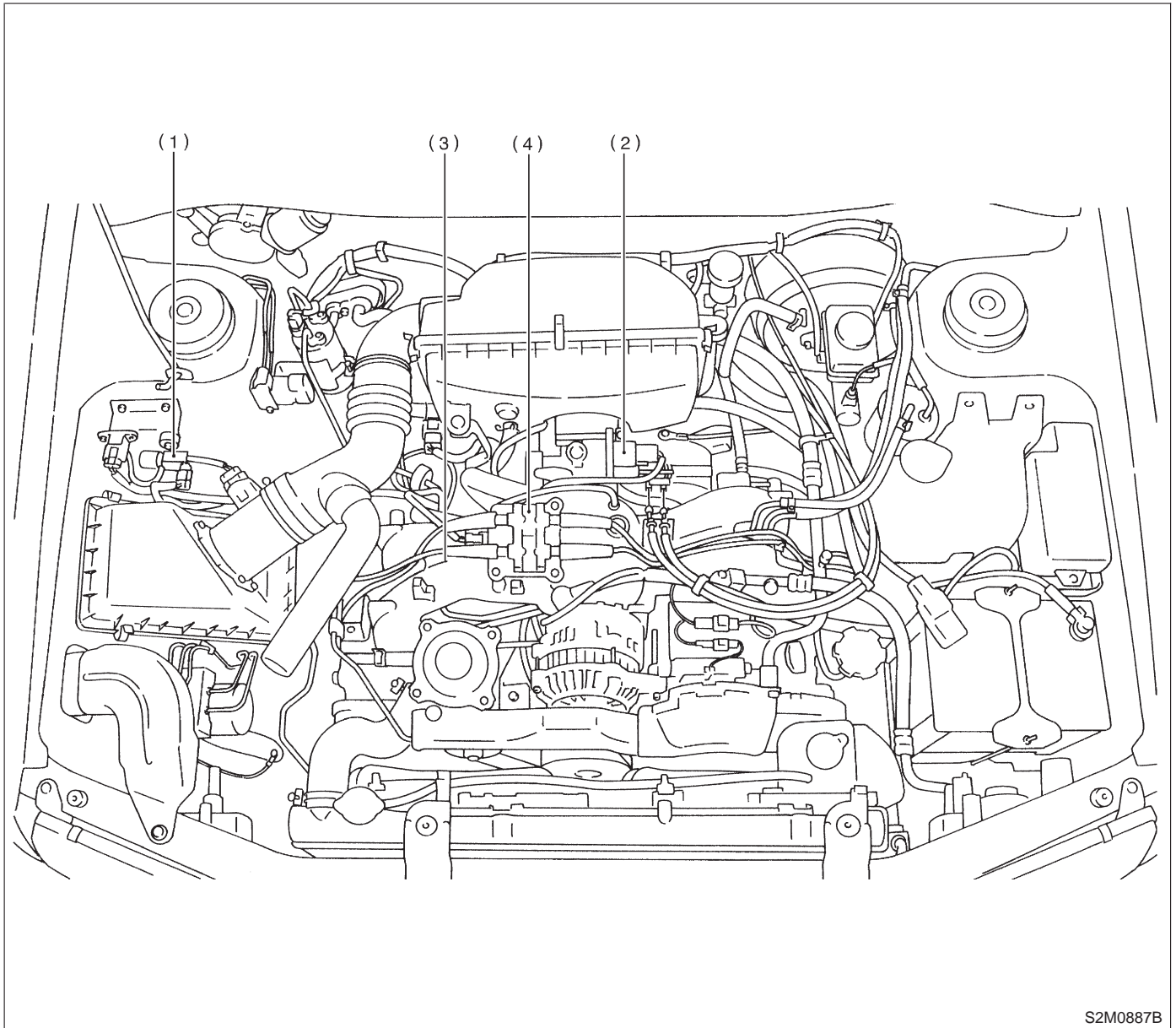
- (1) Fuel level sensor
- (2) Fuel temperature sensor

- (3) Fuel tank pressure sensor
- (4) Fuel sub level sensor



MEMO:

3. SOLENOID VALVE, EMISSION CONTROL SYSTEM PARTS AND IGNITION SYSTEM PARTS



S2M0887B

(1) Pressure sources switching solenoid valve

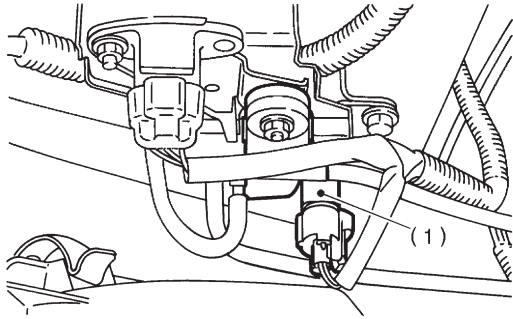
(2) Idle air control solenoid valve
(3) Purge control solenoid valve

(4) Ignition coil & ignitor ASSY

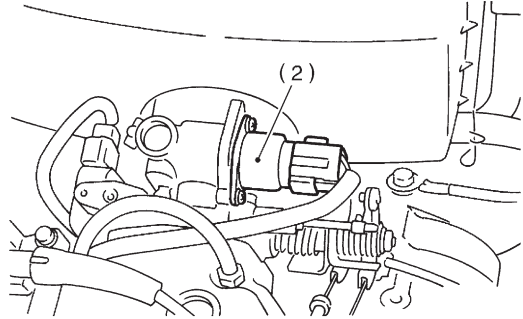
ON-BOARD DIAGNOSTICS II SYSTEM

[T2B3] 2-7

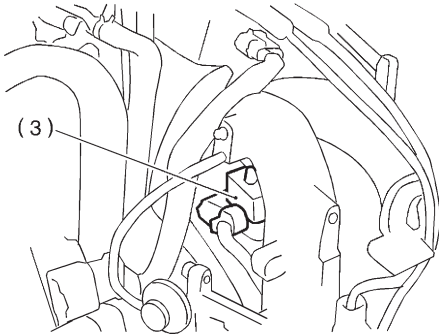
2. Electrical Components Location



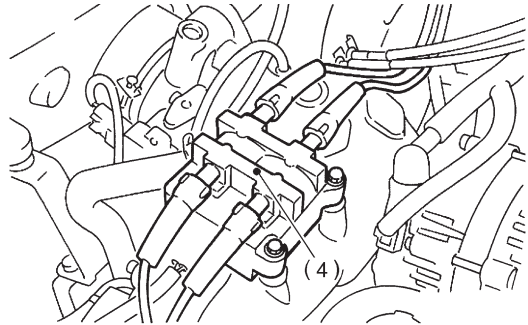
B2M0777B



B2M2243A



B2M2254B

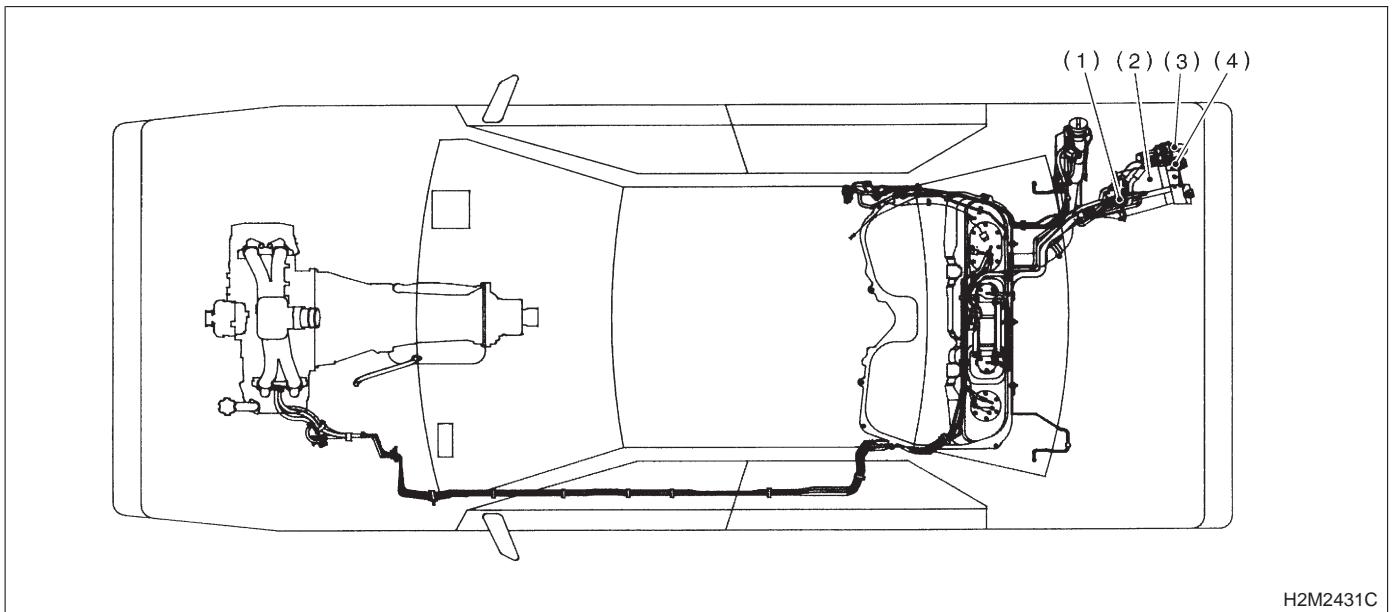


B2M2245A

2-7 [T2B3]

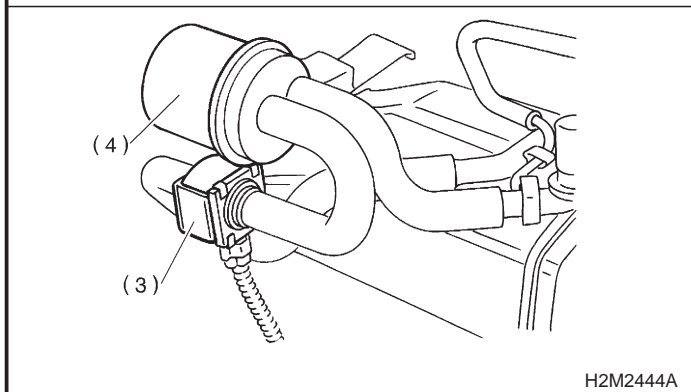
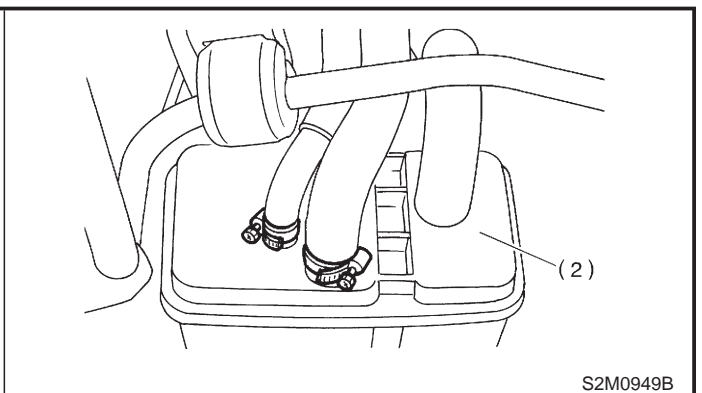
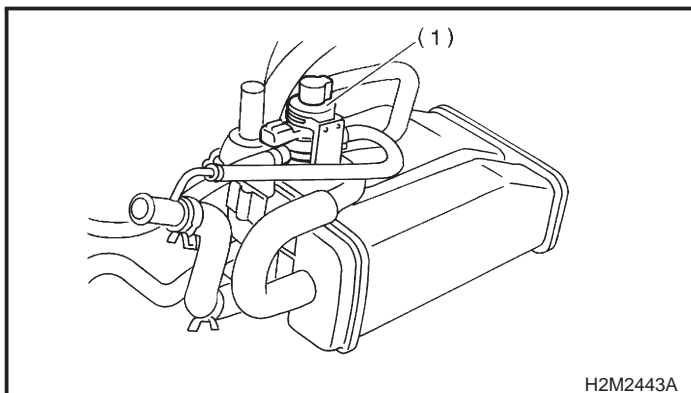
ON-BOARD DIAGNOSTICS II SYSTEM

2. Electrical Components Location



(1) Pressure control solenoid valve
(2) Canister

(3) Drain valve
(4) Air filter



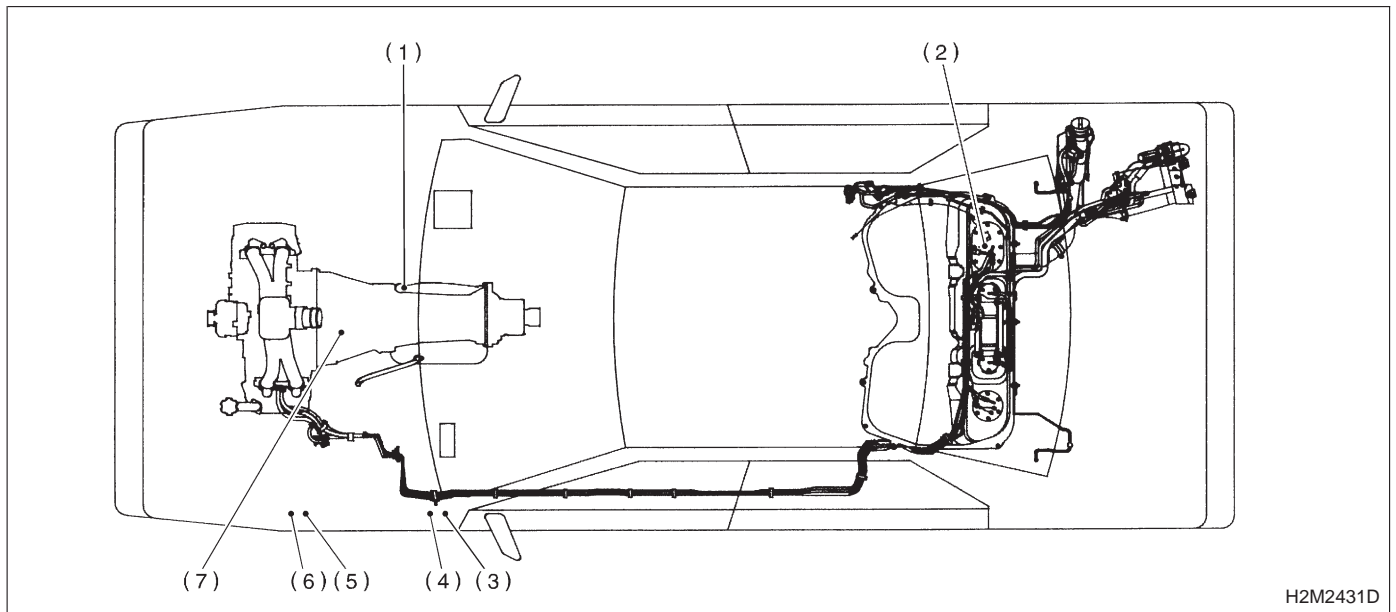
SUBARU.

MEMO:

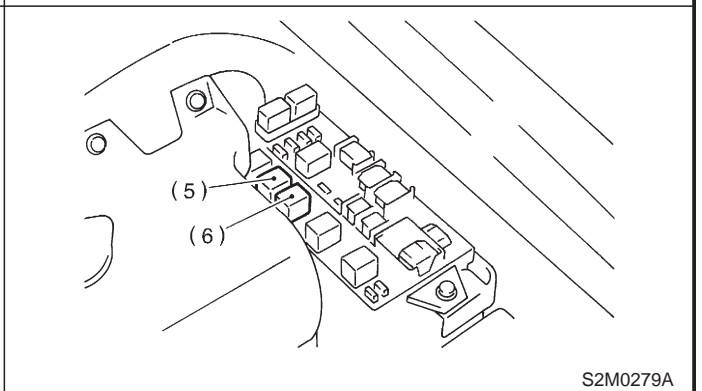
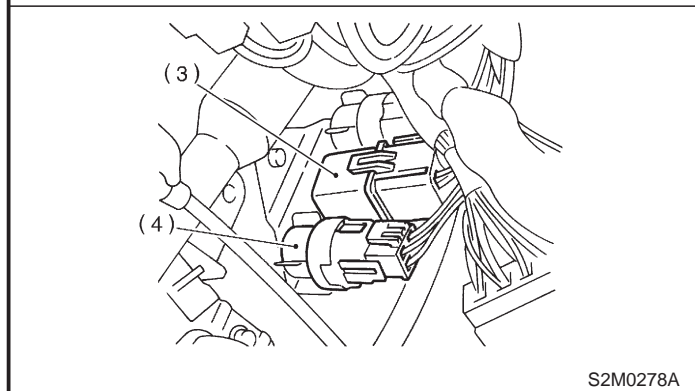
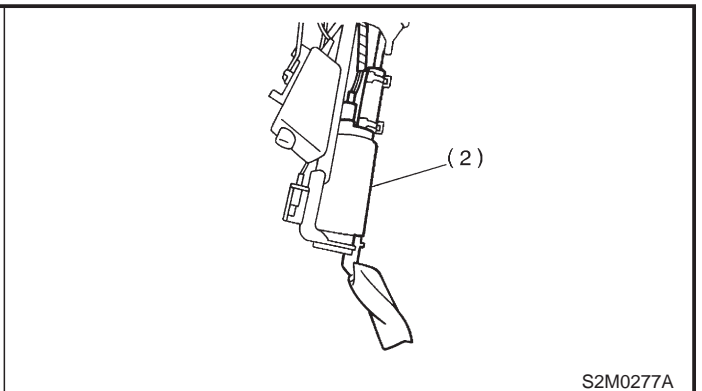
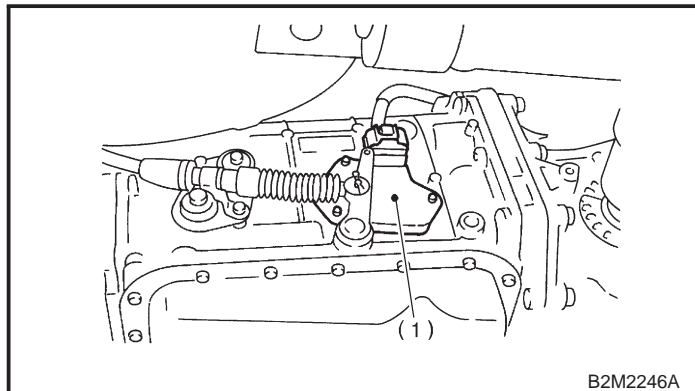
2-7 [T2B3]

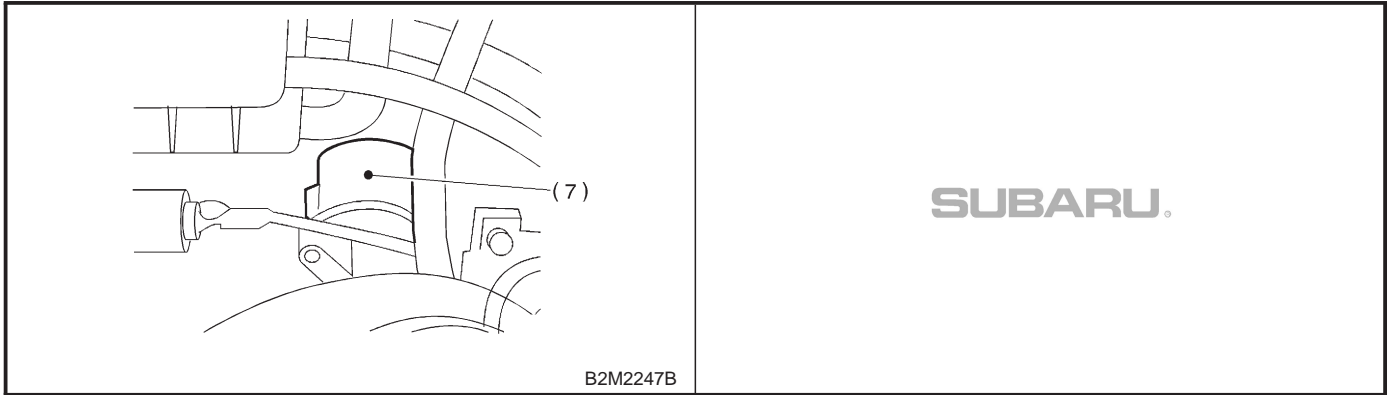
ON-BOARD DIAGNOSTICS II SYSTEM

2. Electrical Components Location



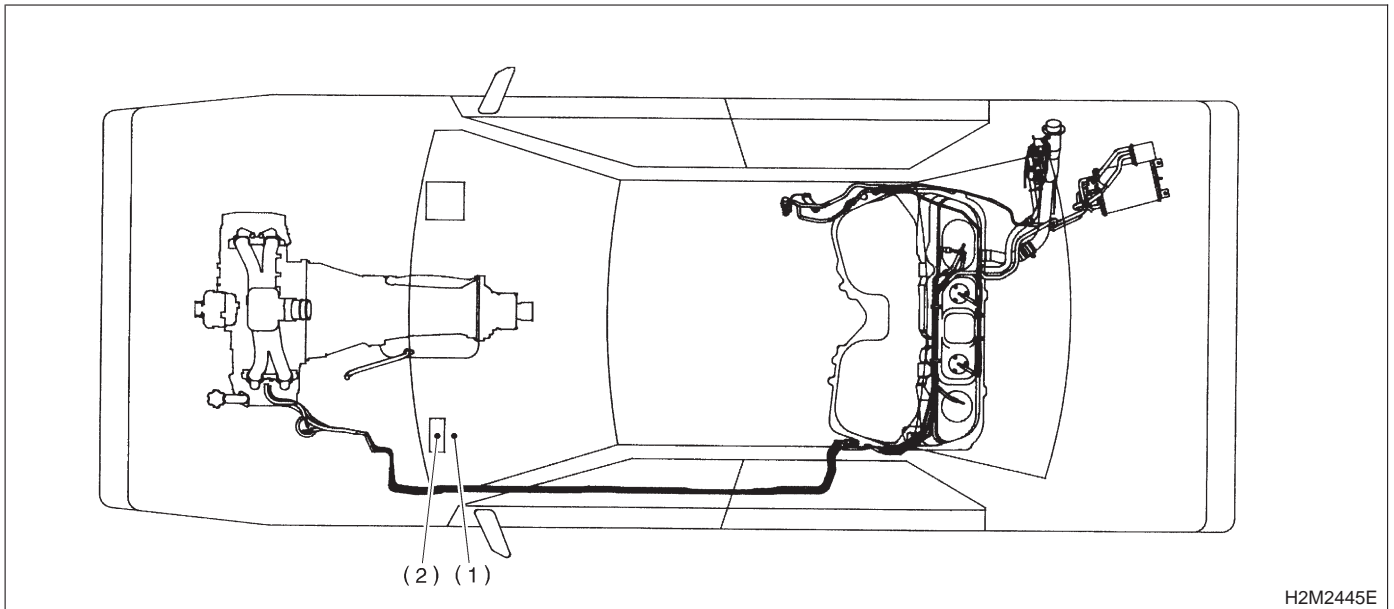
- | | | |
|---|-----------------------------|----------------------------|
| (1) Inhibitor switch (AT vehicles only) | (3) Main relay | (6) Radiator sub fan relay |
| (2) Fuel pump | (4) Fuel pump relay | (7) Starter |
| | (5) Radiator main fan relay | |





C: TRANSMISSION

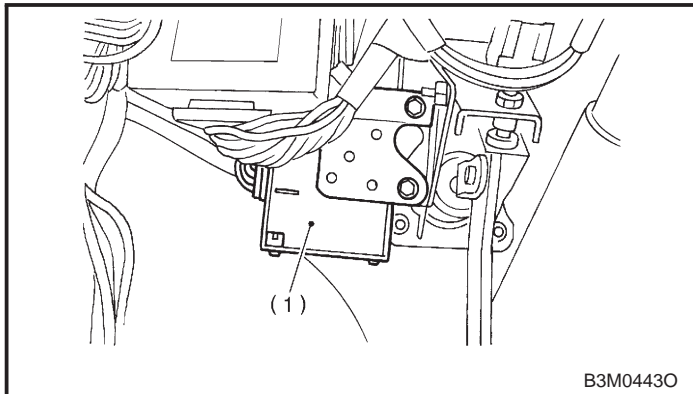
1. MODULE



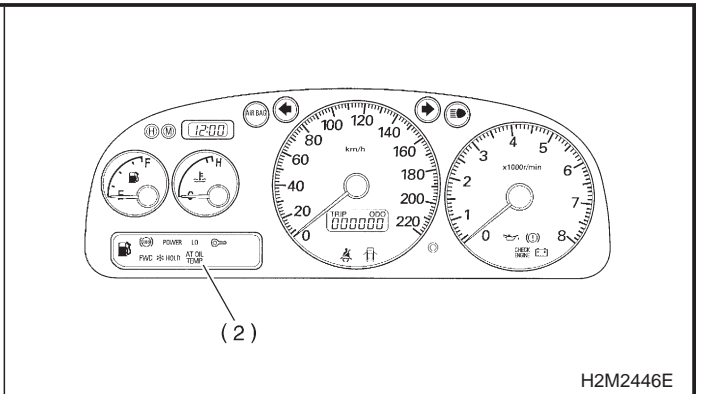
H2M2445E

(1) Transmission Control Module (TCM) (for AT vehicles)

(2) AT diagnostic indicator light (for AT vehicles)

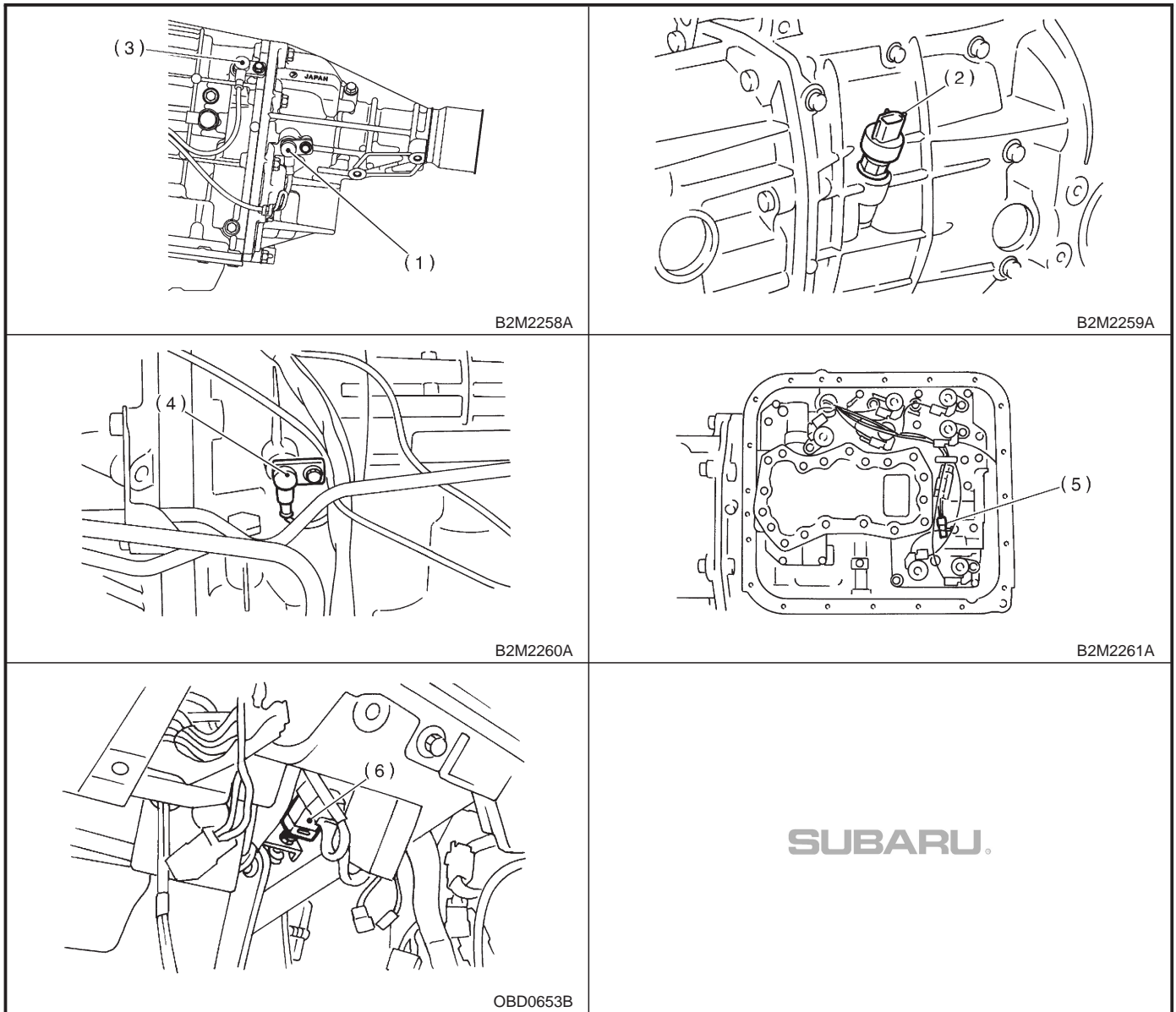


B3M0443O



H2M2446E

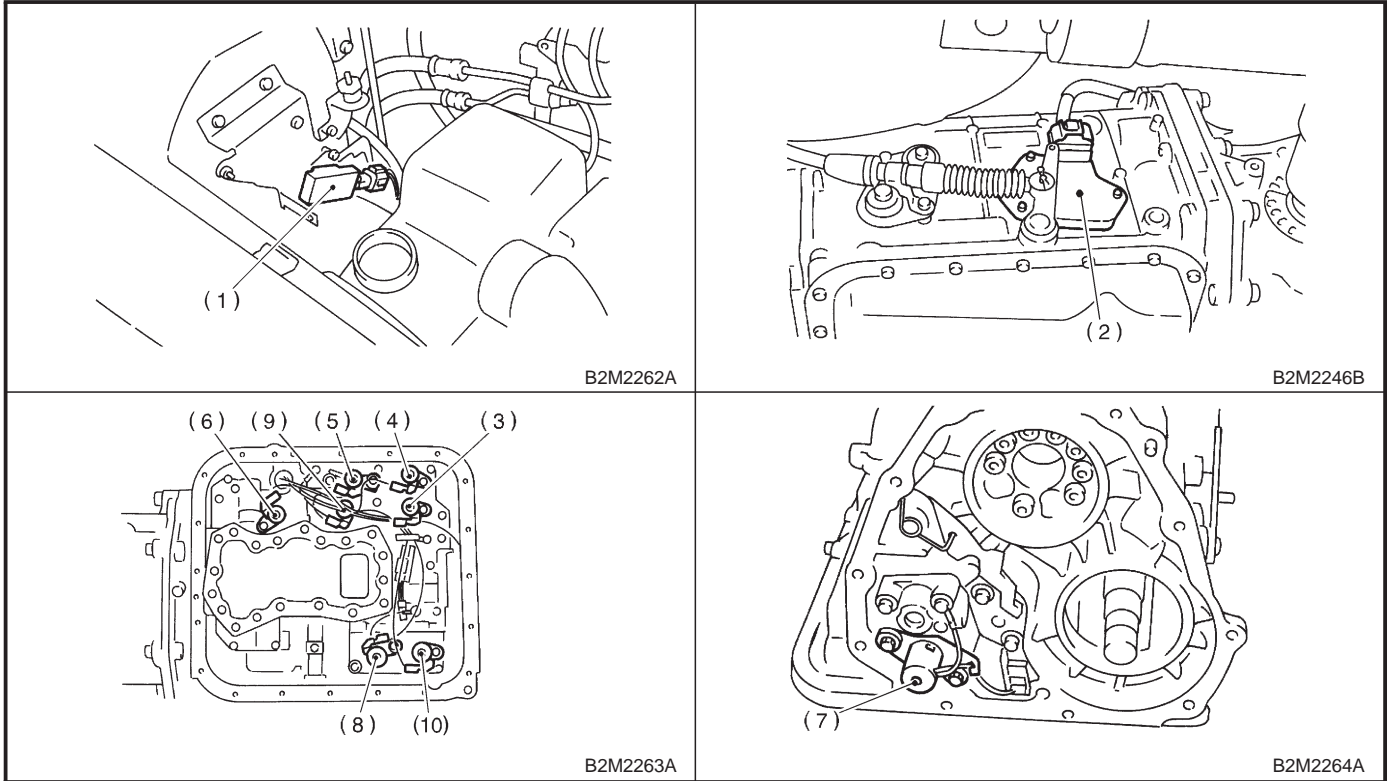
2. SENSOR



- (1) Vehicle speed sensor 1 (for AT AWD vehicles)
- (2) Vehicle speed sensor 2 (for MT vehicles)
- (3) Vehicle speed sensor 2 (for AT AWD vehicles)
- (4) Torque converter turbine speed sensor
- (5) ATF temperature sensor (for AT vehicles)
- (6) Brake light switch

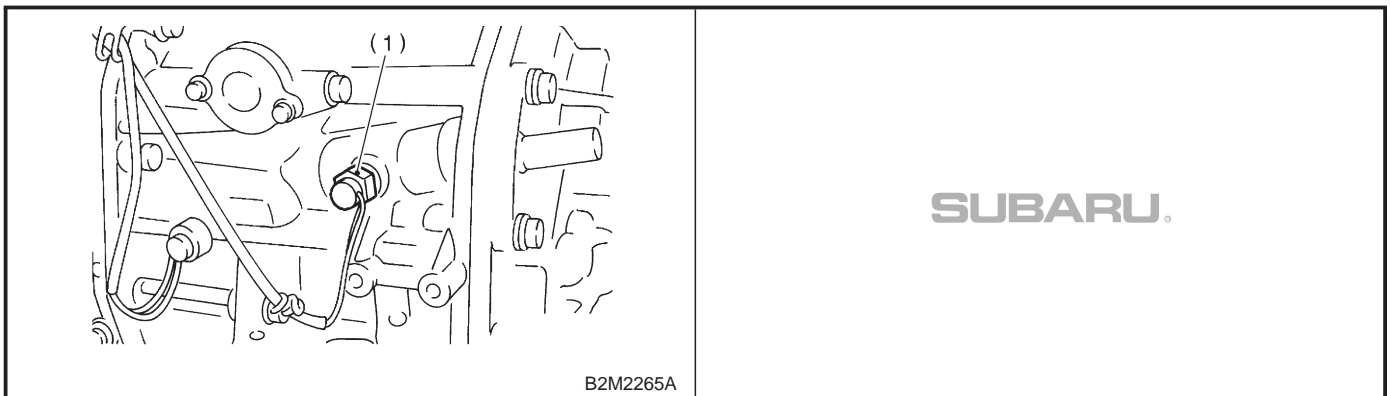
3. SOLENOID VALVE AND RELAY

● For AT vehicles



- (1) Dropping resistor
- (2) Inhibitor switch
- (3) Shift solenoid valve 1
- (4) Shift solenoid valve 2
- (5) Duty solenoid valve A
- (6) Duty solenoid valve B
- (7) Duty solenoid valve C
- (8) Duty solenoid valve D
- (9) Low clutch timing solenoid valve
- (10) 2-4 brake timing solenoid valve

● For MT vehicles



- (1) Neutral position switch