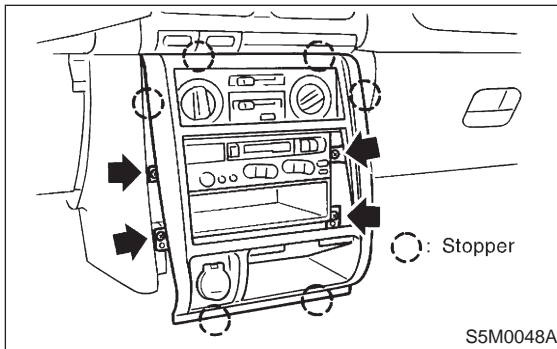


9. Radio, Speaker and Antenna

A: REMOVAL AND INSTALLATION

1. RADIO BODY

- 1) Remove console box. <Ref. to 5-4 [W1A0].>
- 2) Remove AT cover (AT model).
- 3) Remove center panel.
- 4) Remove fitting screws, and slightly pull radio out from center console.



- 5) Disconnect electric connectors and antenna feeder cord.
- 6) Installation is in the reverse order of removal.

2. FRONT SPEAKER

- 1) Remove front door trim and disconnect connector. <Ref. to 5-2 [W2A2].>
- 2) Remove screws which secure front speaker.
- 3) Remove speaker and disconnect connector.
- 4) Installation is in the reverse order of removal.

3. REAR SPEAKER (SEDAN)

- 1) Remove rear shelf trim panels.
- 2) Remove screws which secure rear speakers.
- 3) Disconnect connector and remove speakers.
- 4) Installation is in the reverse order of removal.

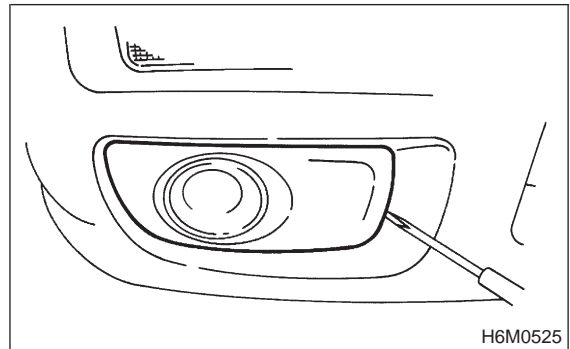
4. REAR SPEAKER (WAGON)

- 1) Remove rear door trim and disconnect connector. <Ref. to 5-2 [W2A2].>
- 2) Remove screws which secure rear speaker.
- 3) Remove speaker and disconnect connector.
- 4) Installation is in the reverse order of removal.

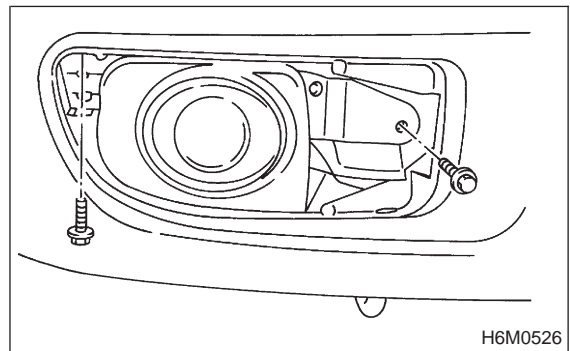
10. Front Fog Light

A: REMOVAL AND INSTALLATION

- 1) Disconnect ground cable from battery.
- 2) Remove front fog light cover.



- 3) Remove the two screws, then draw out the front fog light from front bumper.



- 4) Disconnect the connector.
- 5) Installation is in the reverse order of removal.