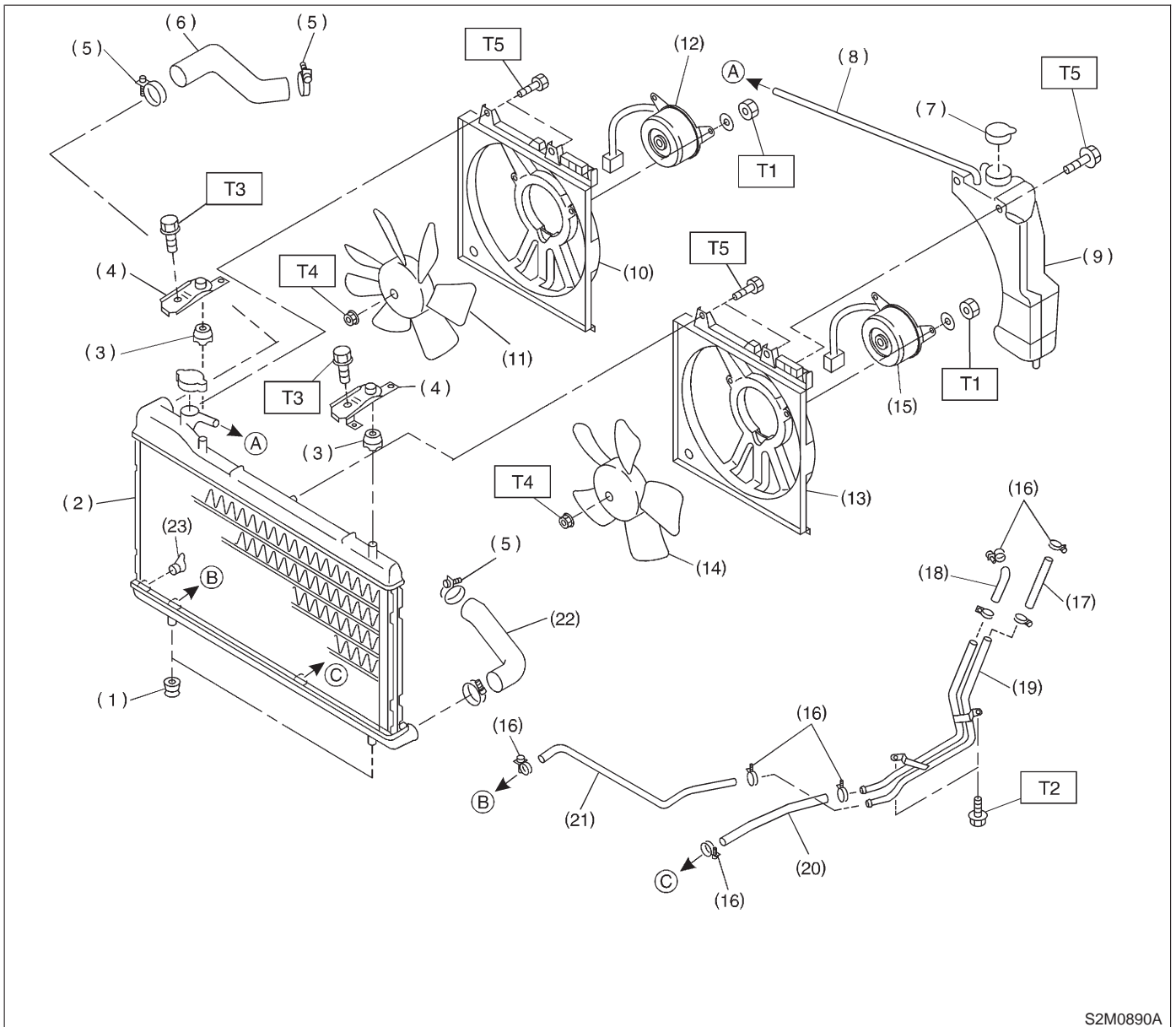


2. Radiator and Radiator Fan



S2M0890A

- | | | |
|---------------------------------------|---|--|
| (1) Radiator lower cushion | (13) Radiator main fan shroud | (21) ATF inlet hose B (AT vehicles only) |
| (2) Radiator | (14) Radiator main fan | (22) Radiator outlet hose |
| (3) Radiator upper cushion | (15) Radiator main fan motor | (23) Radiator drain plug |
| (4) Radiator upper bracket | (16) ATF hose clamp (AT vehicles only) | |
| (5) Clamp | (17) ATF inlet hose A (AT vehicles only) | |
| (6) Radiator inlet hose | (18) ATF outlet hose A (AT vehicles only) | |
| (7) Engine coolant reservoir tank cap | (19) ATF pipe (AT vehicles only) | |
| (8) Over flow hose | (20) ATF outlet hose B (AT vehicles only) | |
| (9) Engine coolant reservoir tank | | |
| (10) Radiator sub fan shroud | | |
| (11) Radiator sub fan | | |
| (12) Radiator sub fan motor | | |

Tightening torque: N-m (kg-m, ft-lb)

T1: 4.4±0.5 (0.45±0.05, 3.3±0.4)

T2: 12±3 (1.2±0.3, 8.7±2.2)

T3: 18±5 (1.8±0.5, 13.0±3.6)

T4: 3.4±0.5 (0.35±0.05, 2.5±0.4)

T5: 4.9±1.5 (0.50±0.15, 3.6±1.1)