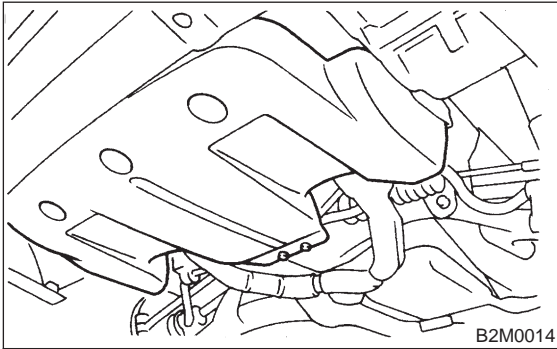


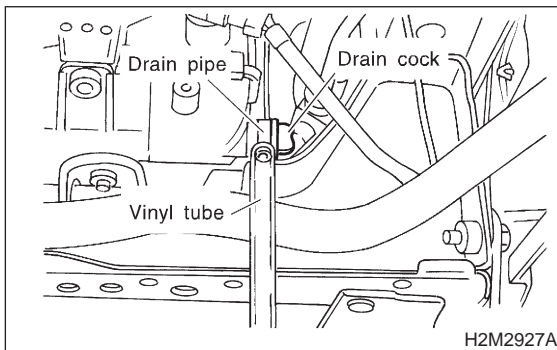
## 1. On-car Services

### A: DRAINING OF ENGINE COOLANT

- 1) Lift-up the vehicle.
- 2) Remove under cover.



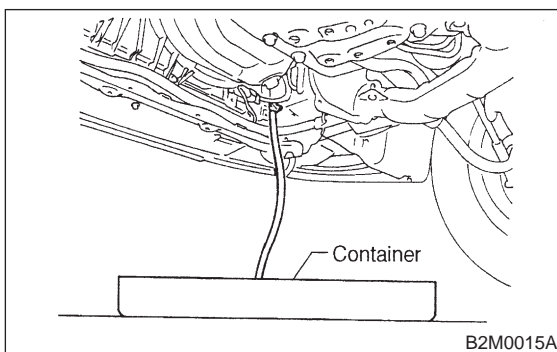
- 3) Fit vinyl tube to drain pipe.



- 4) Loosen drain cock to drain engine coolant into container.

#### NOTE:

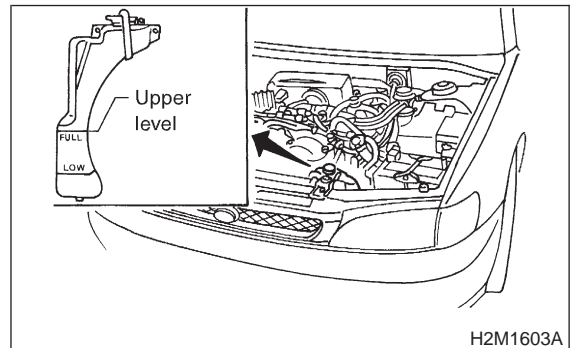
Remove radiator cap so that engine coolant will drain faster.



### B: FILLING OF ENGINE COOLANT

- 1) Fill engine coolant into radiator up to filler neck position.

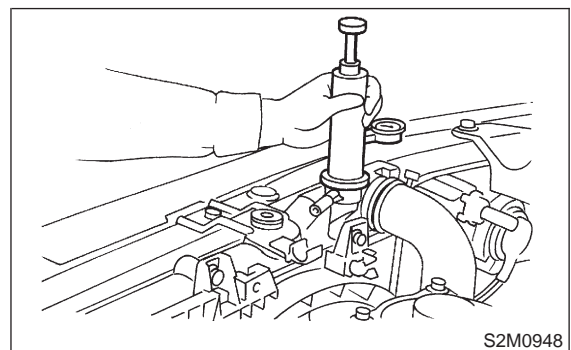
- 2) Fill engine coolant into reservoir tank up to upper level.



- 3) Attach radiator cap and reservoir tank cap properly.
- 4) Warm-up engine completely for more than five minutes at 2,000 to 3,000 rpm.
- 5) Stop engine and wait until temperature drops to a safe level.
- 6) If engine coolant level drops in radiator, add engine coolant to filler neck position.
- 7) If engine coolant level drops from upper level of reservoir tank, add engine coolant to upper level.
- 8) Attach radiator cap and reservoir tank cap properly.

### C: CHECKING OF COOLING SYSTEM

- 1) Remove radiator cap, top off radiator, and attach tester to radiator in place of cap.
- 2) Apply a pressure of 157 kPa (1.6 kg/cm<sup>2</sup>, 23 psi) to radiator to check if:
  - (1) Engine coolant leaks at/around radiator.
  - (2) Engine coolant leaks at/around hoses or connections.



#### CAUTION:

- Engine should be off.
- Wipe engine coolant from check points in advance.
- Be careful to prevent engine coolant from spurting out when removing tester.
- Be careful also not to deform filler neck of radiator when installing or removing tester.