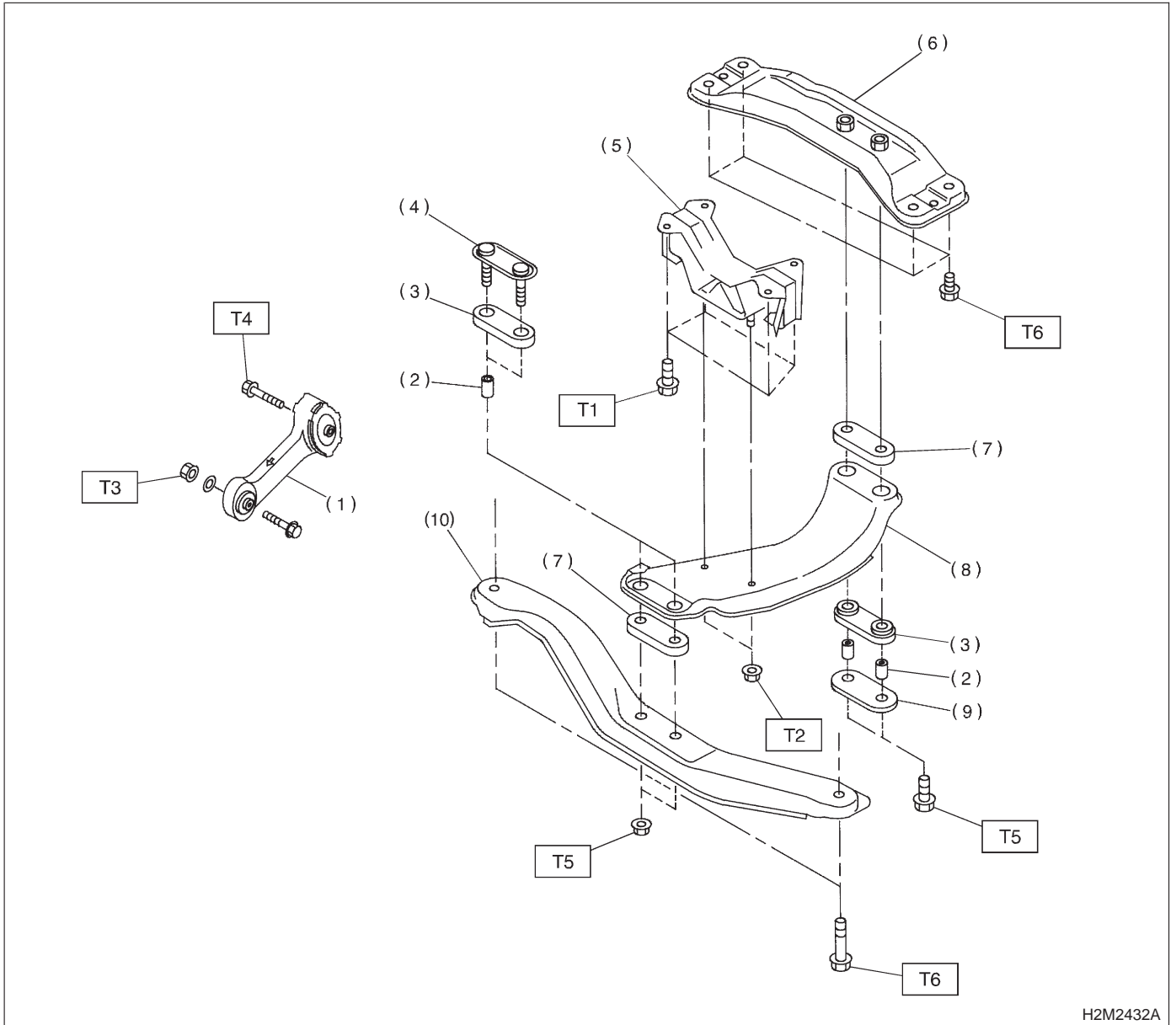


2. Transmission Mounting

A: MT MODEL



H2M2432A

- |                         |                        |
|-------------------------|------------------------|
| (1) Pitching stopper    | (8) Center crossmember |
| (2) Spacer              | (9) Rear plate         |
| (3) Cushion C           | (10) Front crossmember |
| (4) Front plate         |                        |
| (5) Rear cushion rubber |                        |
| (6) Rear crossmember    |                        |
| (7) Cushion D           |                        |

**Tightening torque: N·m (kg·m, ft·lb)**

**T1: 33±5 (3.4±0.5, 24.6±3.6)**

**T2: 37±10 (3.8±1.0, 27±7)**

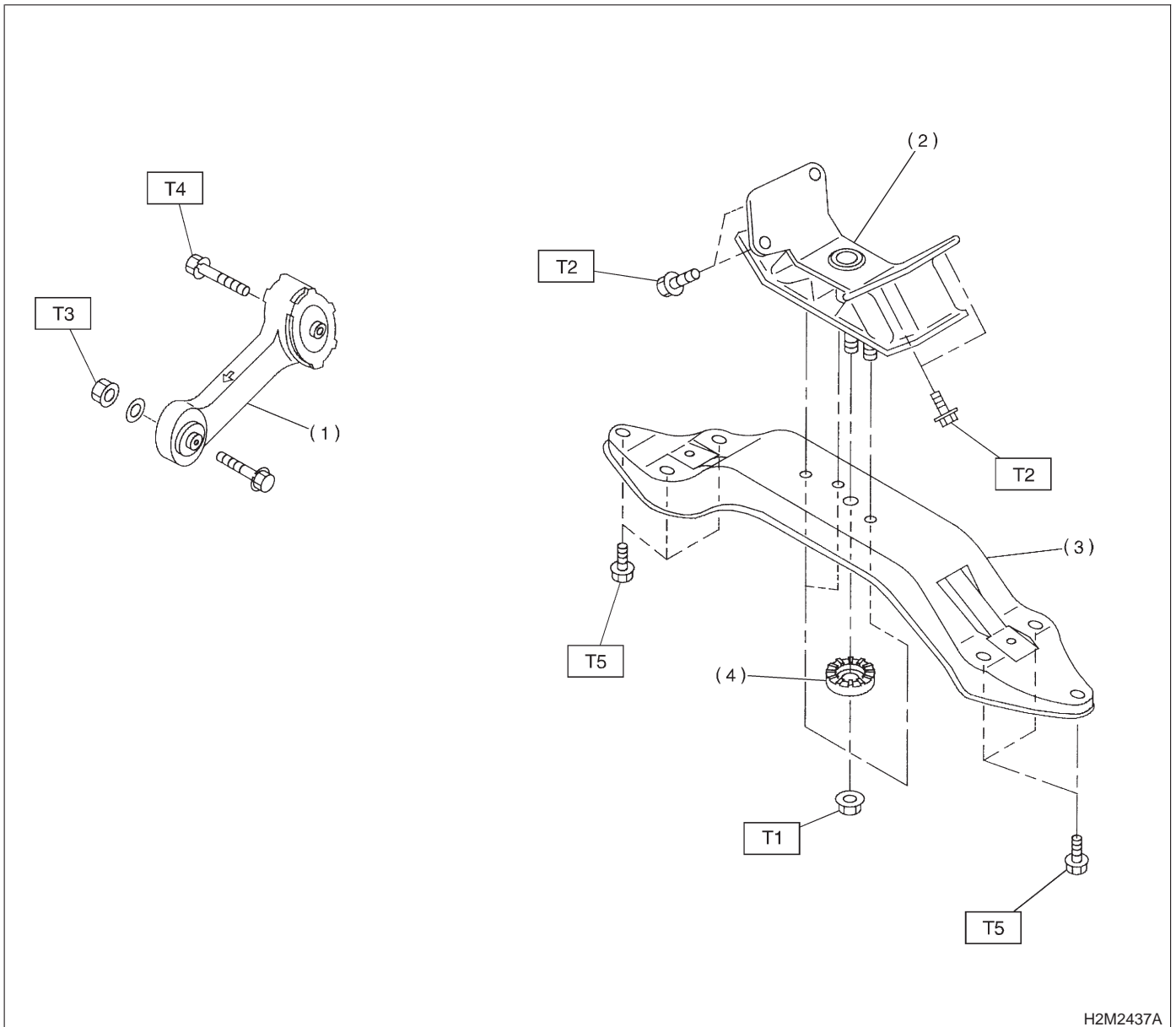
**T3: 49±5 (5.0±0.5, 36.2±3.6)**

**T4: 57±10 (5.8±1.0, 42±7)**

**T5: 69±15 (7.0±1.5, 51±11)**

**T6: 137±20 (14±2, 101±14)**

B: AT MODEL



H2M2437A

- (1) Pitching stopper
- (2) Rear cushion rubber
- (3) Crossmember
- (4) Stopper

**Tightening torque: N·m (kg·m, ft·lb)**

**T1: 37±10 (3.8±1.0, 27±7)**

**T2: 38±15 (3.9±1.5, 28±11)**

**T3: 49±5 (5.0±0.5, 36.2±3.6)**

**T4: 57±10 (5.8±1.0, 42±7)**

**T5: 69±15 (7.0±1.5, 51±11)**