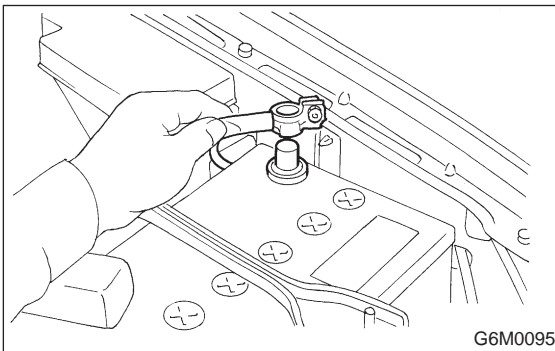


1. Air Cleaner and Air Intake Duct

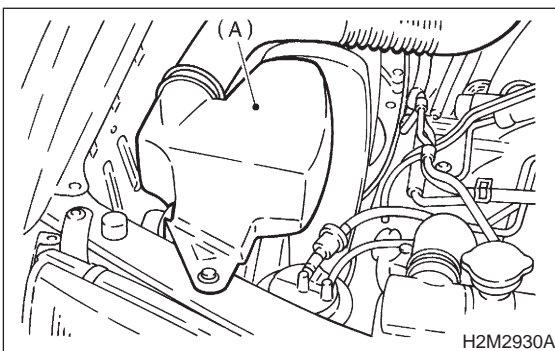
A: REMOVAL AND INSTALLATION

1. 2200 cc CALIFORNIA SPEC. VEHICLES

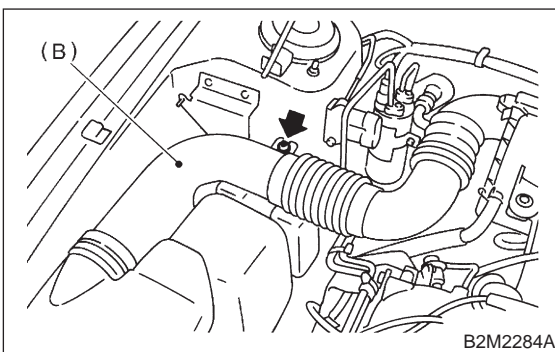
1) Disconnect battery ground cable.



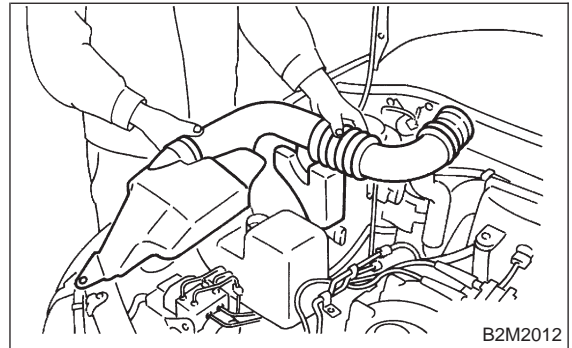
2) Remove bolt which installs air intake duct (A) on the front side of body.



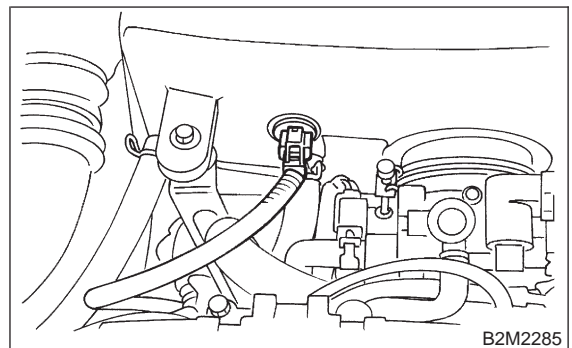
3) Remove bolt which installs air intake duct (B) on body.



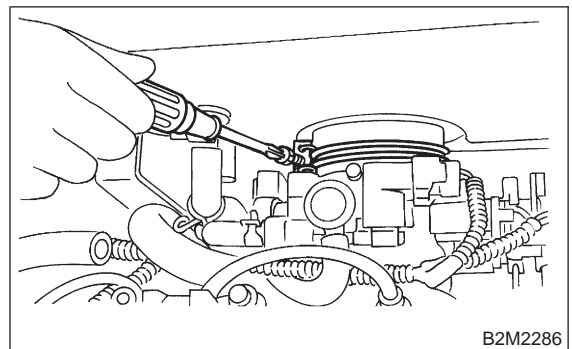
4) Remove air intake duct (A) and (B) as a unit.



5) Disconnect connector from intake air temperature sensor.



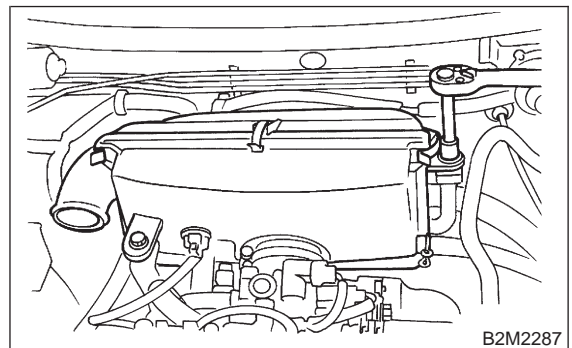
6) Loosen clamp which connects air cleaner case to throttle body.



7) Disconnect hoses from air cleaner case.

8) Remove bolts which install air cleaner case to stays.

9) Remove air cleaner assembly.



10) Installation is in the reverse order of removal.

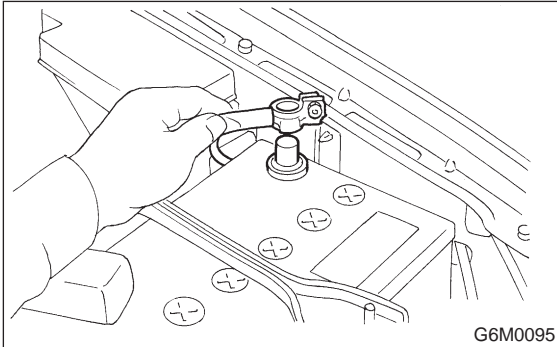
2-7 [W1A2]

SERVICE PROCEDURE

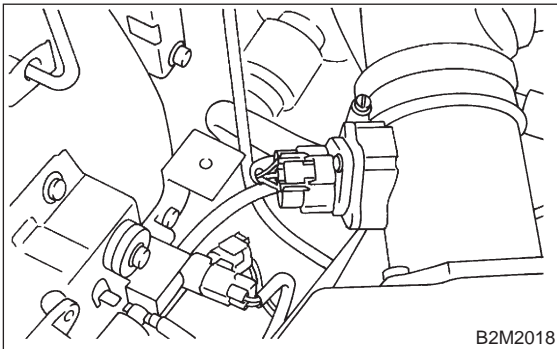
1. Air Cleaner and Air Intake Duct

2. EXCEPT 2200 cc CALIFORNIA SPEC. VEHICLES

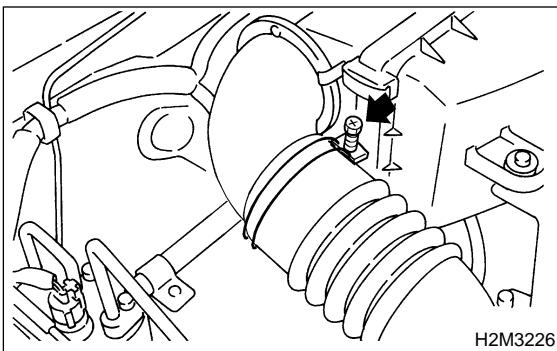
- 1) Disconnect battery ground cable.



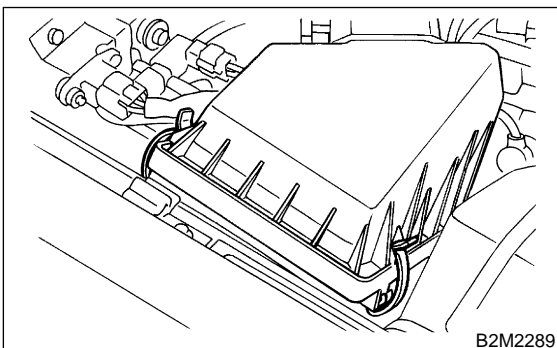
- 2) Disconnect connector from mass air flow sensor.



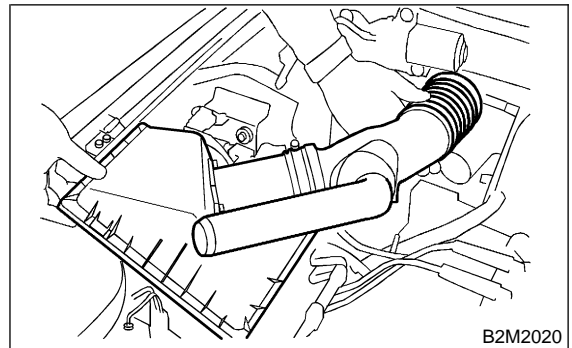
- 3) Loosen clamp which connects air intake duct to air intake chamber.



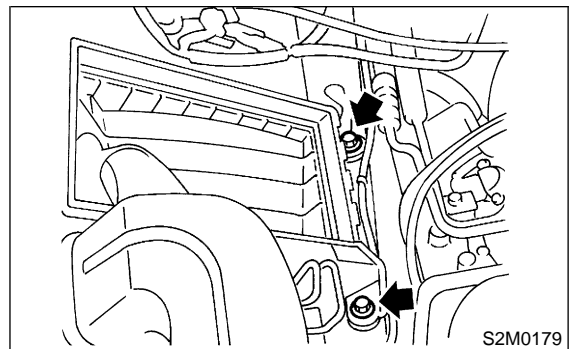
- 4) Remove two clips of air cleaner upper cover.



- 5) Remove air intake duct and air cleaner upper cover as a unit.



- 6) Remove air cleaner element.
7) Remove air cleaner lower case.



- 8) Installation is in the reverse order of removal.

CAUTION:
Before installing air cleaner upper cover, align holes with protruding portions of air cleaner lower case, then secure upper cover to lower case.

