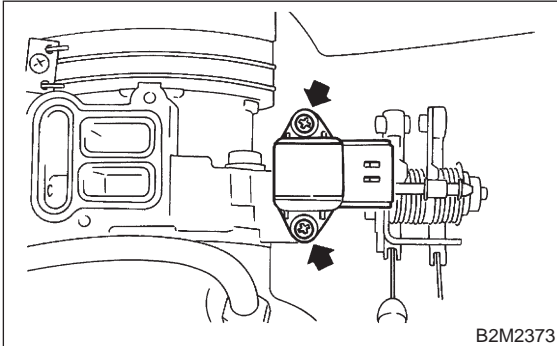


SERVICE PROCEDURE

[W21A0] 2-7

21. Intake Air Temperature Sensor (2200 cc California Spec. Vehicles only)

- 4) Remove intake manifold pressure sensor from throttle body.



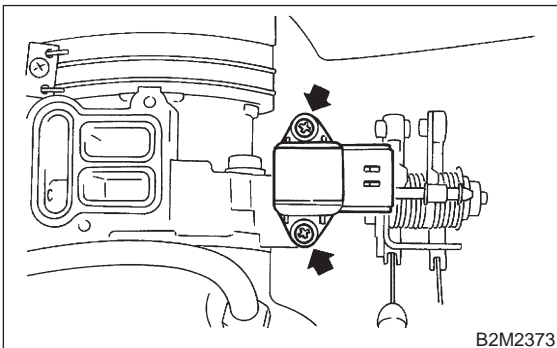
- 5) Installation is in the reverse order of removal.

CAUTION:

Replace gaskets for intake air pressure sensor and idle air control solenoid valve with new ones.

Tightening torque:

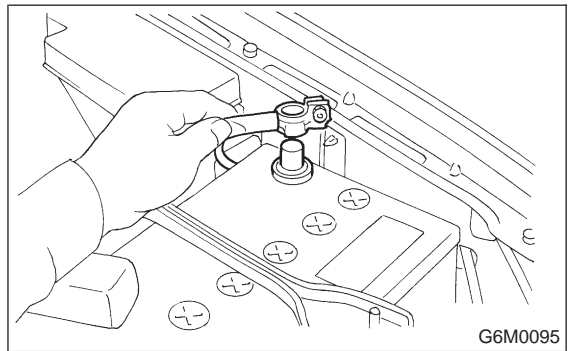
$2.0 \pm 0.4 \text{ N}\cdot\text{m}$ ($0.20 \pm 0.04 \text{ kg}\cdot\text{m}$, $1.4 \pm 0.3 \text{ ft}\cdot\text{lb}$)



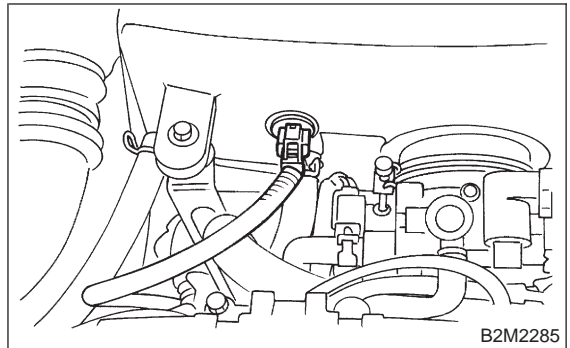
21. Intake Air Temperature Sensor (2200 cc California Spec. Vehicles only)

A: REMOVAL AND INSTALLATION

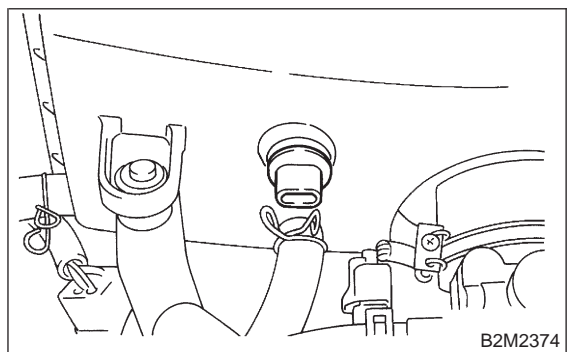
- 1) Disconnect battery ground cable.



- 2) Disconnect connector from intake air temperature sensor.



- 3) Remove intake air temperature sensor from air cleaner case.



- 4) Installation is in the reverse order of removal.

MEMO: