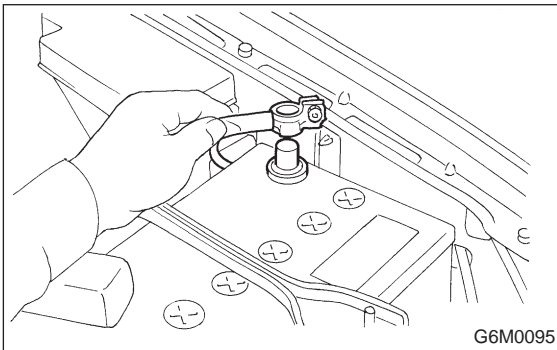


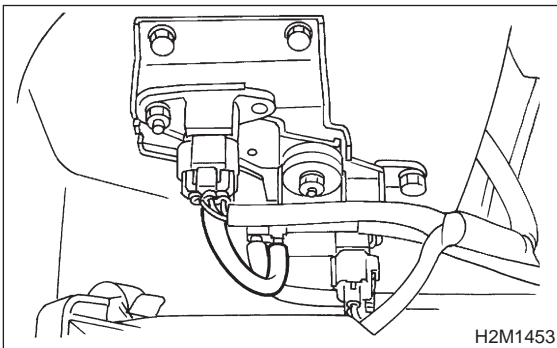
## 11. Pressure Sensor

### A: REMOVAL AND INSTALLATION

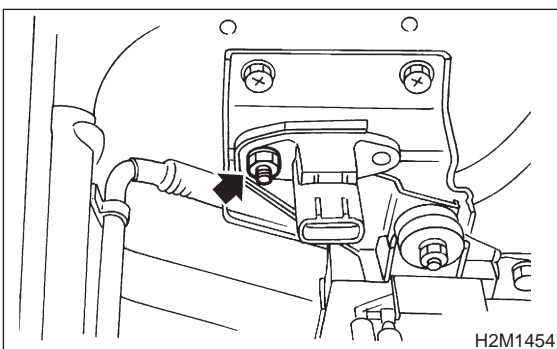
- 1) Disconnect battery ground cable.



- 2) Disconnect connector from pressure sensor.
- 3) Disconnect hose from pressure sensor.



- 4) Remove pressure sensor from bracket.



- 5) Installation is in the reverse order of removal.

**Tightening torque:**

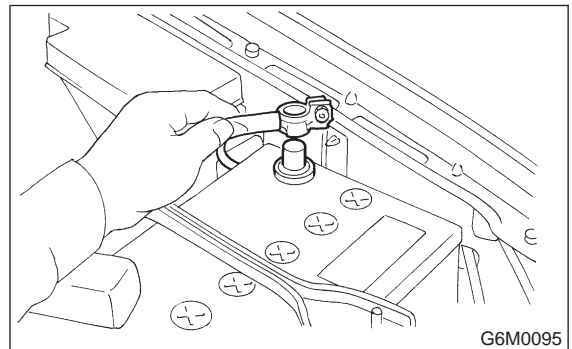
**$6.4 \pm 0.5 \text{ N}\cdot\text{m}$  ( $0.65 \pm 0.05 \text{ kg}\cdot\text{m}$ ,  $4.7 \pm 0.4 \text{ ft}\cdot\text{lb}$ )**

## 12. Idle Air Control Solenoid Valve

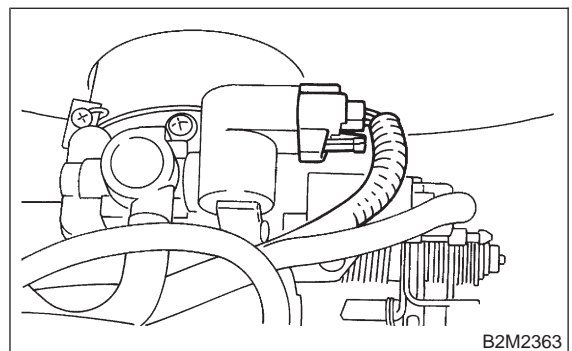
### A: REMOVAL AND INSTALLATION

#### 1. 2200 cc CALIFORNIA SPEC. VEHICLES

- 1) Disconnect battery ground cable.



- 2) Disconnect connector from idle air control solenoid valve.



- 3) Disconnect air by-pass hose from idle air control solenoid valve.

