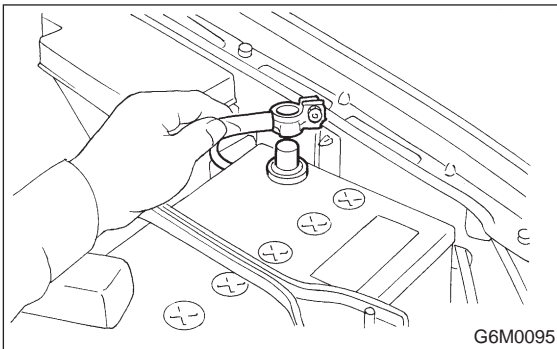


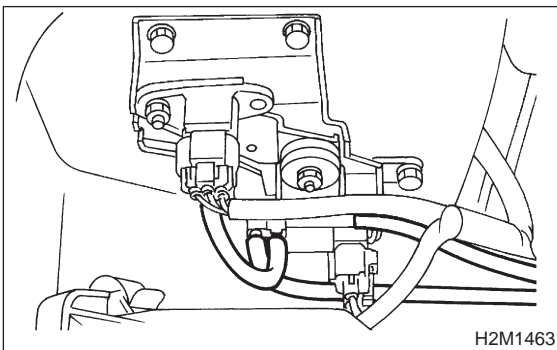
13. Pressure Sources Switching Solenoid Valve

A: REMOVAL AND INSTALLATION

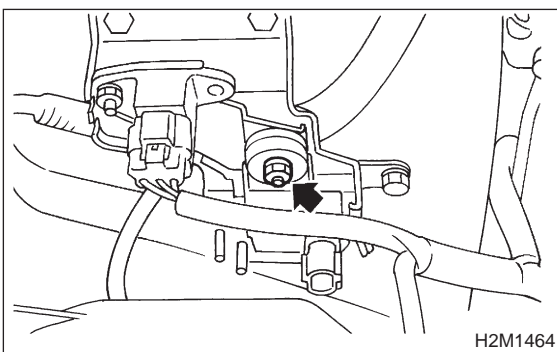
- 1) Disconnect battery ground cable.



- 2) Disconnect connector from pressure sources switching solenoid valve.
- 3) Disconnect hoses from pressure sources switching solenoid valve.



- 4) Remove pressure sources switching solenoid valve from bracket.



- 5) Installation is in the reverse order of removal.

Tightening torque:

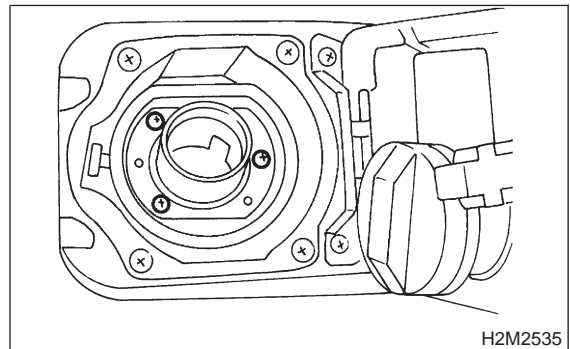
6.4±0.5 N·m (0.65±0.05 kg·m, 4.7±0.4 ft·lb)

14. Fuel Injector

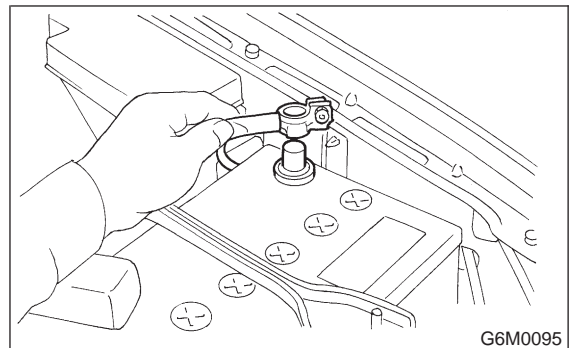
A: REMOVAL AND INSTALLATION

1. RH SIDE

- 1) Release fuel pressure.
<Ref. to 2-8 [W1B0].>
- 2) Open fuel flap lid, and remove fuel filler cap.



- 3) Disconnect battery ground cable.



- 4) Remove component parts of air intake system on California spec. vehicles.
(1) Remove air intake duct (A) and (B) as a unit.

