

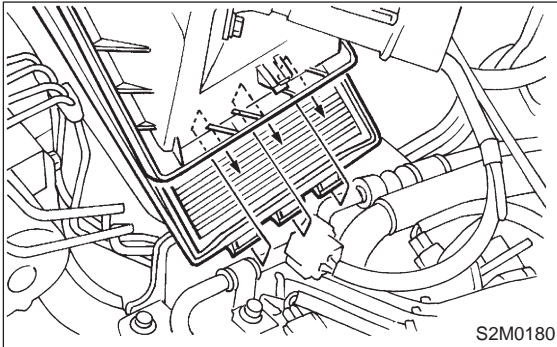
8) Installation is in the reverse order of removal.

**Tightening torque:**

$7.4 \pm 2.0 \text{ N}\cdot\text{m}$  ( $0.75 \pm 0.2 \text{ kg}\cdot\text{m}$ ,  $5.4 \pm 1.4 \text{ ft}\cdot\text{lb}$ )

**CAUTION:**

Before installing air cleaner upper cover, align holes with protruding portions of air cleaner lower case, then secure upper cover to lower case.

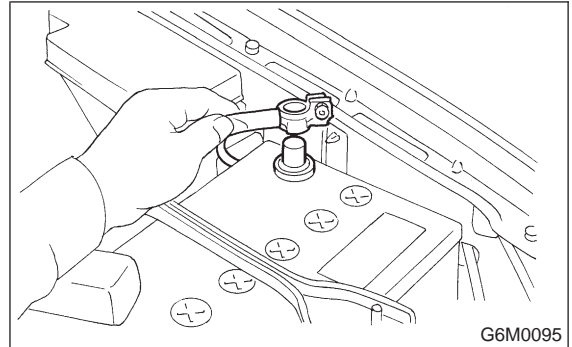


### 3. Throttle Body

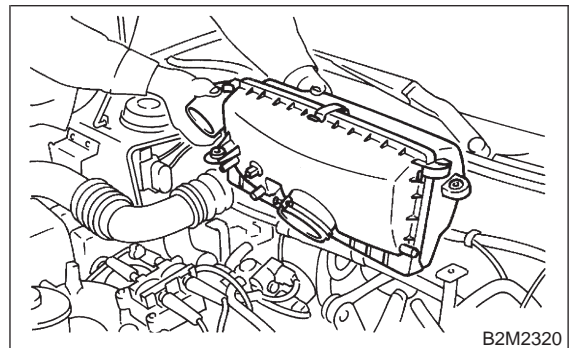
#### A: REMOVAL AND INSTALLATION

##### 1. 2200 cc CALIFORNIA SPEC. VEHICLES

1) Disconnect battery ground cable.

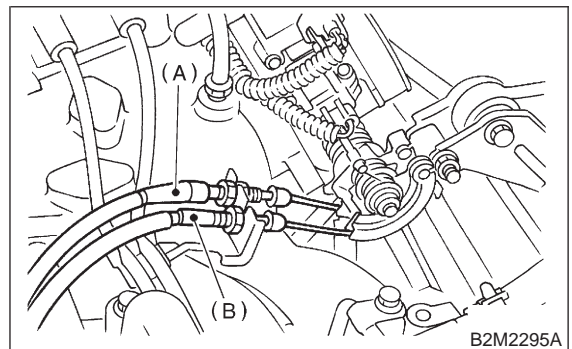


2) Remove air cleaner assembly. <Ref. to 2-7 [W1A0].>

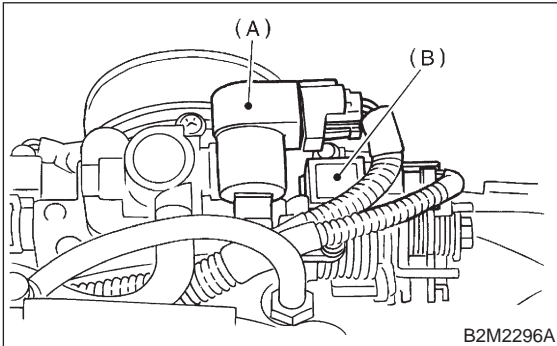


3) Disconnect accelerator cable (A).

4) Disconnect cruise control cable (B). (With cruise control model)

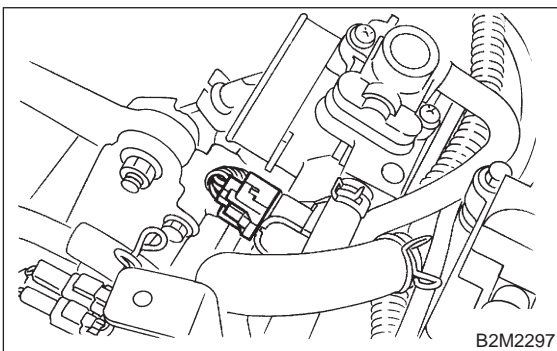


5) Disconnect connectors from idle air control solenoid valve (A) and intake manifold pressure sensor (B).

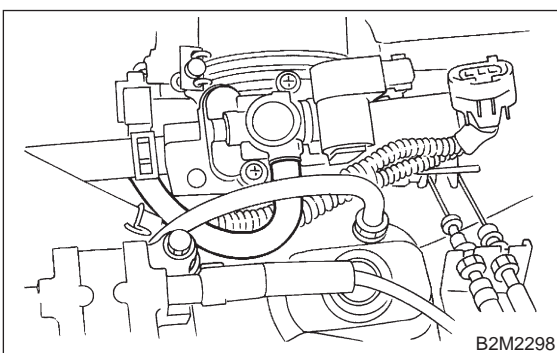


- (A) Idle air control solenoid valve
- (B) Intake manifold pressure sensor

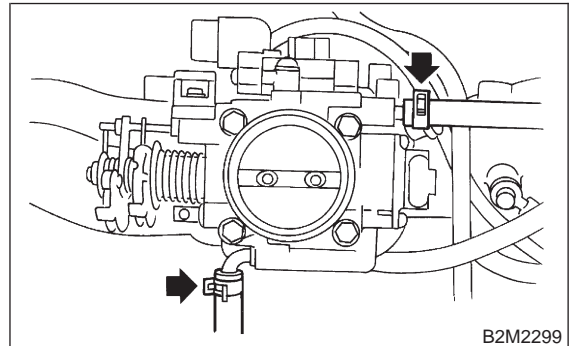
6) Disconnect connector from throttle position sensor.



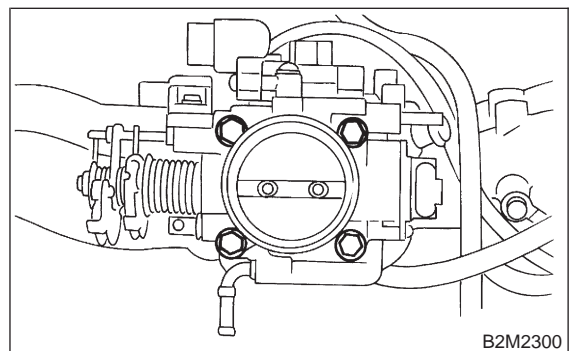
7) Disconnect air by-pass hose from idle air control solenoid valve.



8) Disconnect engine coolant hoses from throttle body.



9) Remove bolts which install throttle body to intake manifold.



10) Installation is in the reverse order of removal.

**CAUTION:**  
Always use a new gasket.

**Tightening torque:**

**Throttle body:**

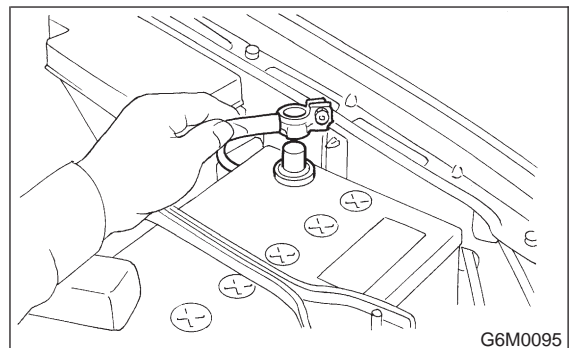
$22 \pm 2 \text{ N}\cdot\text{m}$  ( $2.2 \pm 0.2 \text{ kg}\cdot\text{m}$ ,  $15.9 \pm 1.4 \text{ ft}\cdot\text{lb}$ )

**Air cleaner case:**

$4.9 \pm 0.5 \text{ N}\cdot\text{m}$  ( $0.5 \pm 0.05 \text{ kg}\cdot\text{m}$ ,  $3.6 \pm 0.4 \text{ ft}\cdot\text{lb}$ )

## 2. EXCEPT 2200 cc CALIFORNIA SPEC. VEHICLES

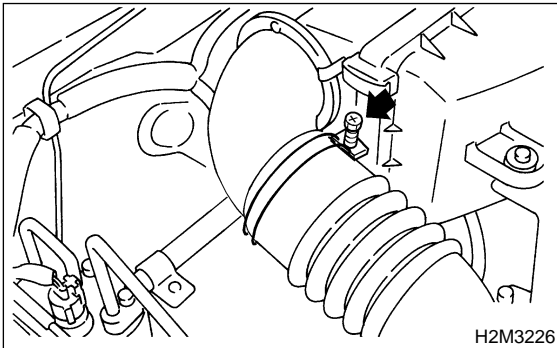
1) Disconnect battery ground cable.



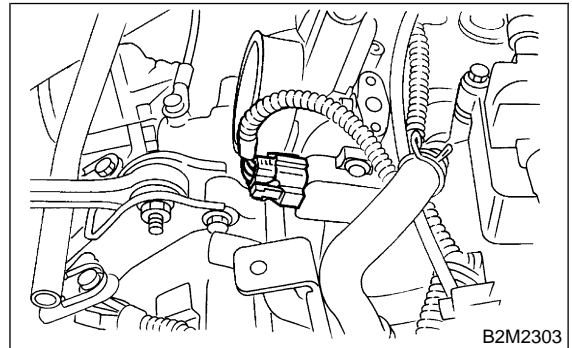
**2-7 [W3A2]**  
3. Throttle Body

**SERVICE PROCEDURE**

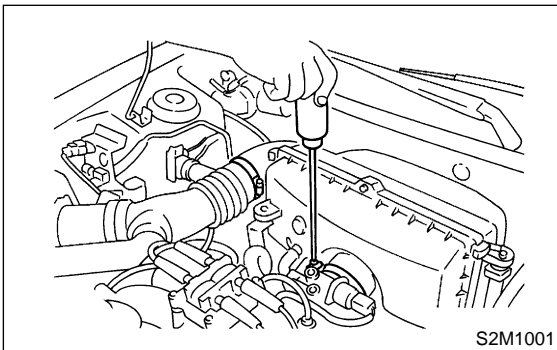
2) Loosen clamps which connect air intake duct to air intake chamber and mass air flow sensor.



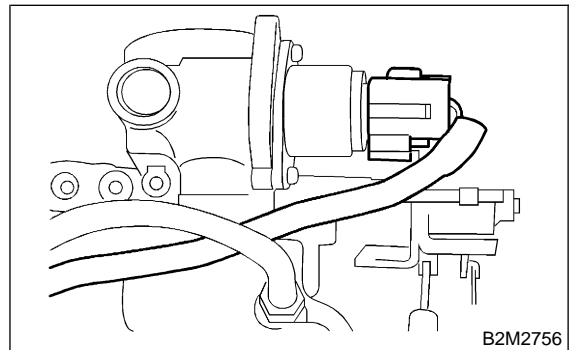
7) Disconnect connector from throttle position sensor.



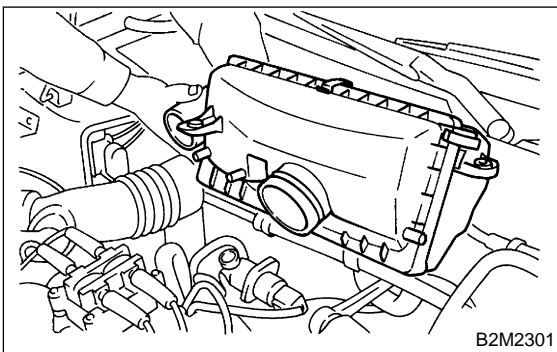
3) Loosen clamp which connects air intake chamber to throttle body.



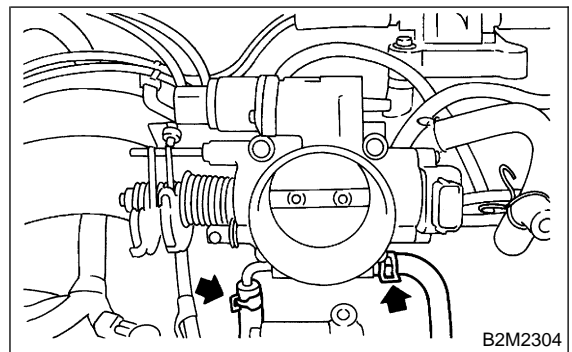
8) Disconnect connector from idle air control solenoid valve.



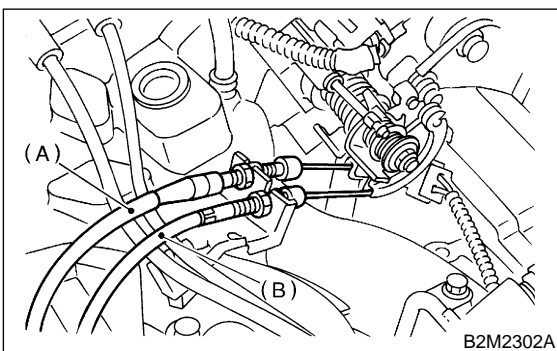
4) Disconnect blow-by hose and air hoses, and remove air intake chamber.



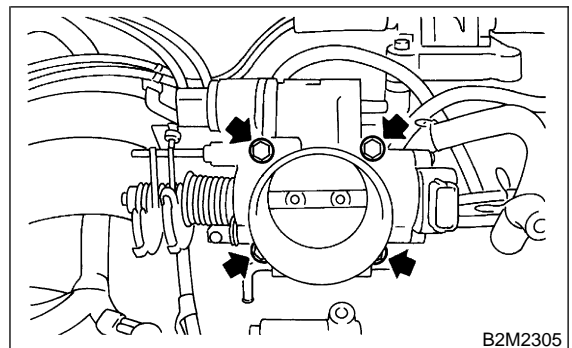
9) Disconnect engine coolant hoses from throttle body.



5) Disconnect accelerator cable (A).  
6) Disconnect cruise control cable (B). (With cruise control model)



10) Remove bolts which install throttle body to intake manifold.



11) Installation is in the reverse order of removal.

**CAUTION:**

- Always use a new gasket.
- Before installing air cleaner upper cover, align holes with protruding portions of air cleaner lower case, then secure upper cover to lower case.

**Tightening torque:**

*Throttle body:*

**$22\pm 2$  N·m ( $2.2\pm 0.2$  kg·m,  $15.9\pm 1.4$  ft·lb)**

*Air intake chamber:*

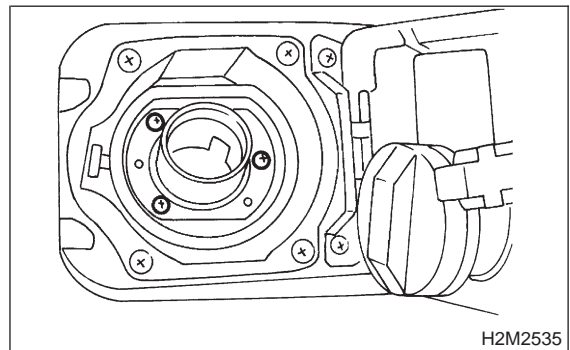
**$4.9\pm 0.5$  N·m ( $0.5\pm 0.05$  kg·m,  $3.6\pm 0.4$  ft·lb)**

## 4. Intake Manifold

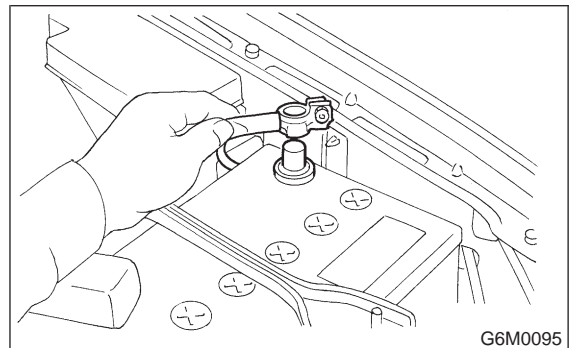
### A: REMOVAL

#### 1. 2200 cc CALIFORNIA SPEC. VEHICLES

- 1) Release fuel pressure. <Ref. to 2-8 [W1B0].>
- 2) Open fuel flap lid, and remove fuel filler cap.



- 3) Disconnect battery ground cable.



- 4) Disconnect connector from intake air temperature sensor.

