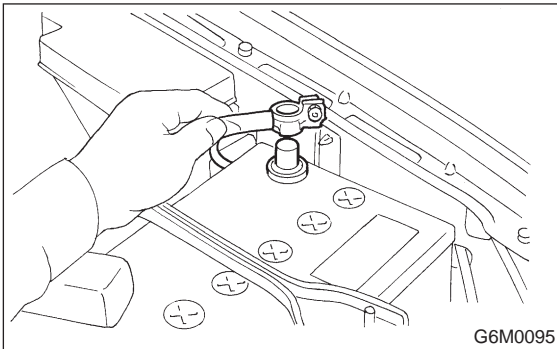


9. Throttle Position Sensor

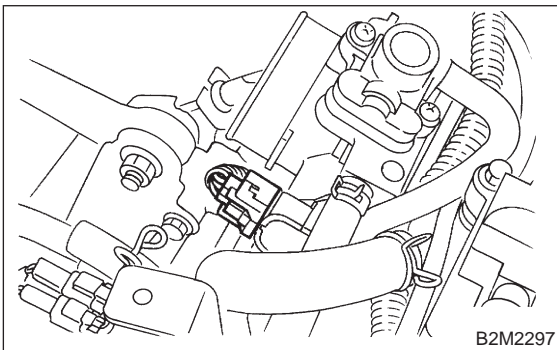
A: REMOVAL AND INSTALLATION

1. 2200 cc CALIFORNIA SPEC. VEHICLES

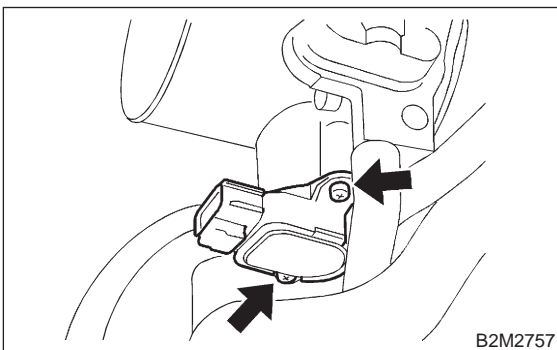
- 1) Disconnect battery ground cable.



- 2) Disconnect connector from throttle position sensor.



- 3) Remove throttle position sensor holding screws, and remove throttle position sensor itself.



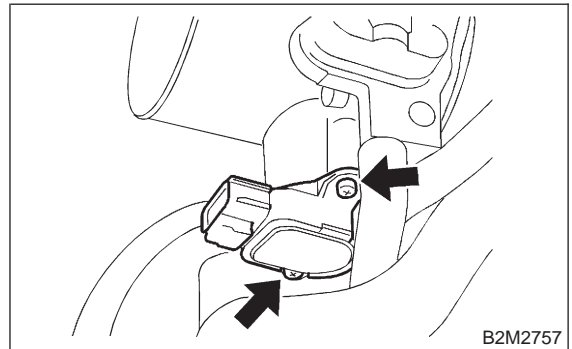
- 4) Installation is in the reverse order of removal.

Tightening torque:

2.2 ± 0.2 N·m (0.22 ± 0.02 kg·m, 1.6 ± 0.1 ft·lb)

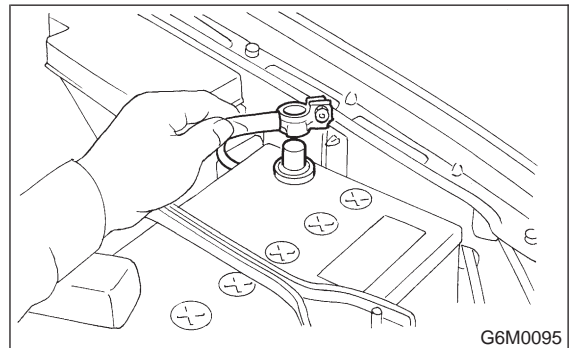
CAUTION:

When installing throttle position sensor, adjust the position to match with the specified data.

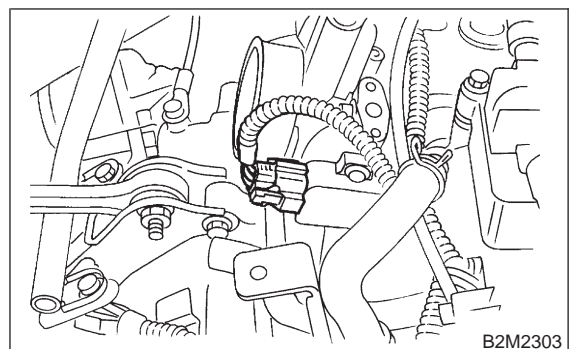


2. EXCEPT 2200 cc CALIFORNIA SPEC. VEHICLES

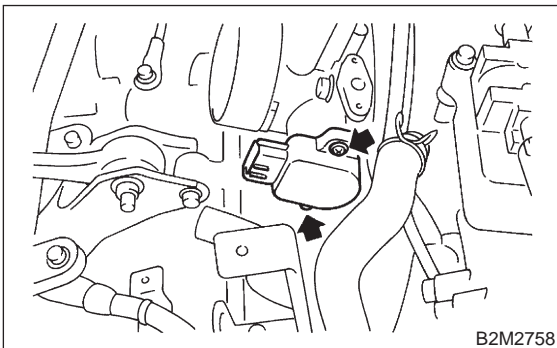
- 1) Disconnect battery ground cable.



- 2) Disconnect connector from throttle position sensor.



3) Remove throttle position sensor holding screws, and remove throttle position sensor itself.



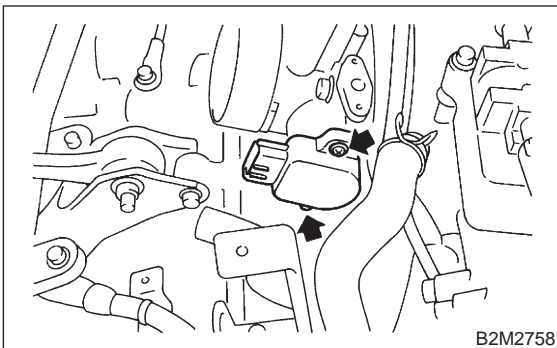
4) Installation is in the reverse order of removal.

Tightening torque:

2.0±0.4 N·m (0.20±0.04 kg·m, 1.4±0.3 ft·lb)

CAUTION:

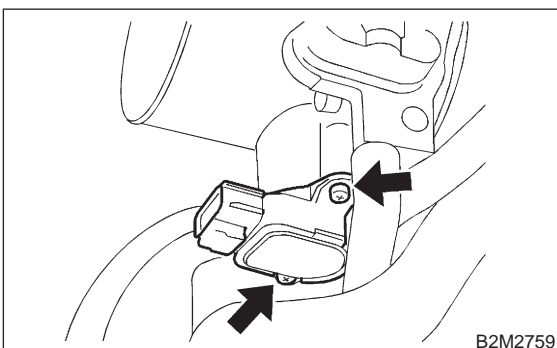
When installing throttle position sensor, adjust the position to match with the specified data.



B: ADJUSTMENT

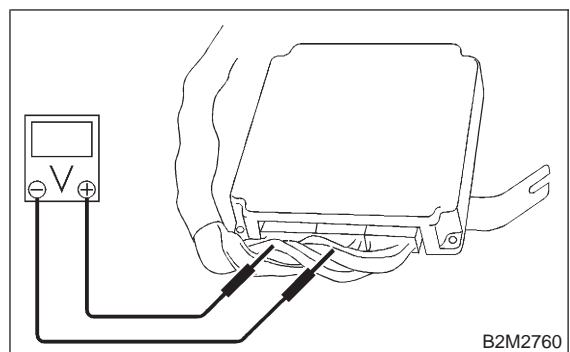
1. 2200 cc CALIFORNIA SPEC. VEHICLES

- 1) Turn ignition switch to OFF.
- 2) Loosen throttle position sensor holding screws.



- 3) When using voltage meter;
 - (1) Take out ECM.
 - (2) Turn ignition switch to ON.
 - (3) Adjust throttle position sensor to the proper position to allow the voltage signal to ECM to be in specification.

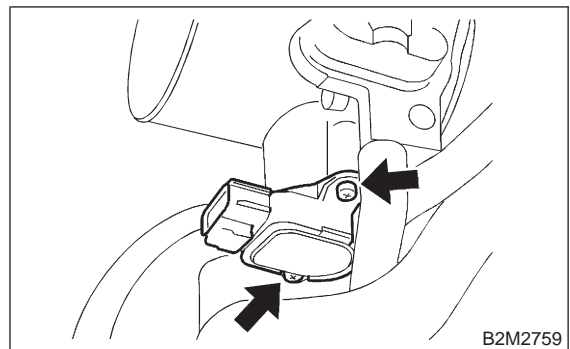
Connector & terminal / Specified voltage
(B136) No. 15 — (B136) No. 17 / 0.45 — 0.55 V
[Fully closed.]



(4) Tighten throttle position sensor holding screws.

Tightening torque:

2.0±0.4 N·m (0.20±0.04 kg·m, 1.4±0.3 ft·lb)

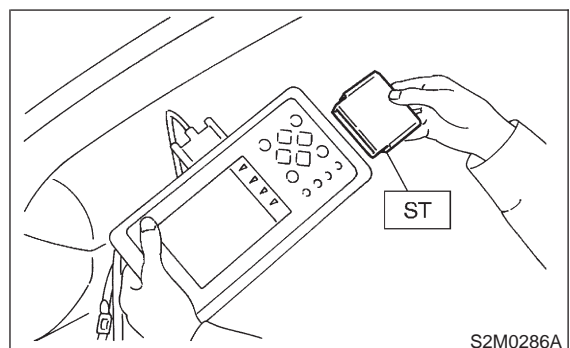


4) When using Subaru Select Monitor;

NOTE:

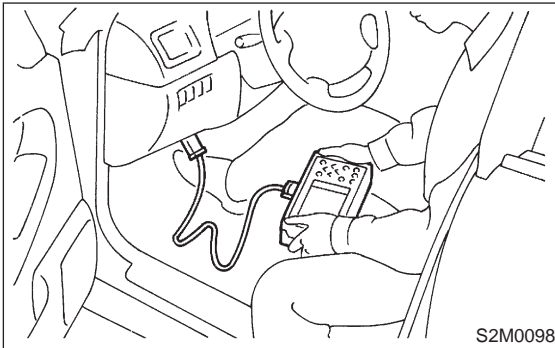
For detailed operation procedures, refer to the Subaru Select Monitor Operation Manual.

- (1) Insert the cartridge to Subaru Select Monitor. <Ref. to 1-6 [G1100].>



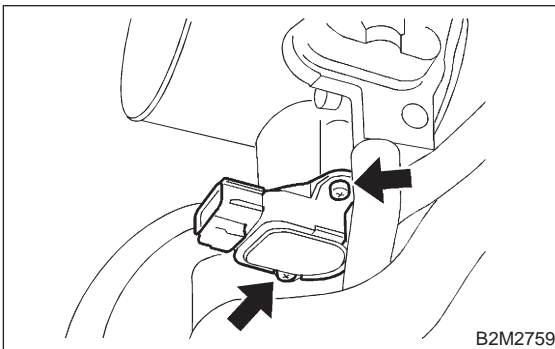
- (2) Connect Subaru Select Monitor to the data link connector.
- (3) Turn ignition switch to ON, and Subaru Select Monitor switch to ON.
- (4) Select {2. Each System Check} in Main Menu.
- (5) Select {Engine Control System} in Selection Menu.
- (6) Select {1. Current Data Display & Save} in Engine Control System Diagnosis.
- (7) Select {1.12 Data Display} in Data Display Menu.
- (8) Adjust throttle position sensor to the proper position to match with the following specifications.

Condition: Throttle fully closed
Throttle opening angle 0.00%
Throttle sensor voltage 0.50 V



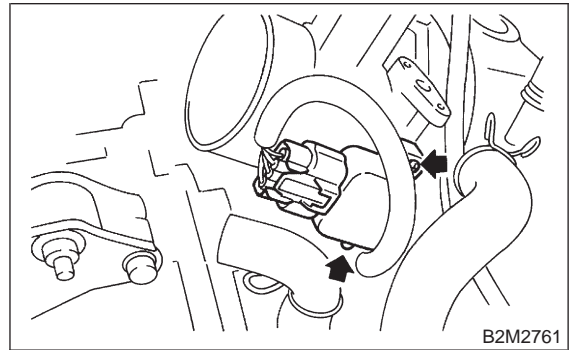
- (9) Tighten throttle position sensor holding screws.

Tightening torque:
2.0±0.4 N·m (0.20±0.04 kg·m, 1.4±0.3 ft·lb)



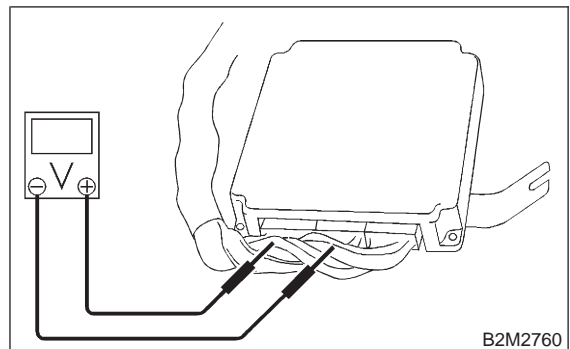
2. EXCEPT 2200 cc CALIFORNIA SPEC. VEHICLES

- 1) Turn ignition switch to OFF.
- 2) Loosen throttle position sensor holding screws.



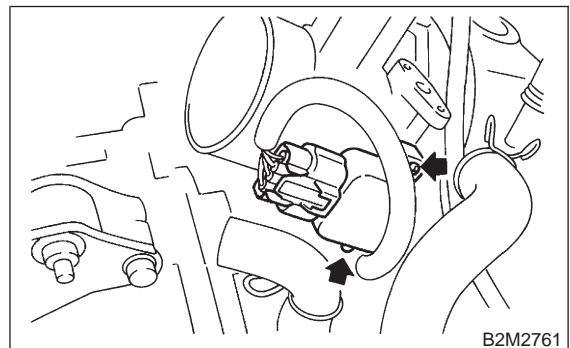
- 3) When using voltage meter;
 - (1) Take out ECM.
 - (2) Turn ignition switch to ON.
 - (3) Adjust throttle position sensor to the proper position to allow the voltage signal to ECM to be in specification.

Connector & terminal / Specified voltage
(B136) No. 15 — (B136) No. 17 / 0.45 — 0.55 V
[Fully closed.]



- (4) Tighten throttle position sensor holding screws.

Tightening torque:
2.0±0.4 N·m (0.20±0.04 kg·m, 1.4±0.3 ft·lb)

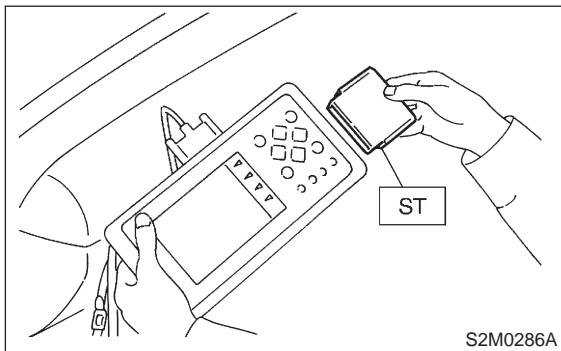


4) When using Subaru Select Monitor;

NOTE:

For detailed operation procedures, refer to the Subaru Select Monitor Operation Manual.

(1) Insert the cartridge to Subaru Select Monitor. <Ref. to 1-6 [G1100].>



(2) Connect Subaru Select Monitor to the data link connector.

(3) Turn ignition switch to ON, and Subaru Select Monitor switch to ON.

(4) Select {2. Each System Check} in Main Menu.

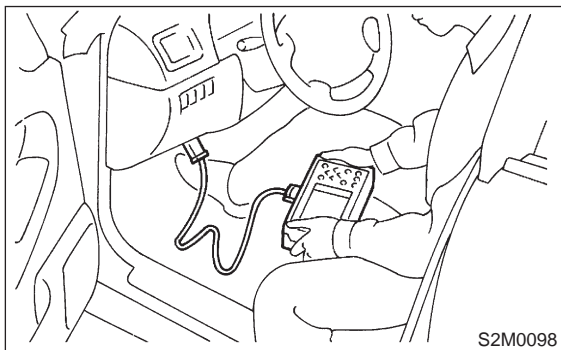
(5) Select {Engine Control System} in Selection Menu.

(6) Select {1. Current Data Display & Save} in Engine Control System Diagnosis.

(7) Select {1.12 Data Display} in Data Display Menu.

(8) Adjust throttle position sensor to the proper position to match with the following specifications.

Condition: Throttle fully closed
Throttle opening angle 0.00%
Throttle sensor voltage 0.50 V



(9) Tighten throttle position sensor holding screws.

Tightening torque:

$2.0 \pm 0.4 \text{ N}\cdot\text{m}$ ($0.20 \pm 0.04 \text{ kg}\cdot\text{m}$, $1.4 \pm 0.3 \text{ ft}\cdot\text{lb}$)

