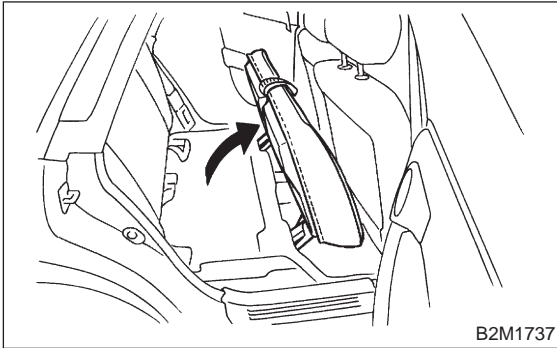
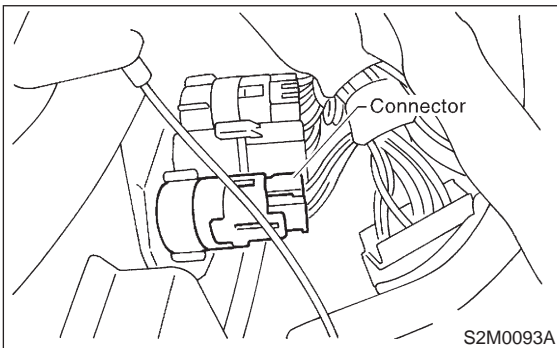


20) Set rear seat cushion. (Wagon model)

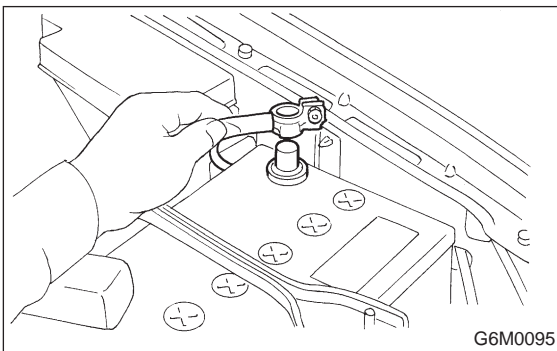


21) Install fuel filler cap.

22) Connect connector to fuel pump relay.



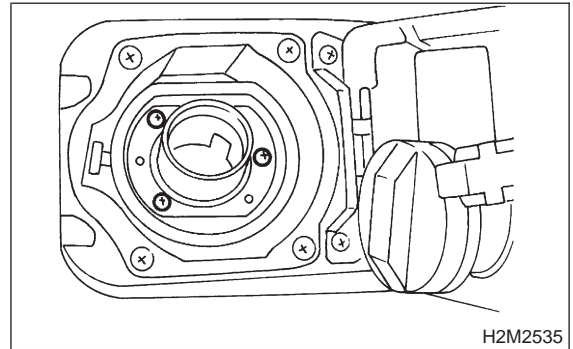
23) Connect battery ground cable.



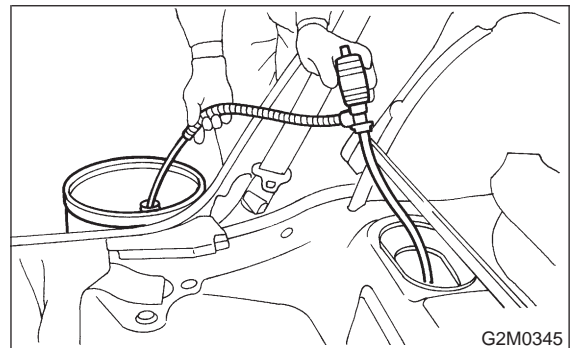
### 3. Fuel Filler Pipe

#### A: REMOVAL

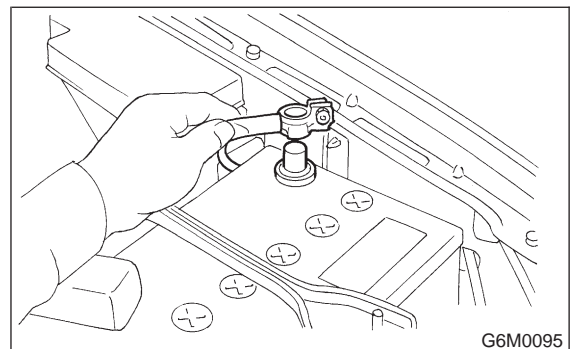
- 1) Set the vehicle on the lift.
- 2) Release fuel pressure. <Ref. to 2-8 [W1B0].>
- 3) Open fuel flap lid, and remove fuel filler cap.



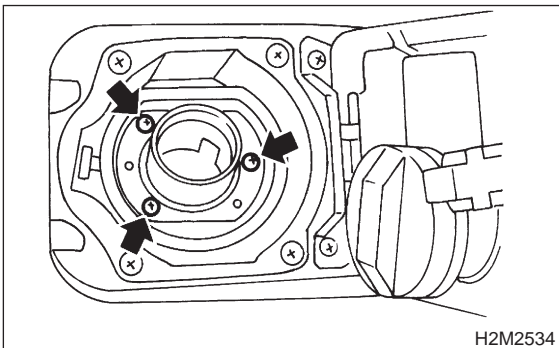
4) Drain fuel from fuel tank. <Ref. to 2-8 [W1C0].>



5) Disconnect battery ground cable.

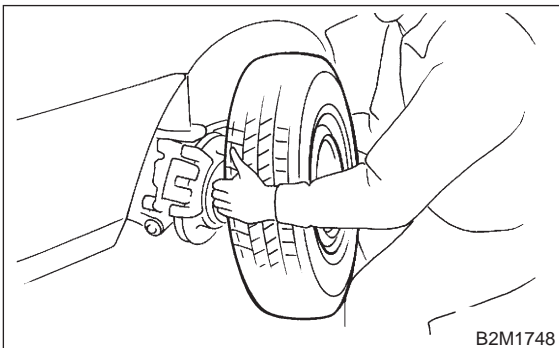


6) Remove screws which install fuel filler pipe on filler lid open.



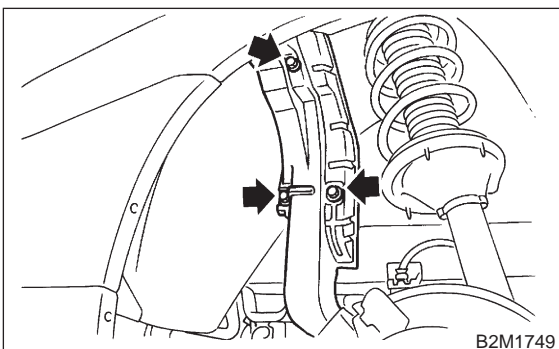
H2M2534

- 7) Remove wheel nuts of rear right side.
- 8) Lift-up the vehicle.
- 9) Remove rear right side wheel.



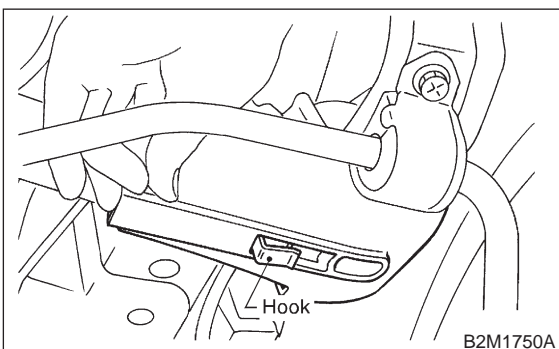
B2M1748

10) Remove bolts which install protector cover on body.



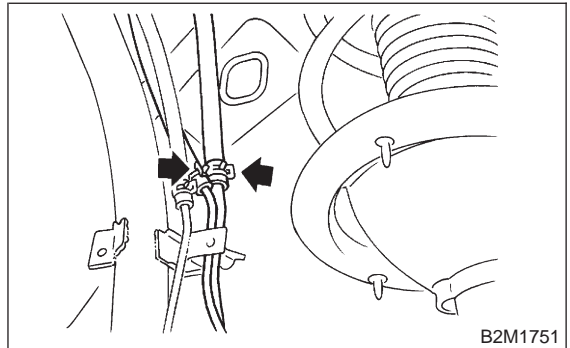
B2M1749

11) While releasing the under side of protector cover from hook, remove it.



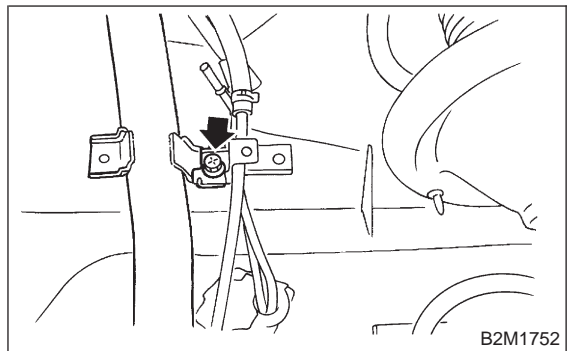
B2M1750A

12) Disconnect evaporation hoses from pipes.



B2M1751

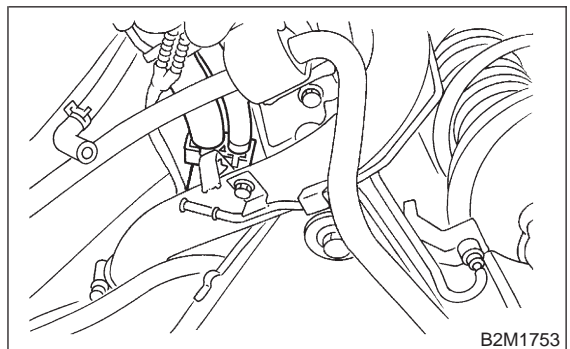
13) Remove bolts which hold fuel filler pipe bracket.



B2M1752

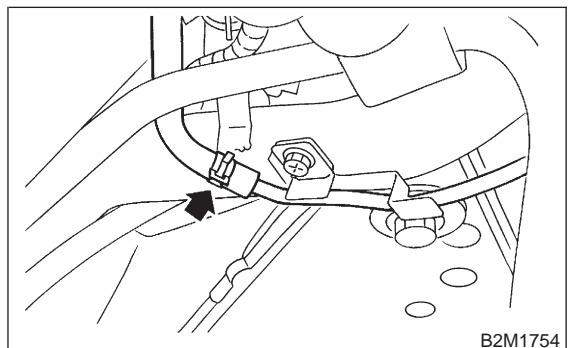
14) Lift-up the vehicle more.

15) Remove two evaporation hoses from clip.



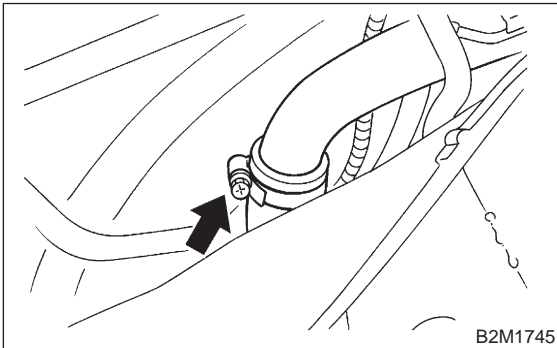
B2M1753

16) Disconnect evaporation hose from joint pipe.

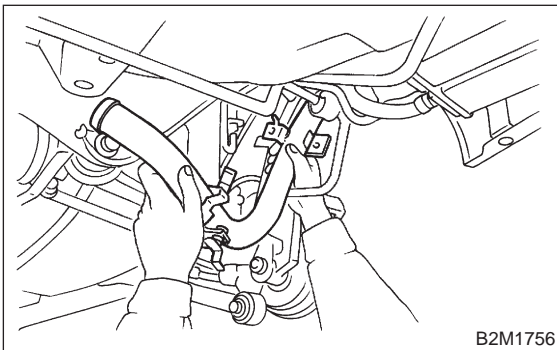


B2M1754

17) Loosen clamp, and disconnect fuel filler hose from fuel filler pipe.

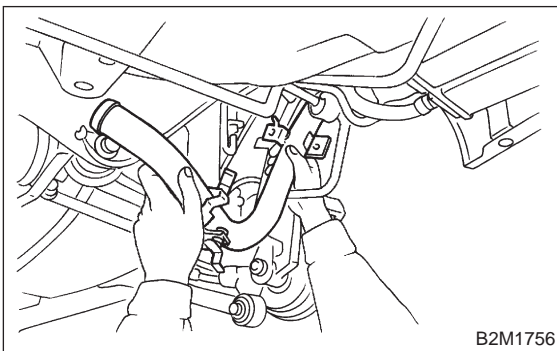


18) Remove fuel filler pipe to under side of vehicle.

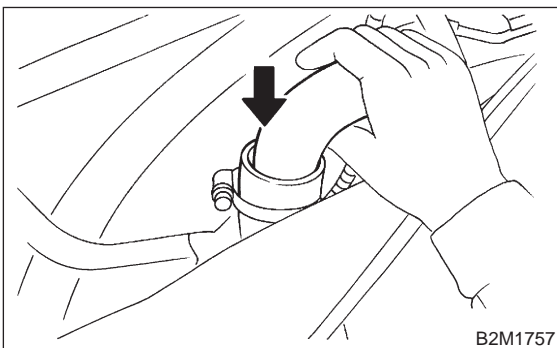


**B: INSTALLATION**

1) Set fuel filler pipe from under side of vehicle, and hold it on fuel filler flap open.

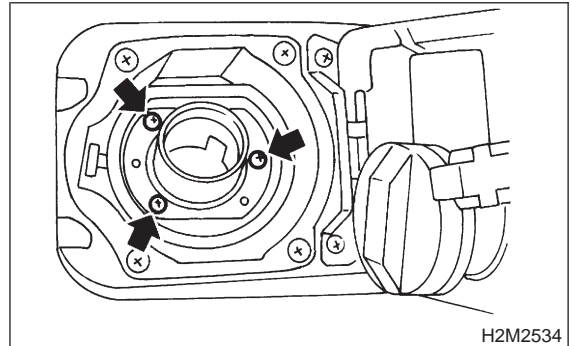


2) Connect fuel filler pipe into fuel filler hose.

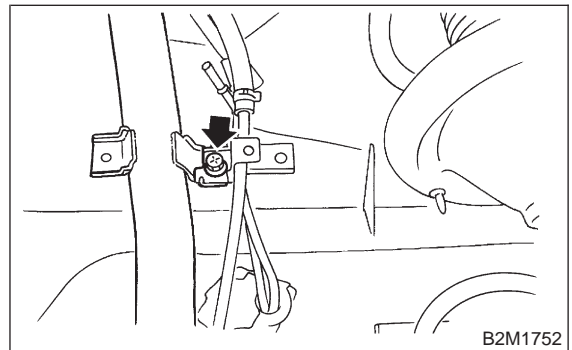


3) Lower the vehicle.

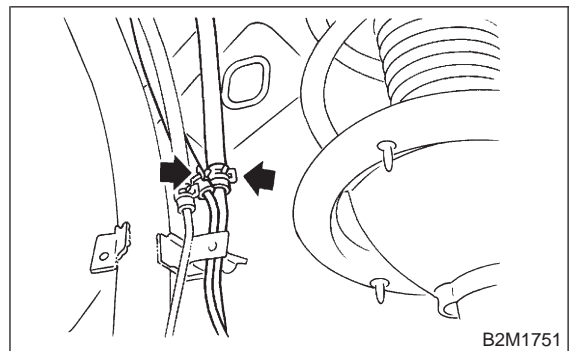
4) Temporarily tighten screws which install fuel filler pipe on filler lid open.



5) Tighten bolt which holds fuel filler pipe on body.

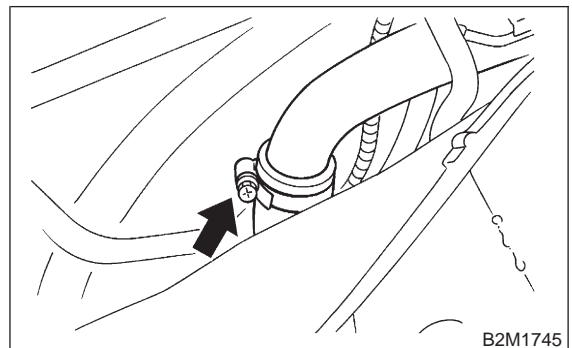


6) Connect evaporation hoses to pipes.

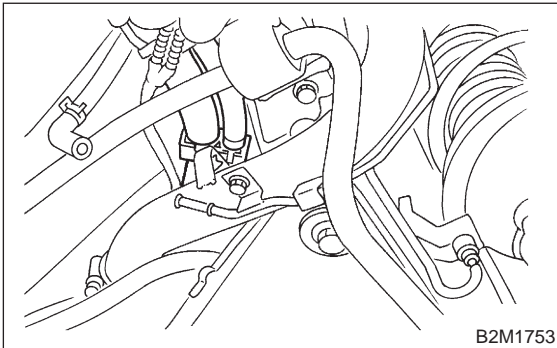


7) Lift-up the vehicle.

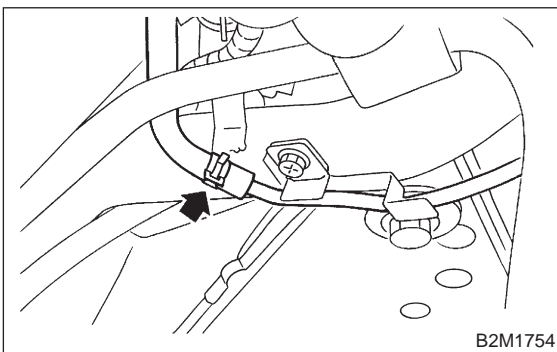
8) Tighten clamp bolt which holds fuel filler hose.



9) Install two evaporation hoses to clip.

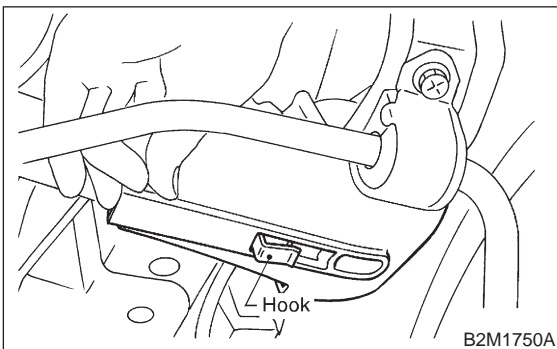


10) Connect evaporation hose to joint pipe.

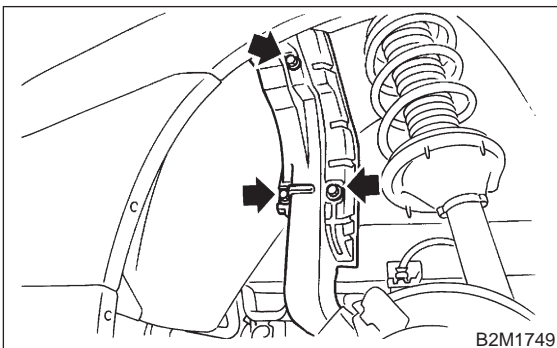


11) Lower the vehicle.

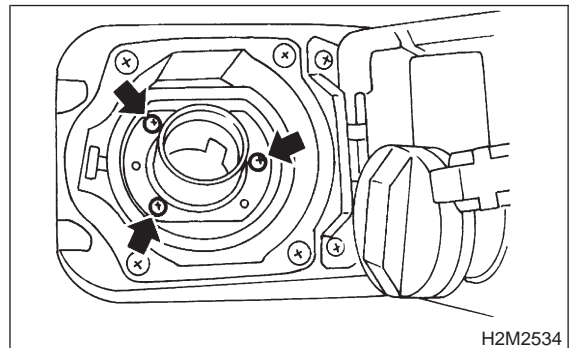
12) While holding the under side of protector cover on bracket, install it.



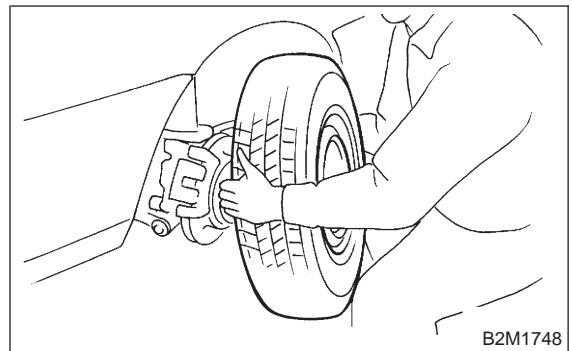
13) Tighten bolts which install protector cover on body.



14) Tighten screws which install fuel filler pipe on filler lid open.

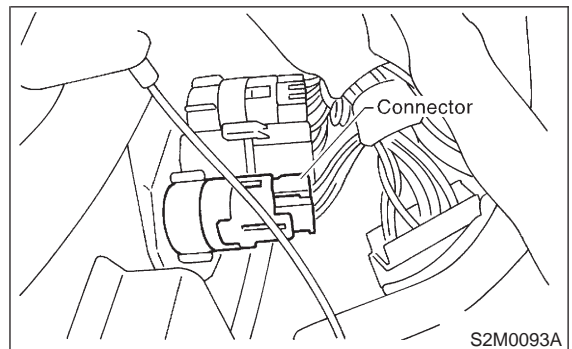


15) Install rear right wheel.

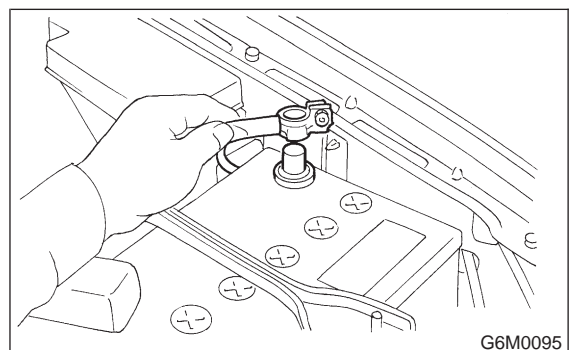


16) Install fuel filler cap.

17) Connect connector to fuel pump relay.

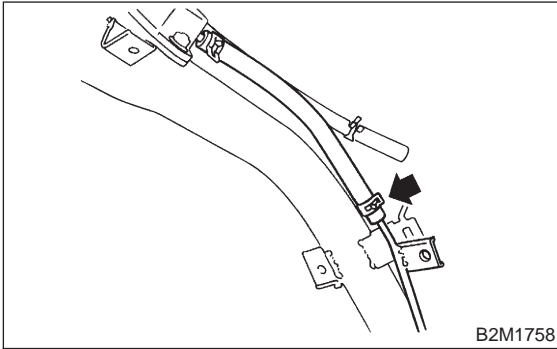


18) Connect battery ground terminal.

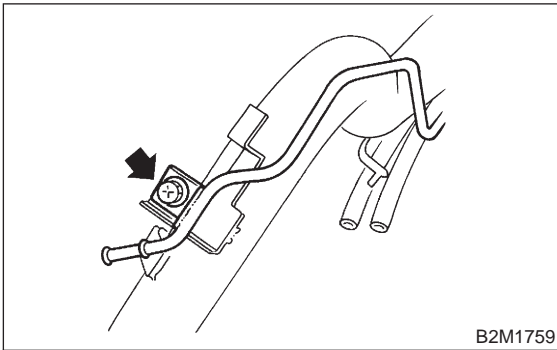


**C: DISASSEMBLY**

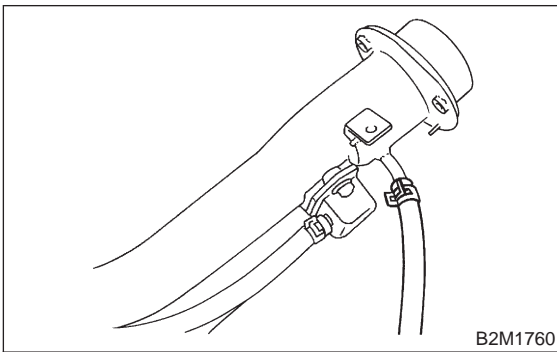
1) Move clip, and disconnect evaporation hose from joint pipe.



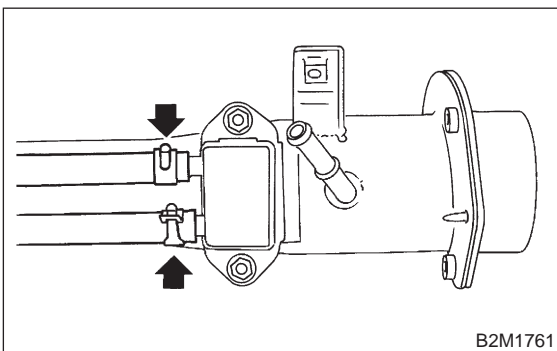
2) Remove bolt which installs joint pipe on fuel filler pipe.



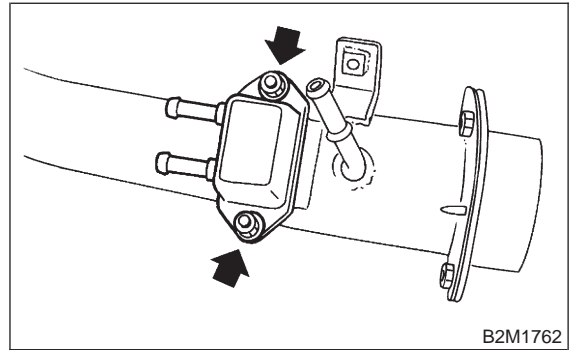
3) Disconnect evaporation hose from fuel filler pipe.



4) Disconnect evaporation hoses from shut valve.



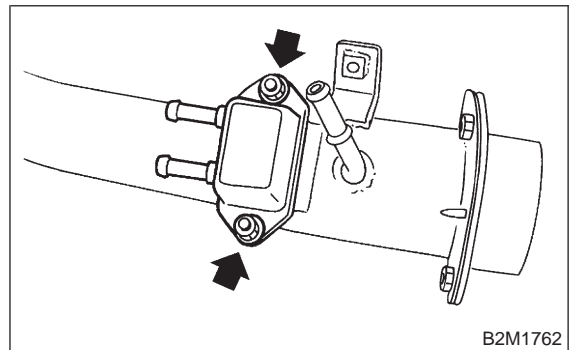
5) Remove shut valve from fuel filler pipe.



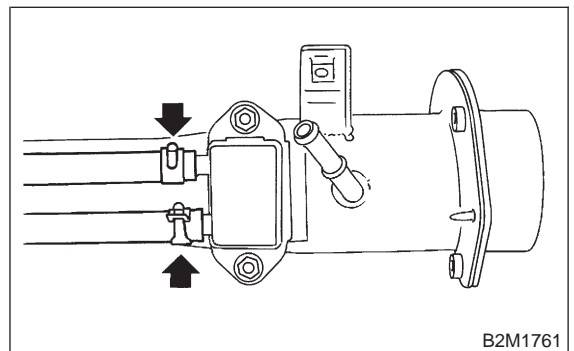
**D: ASSEMBLY**

1) Install shut valve on fuel filler pipe.

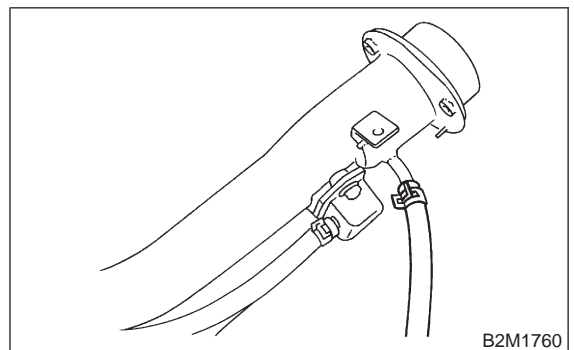
**Tightening torque:**  
 $4.4 \pm 1.5 \text{ N-m}$  ( $0.45 \pm 0.15 \text{ kg-m}$ ,  $3.3 \pm 1.1 \text{ ft-lb}$ )



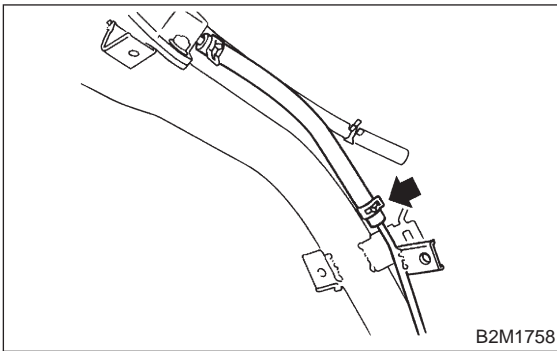
2) Connect evaporation hoses to shut valve.



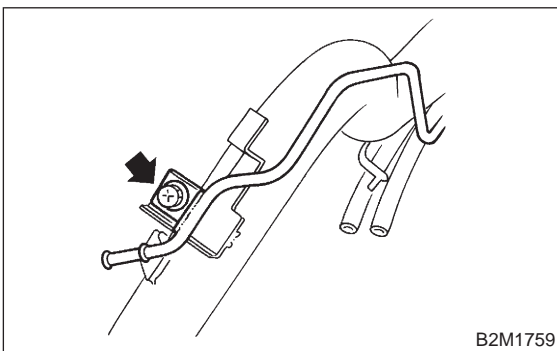
3) Connect evaporation hose to fuel filler pipe.



- 4) Connect evaporation hose to evaporation pipe.



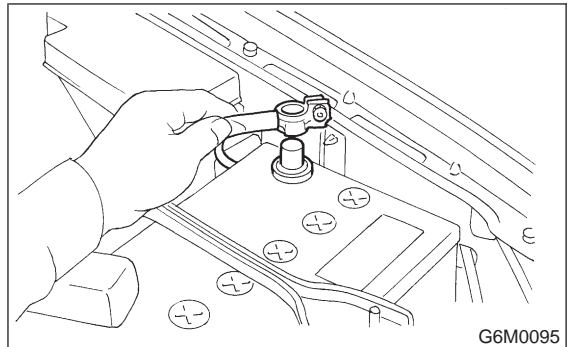
- 5) Install evaporation pipe to fuel filler pipe.



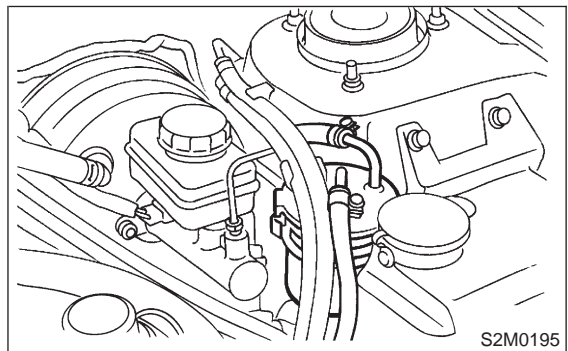
## 4. Fuel Filter

### A: REMOVAL

- 1) Release fuel pressure. <Ref. to 2-8 [W1B0].>
- 2) Disconnect battery ground cable.



- 3) Disconnect fuel delivery hoses from fuel filter.



- 4) Remove filter from holder.

### B: INSPECTION

- 1) Check the inside of fuel filter for dirt and water sediment.
- 2) If it is clogged, or if replacement interval has been reached, replace it.
- 3) If water is found in it, shake and expel the water from inlet port.