

1. On-car Services

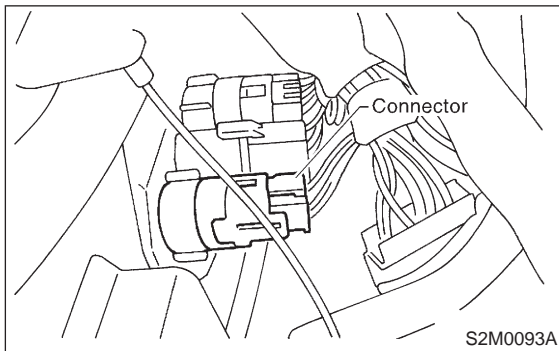
A: PRECAUTIONS

WARNING:

- Place “No fire” signs near the working area.
- Disconnect ground terminal from battery.
- Be careful not to spill fuel on the floor.

B: RELEASING OF FUEL PRESSURE

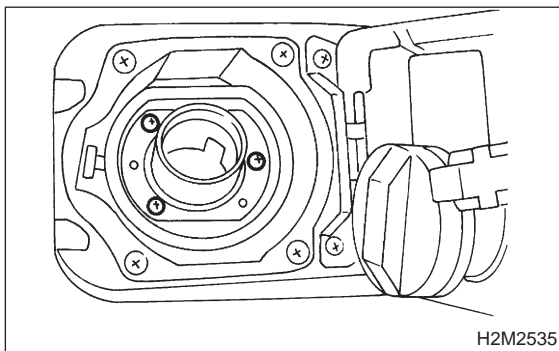
- 1) Disconnect connector from fuel pump relay.



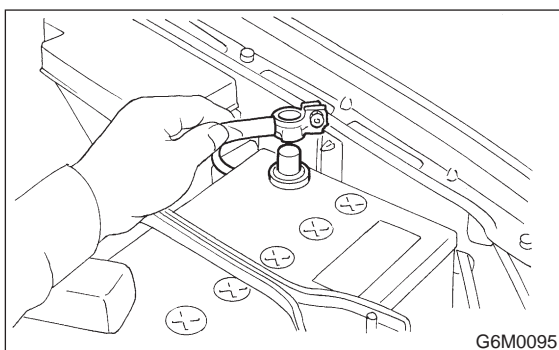
- 2) Start the engine, and run it until it stalls.
- 3) After the engine stalls, crank it for five more seconds.
- 4) Turn ignition switch OFF.

C: DRAINING OF FUEL

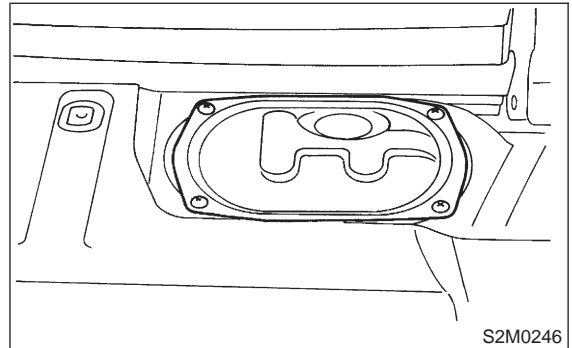
- 1) Release fuel pressure. <Ref. to 2-8 [W1B0].>
- 2) Open fuel flap lid, and remove fuel filler cap.



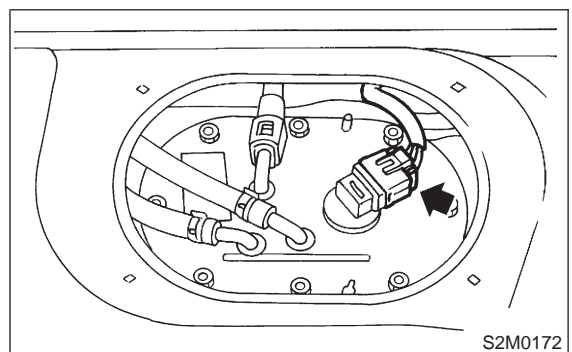
- 3) Disconnect battery ground cable.



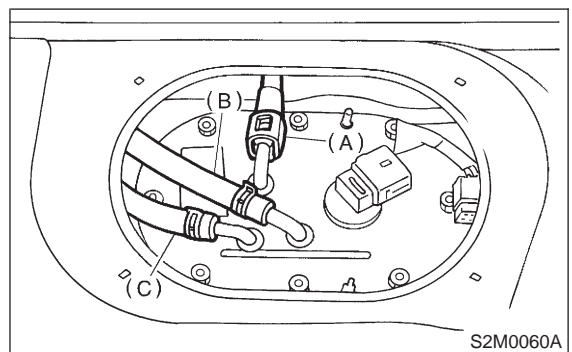
- 4) Remove access hole lid.



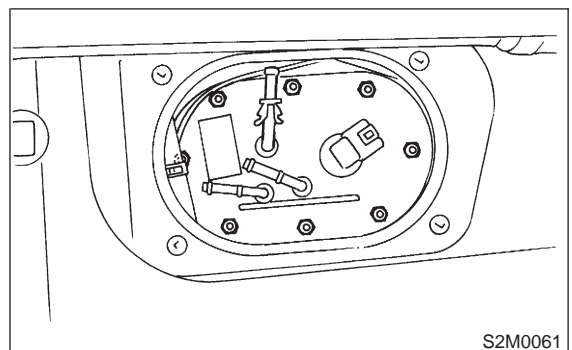
- 5) Disconnect connector from fuel pump.



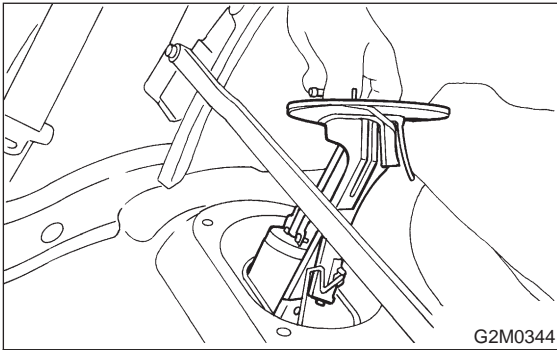
- 6) Disconnect quick connector, and then disconnect fuel delivery hose (A). <Ref. to 2-8 [W7A0].>
- 7) Move clips, and then disconnect fuel return hose (B) and jet pump hose (C).



- 8) Remove nuts which install fuel pump assembly onto fuel tank.

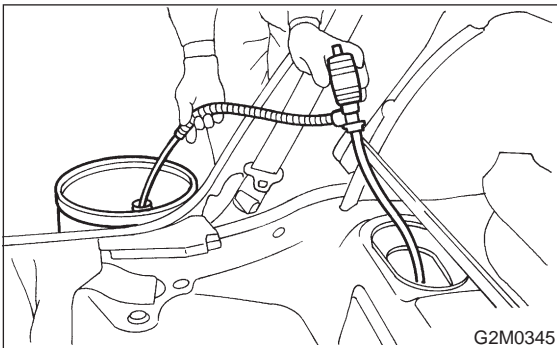


9) Take off fuel pump from fuel tank.

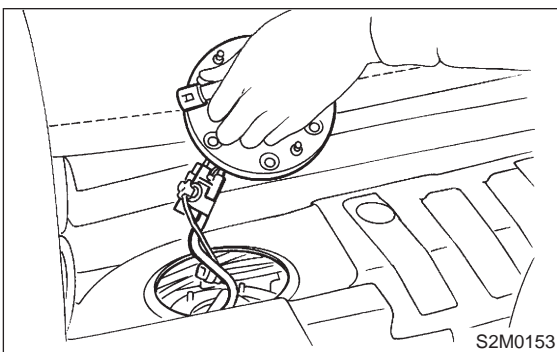


10) Drain fuel from fuel tank by using a hand pump.

WARNING:
Do not use a motor pump when draining fuel.

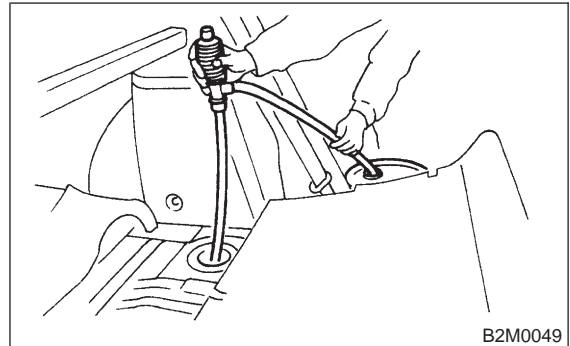


11) Remove fuel sub meter unit. <Ref. to 2-8 [W10A0].>



12) Drain fuel from there.

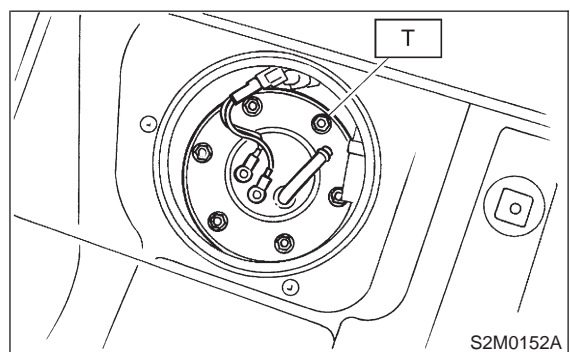
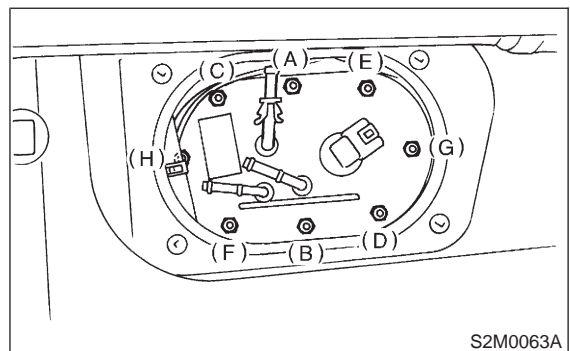
WARNING:
Do not use a motor pump when draining fuel.



13) After draining fuel, reinstall fuel pump and fuel sub meter unit.

Tighten nuts of fuel pump in numerical sequence shown in figure to specified torque.

Tightening torque:
 $4.4 \pm 1.5 \text{ N}\cdot\text{m}$ ($0.45 \pm 0.15 \text{ kg}\cdot\text{m}$, $3.3 \pm 1.1 \text{ ft}\cdot\text{lb}$)



D: MEASUREMENT OF FUEL PRESSURE

WARNING:
Before removing fuel pressure gauge, release fuel pressure.

NOTE:
If out of specification, check or replace pressure regulator and pressure regulator vacuum hose.

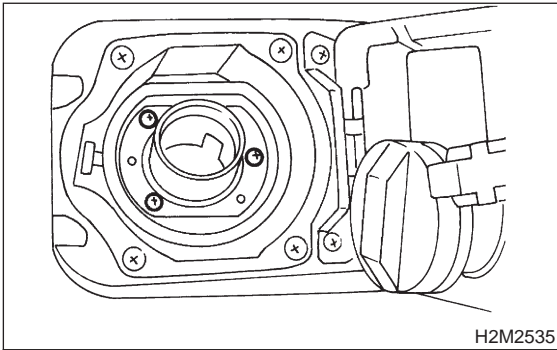
1) Release fuel pressure. <Ref. to 2-8 [W1B0].>

2-8 [W1D0]

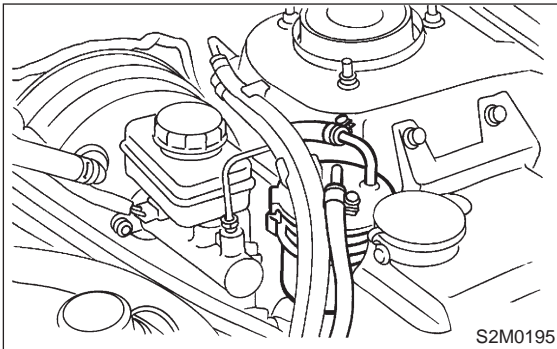
1. On-car Services

SERVICE PROCEDURE

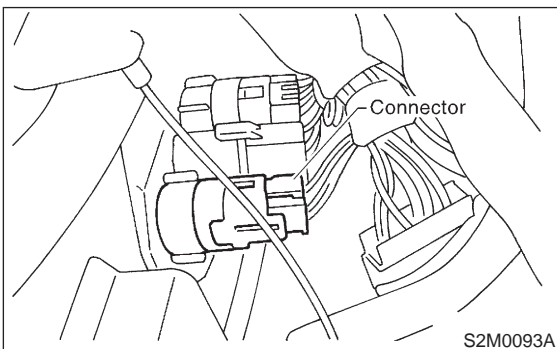
- 2) Open fuel flap lid, and remove fuel filler cap.



- 3) Disconnect fuel delivery hoses from fuel filter, and connect fuel pressure gauge.



- 4) Connect connector to fuel pump relay.

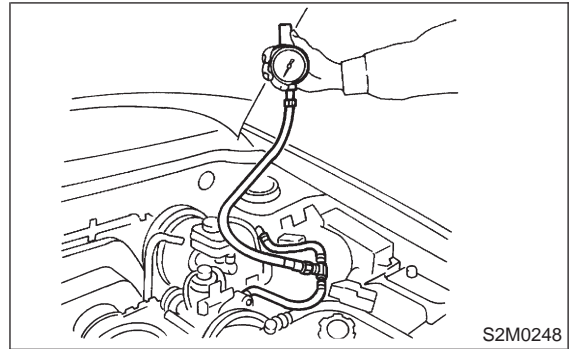


- 5) Start the engine.

- 6) Measure fuel pressure while disconnecting pressure regulator vacuum hose from collector chamber.

Fuel pressure:

235 — 265 kPa (2.4 — 2.7 kg/cm², 34 — 38 psi)



- 7) After connecting pressure regulator vacuum hose, measure fuel pressure.

Fuel pressure:

177 — 206 kPa (1.8 — 2.1 kg/cm², 26 — 30 psi)

