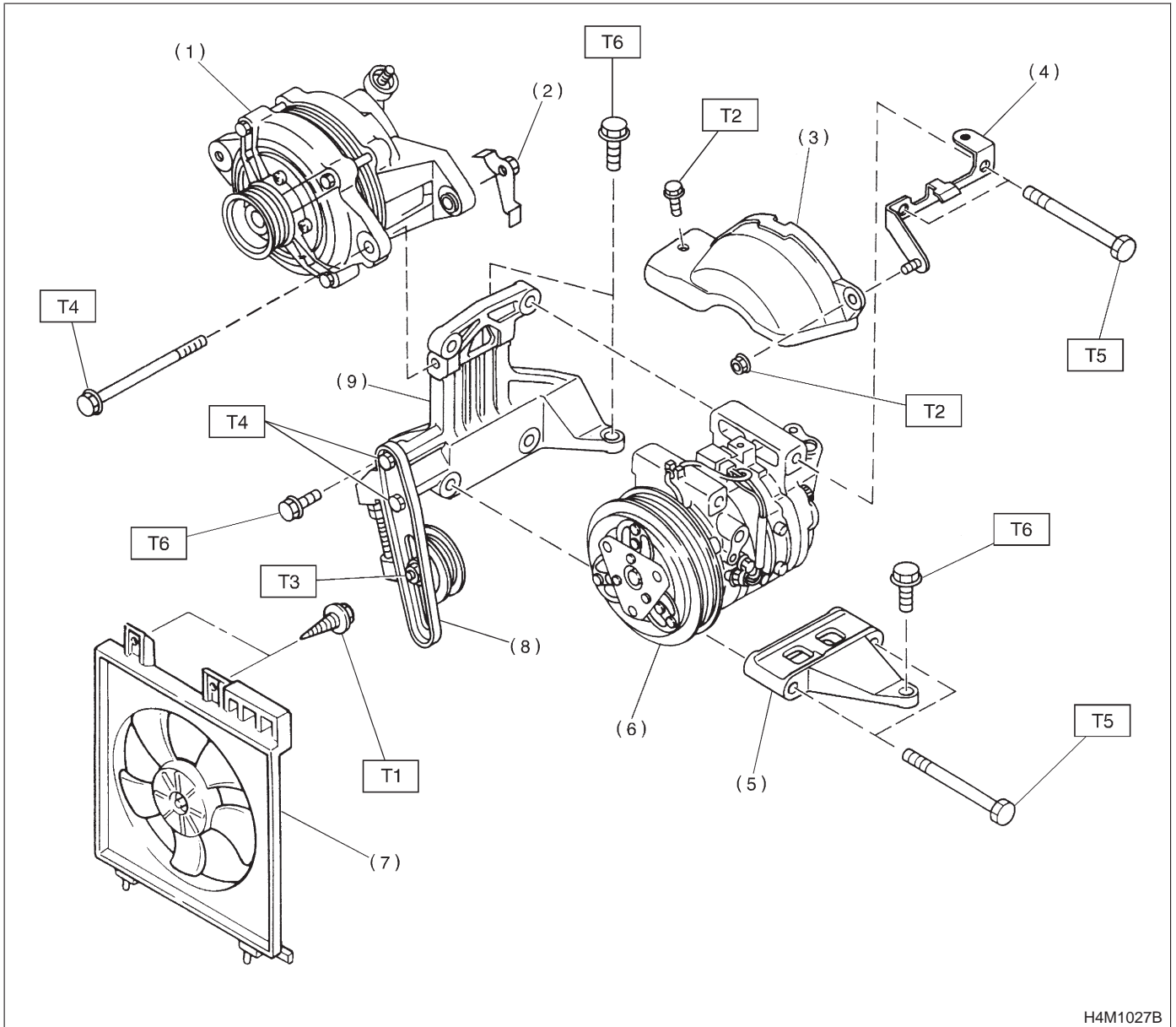


3. Compressor



H4M1027B

- | | |
|------------------------------|------------------------------|
| (1) Alternator | (7) Condenser fan motor ASSY |
| (2) Alternator bracket nut | (8) Idler pulley ASSY |
| (3) Compressor belt cover | (9) Compressor bracket upper |
| (4) Bracket | |
| (5) Compressor bracket lower | |
| (6) Compressor | |

Tightening torque: N-m (kg-m, ft-lb)

T1: 5±1.5 (0.5±0.15, 3.6±1.1)

T2: 7.4±2 (0.75±0.2, 5.4±1.4)

T3: 23±3 (2.3±0.3, 17±2.2)

T4: 23.0±3 (2.35±0.3, 17.0±2.2)

T5: 28.9±4.4 (2.95±0.45, 21.3±3.3)

T6: 35±4 (3.6±0.4, 26±2.9)
