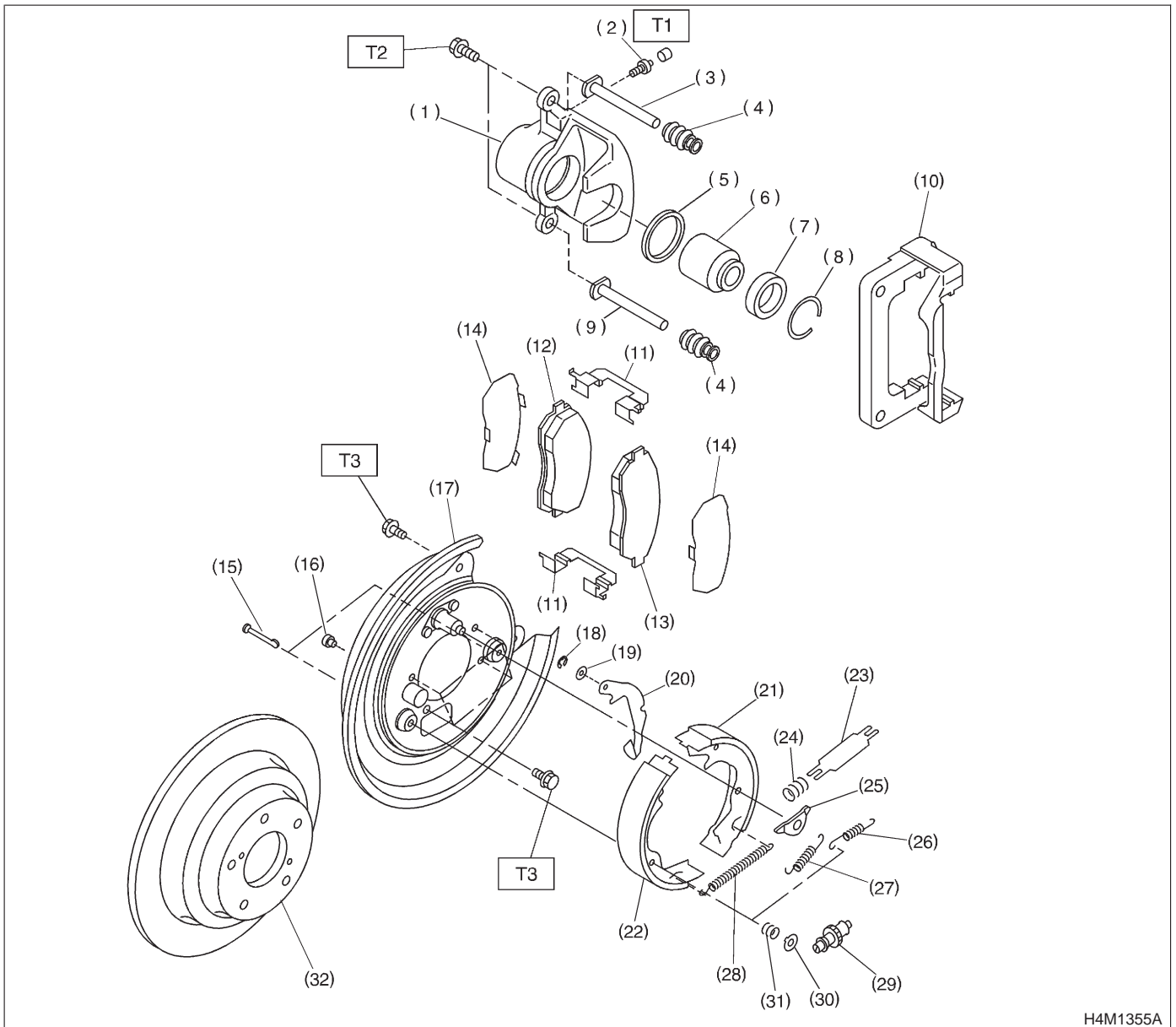


## 2. Rear Disc Brake



- |                       |                                     |                                 |
|-----------------------|-------------------------------------|---------------------------------|
| (1) Caliper body      | (14) Shim                           | (27) Primary shoe return spring |
| (2) Air bleeder screw | (15) Shoe hold-down pin             | (28) Adjusting spring           |
| (3) Guide pin (Green) | (16) Cover                          | (29) Adjuster                   |
| (4) Pin boot          | (17) Back plate                     | (30) Shoe hold-down cup         |
| (5) Piston seal       | (18) Retainer                       | (31) Shoe hold-down spring      |
| (6) Piston            | (19) Spring washer                  | (32) Disc rotor                 |
| (7) Piston boot       | (20) Parking brake lever            |                                 |
| (8) Boot ring         | (21) Parking brake shoe (Secondary) |                                 |
| (9) Lock pin (Yellow) | (22) Parking brake shoe (Primary)   |                                 |
| (10) Support          | (23) Strut                          |                                 |
| (11) Pad clip         | (24) Strut shoe spring              |                                 |
| (12) Inner pad        | (25) Shoe guide plate               |                                 |
| (13) Outer pad        | (26) Secondary shoe return spring   |                                 |

**Tightening torque: N-m (kg-m, ft-lb)**

**T1: 8±1 (0.8±0.1, 5.8±0.7)**

**T2: 39±5 (4.0±0.5, 28.9±3.6)**

**T3: 52±6 (5.3±0.6, 38.3±4.3)**