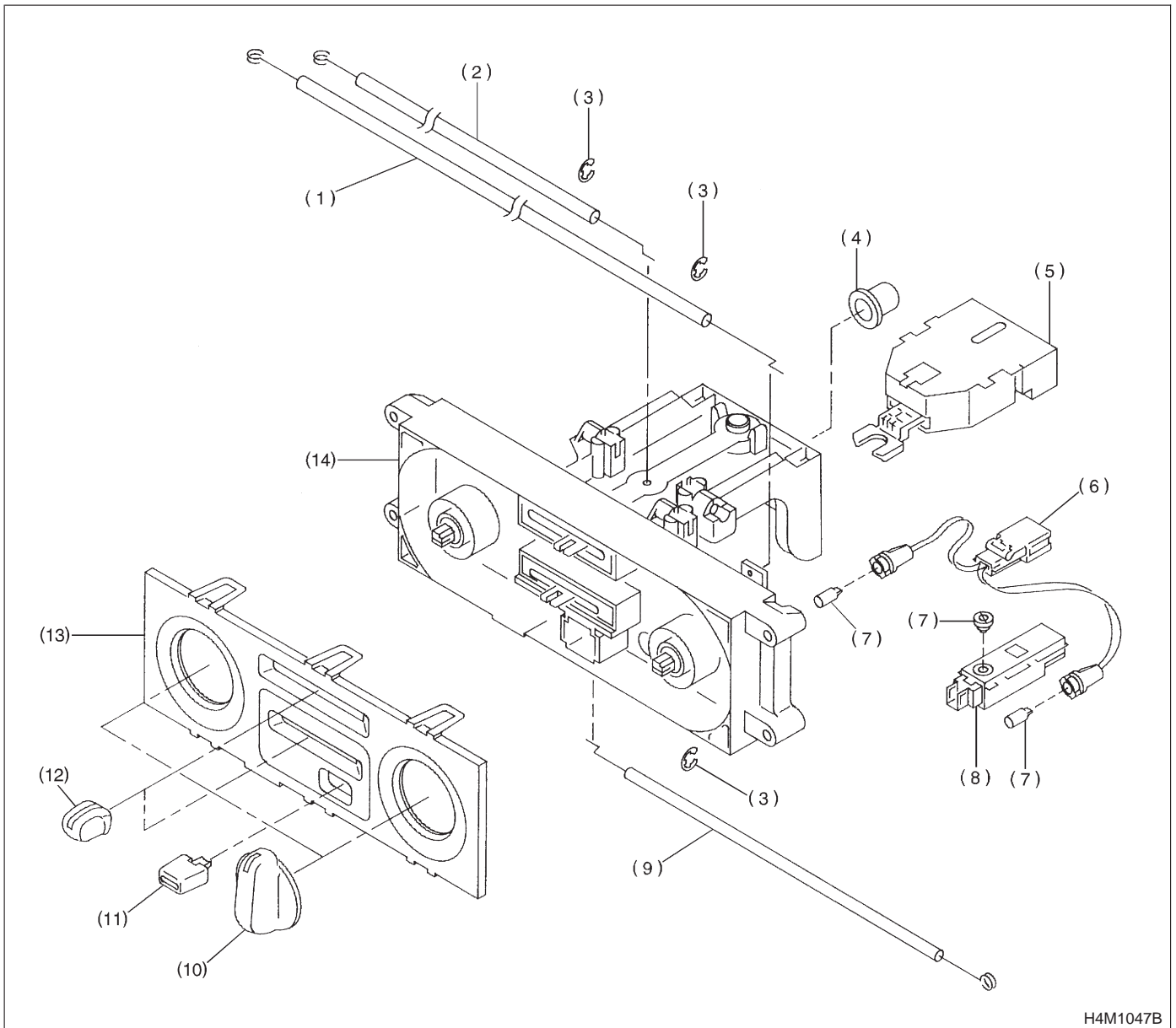


3. Control Unit



H4M1047B

- | | | |
|-------------------------------|------------------------|-------------------------|
| (1) Temperature control cable | (6) Harness ASSY | (11) A/C switch knob |
| (2) Recirc control cable | (7) Bulb | (12) Control lever knob |
| (3) Clip | (8) A/C switch ASSY | (13) Plate |
| (4) Grommet | (9) Mode control cable | (14) Base unit |
| (5) Blower switch ASSY | (10) Control dial knob | |