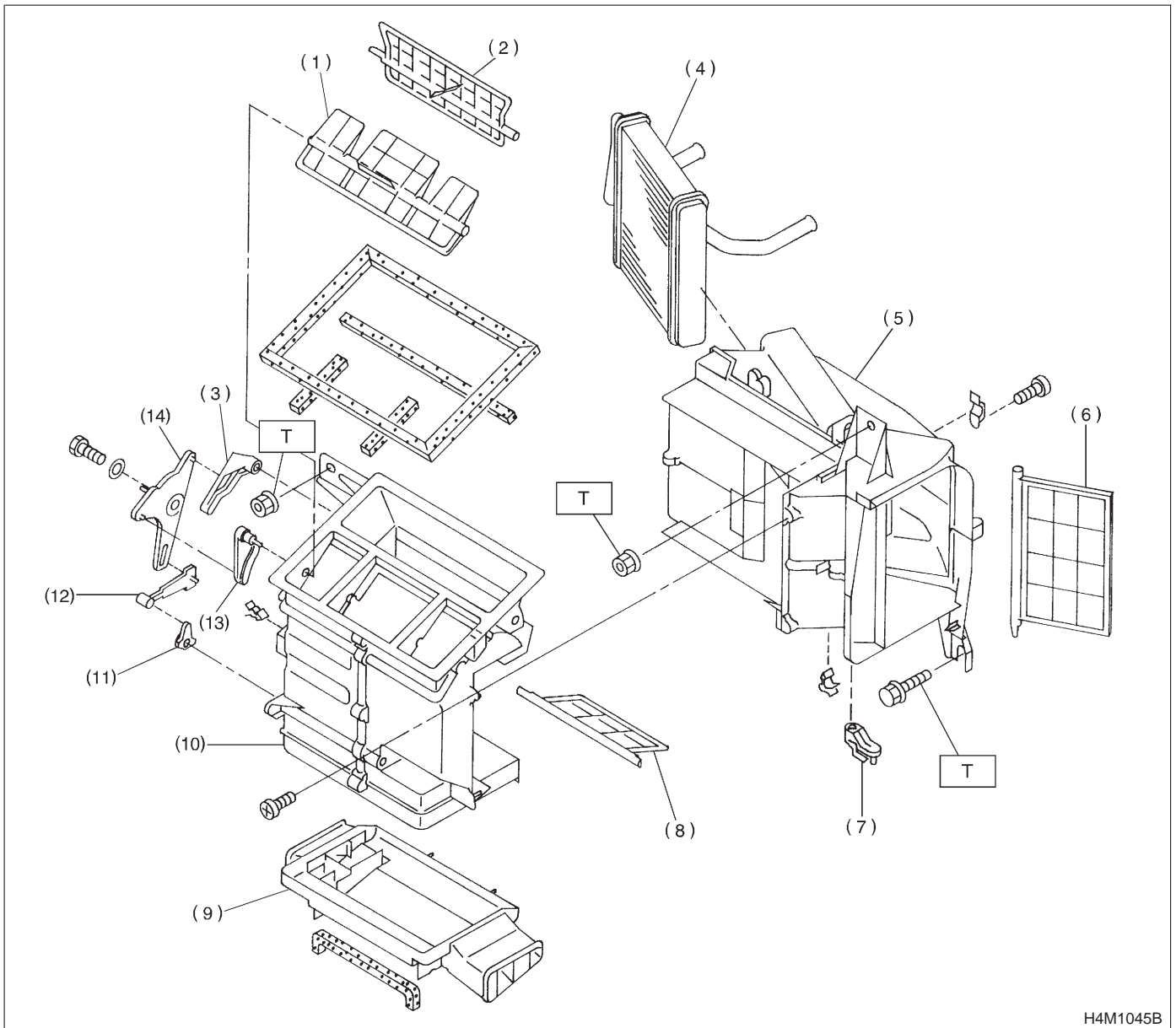


1. Heater Unit



H4M1045B

- | | | |
|-----------------------|-----------------------|-----------------|
| (1) Vent door | (7) Mix lever | (13) Vent lever |
| (2) DEF door | (8) Foot door | (14) Side link |
| (3) DEF lever | (9) Foot duct | |
| (4) Heater core | (10) Heater case REAR | |
| (5) Heater case FRONT | (11) Foot lever lower | |
| (6) Mix door | (12) Foot lever upper | |

Tightening torque: N-m (kg-m, ft-lb)

**T: 7.35±1.96
(0.750±0.200, 5.421±1.446)**