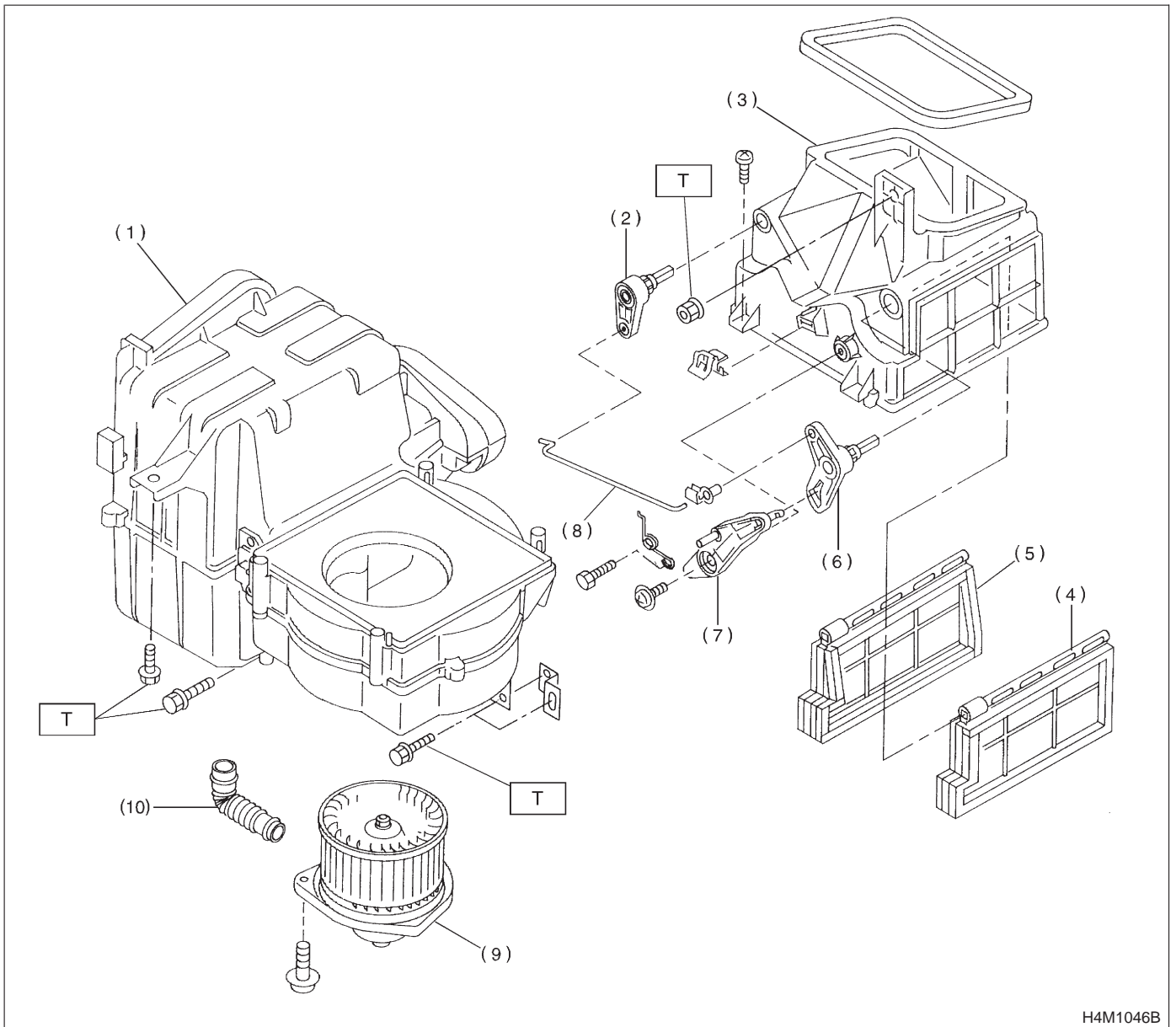


2. Intake Unit



H4M1046B

- | | |
|----------------------------|-----------------------|
| (1) Intake unit case lower | (6) Lever (A) |
| (2) Lever (B) | (7) Link |
| (3) Intake unit case upper | (8) Rod |
| (4) Door (A) | (9) Blower motor ASSY |
| (5) Door (B) | (10) Aspirator pipe |

Tightening torque: N-m (kg-m, ft-lb)
T: 7.35±1.96
(0.750±0.200, 5.421±1.446)