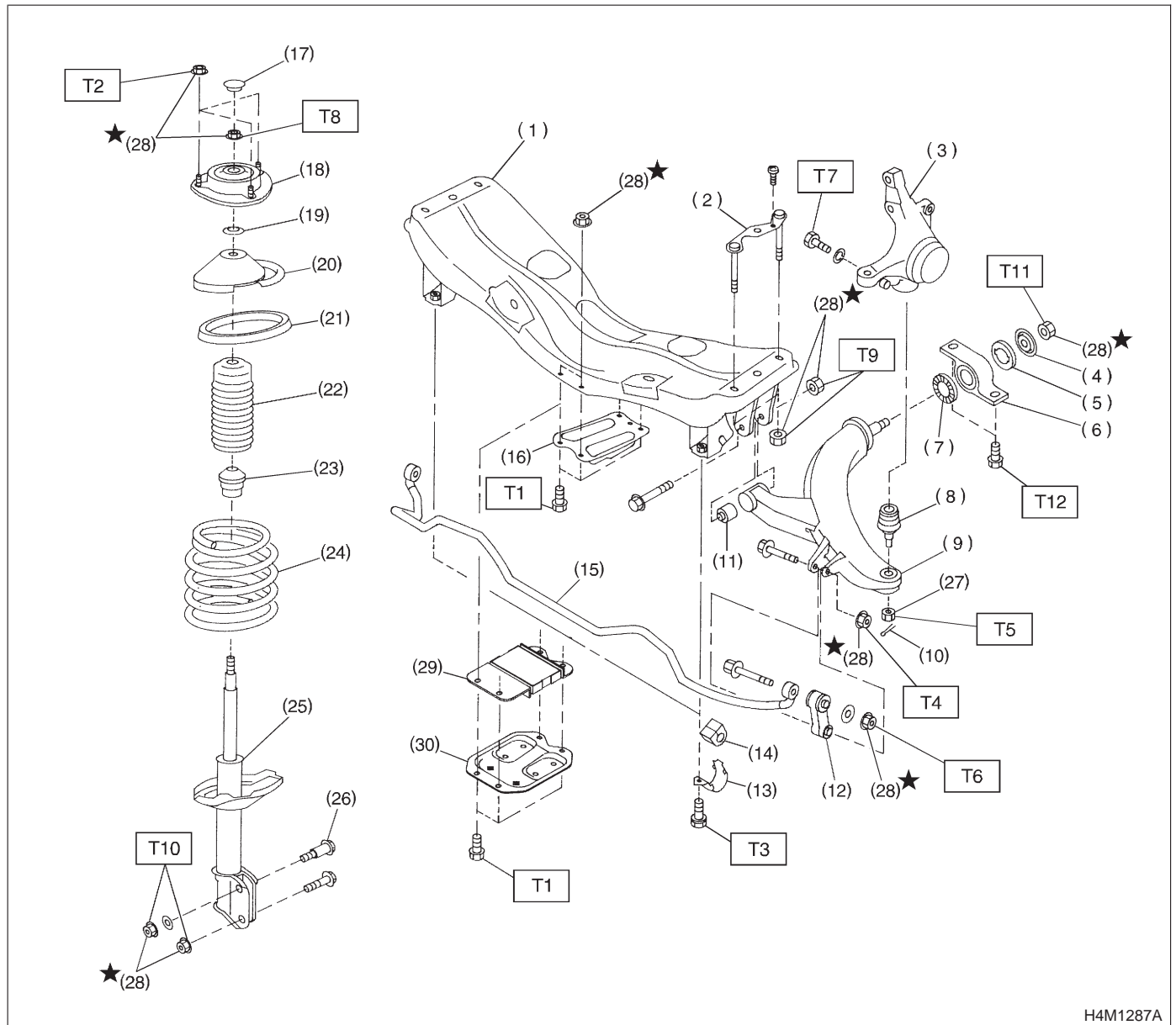


1. Front Suspension



H4M1287A

- |                         |  |                                       |
|-------------------------|--|---------------------------------------|
| (1) Crossmember         | (16) Jack-up plate (Except 2500 cc MT model) | (30) Jack-up plate (2500 cc MT model) |
| (2) Bolt ASSY           | (17) Dust seal                               |                                       |
| (3) Housing             | (18) Strut mount                             |                                       |
| (4) Washer              | (19) Spacer                                  |                                       |
| (5) Stop rubber (Rear)  | (20) Upper spring seat                       |                                       |
| (6) Rear bushing        | (21) Rubber seat                             |                                       |
| (7) Stop rubber (Front) | (22) Dust cover                              |                                       |
| (8) Ball joint          | (23) Helper                                  |                                       |
| (9) Transverse link     | (24) Coil spring                             |                                       |
| (10) Cotter pin         | (25) Damper strut                            |                                       |
| (11) Front bushing      | (26) Adjusting bolt                          |                                       |
| (12) Stabilizer link    | (27) Castle nut                              |                                       |
| (13) Clamp              | (28) Self-locking nut                        |                                       |
| (14) Bushing            | (29) Dynamic damper (2500 cc MT model)       |                                       |
| (15) Stabilizer         |  |                                       |

# COMPONENT PARTS

[C100] 4-1  
1. Front Suspension

---

---

**Tightening torque: N·m (kg·m, ft·lb)**

**T1: 18±5 (1.8±0.5, 13.0±3.6)**

**T2: 20±6 (2.0±0.6, 14.5±4.3)**

**T3: 25±4 (2.5±0.4, 18.1±2.9)**

**T4: 29±5 (3.0±0.5, 21.7±3.6)**

**T5: 39 (4, 29)**

**T6: 44±6 (4.5±0.6, 32.5±4.3)**

**T7: 49±10 (5.0±1.0, 36±7)**

**T8: 54±5 (5.5±0.5, 39.8±3.6)**

**T9: 98±15 (10.0±1.5, 72±11)**

**T10: 152±20 (15.5±2.0, 112±14)**

**T11: 186±10 (19.0±1.0, 137±7)**

**T12: 245±49 (25.0±5.0, 181±36)**

---