

4. Rear Differential Front Member

A: REMOVAL

1. VA-TYPE

- 1) Disconnect ground cable from battery.
- 2) Move selector lever or gear shift lever to "N".
- 3) Release the parking brake.
- 4) Loosen wheel nuts.
- 5) Jack-up vehicle and support it with sturdy racks.
- 6) Remove wheels.
- 7) Remove rear exhaust pipe and muffler.
<Ref. to 2-9 [W3A0].> and <Ref. to 2-9 [W2A0].>
- 8) Remove rear differential front member.

NOTE:

When removing rear differential front member, work the removal procedure as rear differential.
<Ref. to 3-4 [W2B0].>

2. T-TYPE

- 1) Disconnect ground cable from battery.
- 2) Move selector lever or gear shift lever to "N".
- 3) Release the parking brake.
- 4) Loosen wheel nuts.
- 5) Jack-up vehicle and support it with sturdy racks.
- 6) Remove wheels.
- 7) Remove rear exhaust pipe and muffler.
<Ref. to 2-9 [W3A0].> and <Ref. to 2-9 [W2A0].>
- 8) Remove rear differential front member.

NOTE:

When removing rear differential front member, work the removal procedure as rear differential.
<Ref. to 3-4 [W3B0].>

B: INSTALLATION

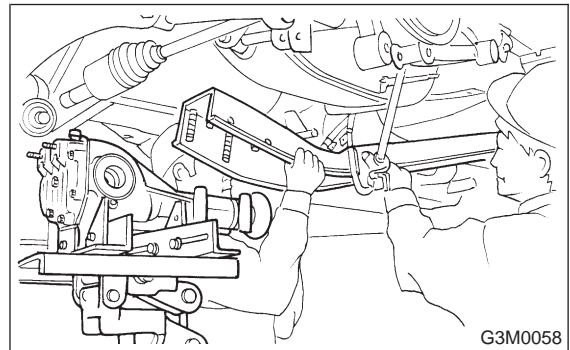
1. VA-TYPE

To install, reverse the removal sequence.

- 1) Position front member on body by passing it under parking brake cable and securing to rear differential.

NOTE:

When installing rear differential front member, do not confuse the installation sequence of the stopper.

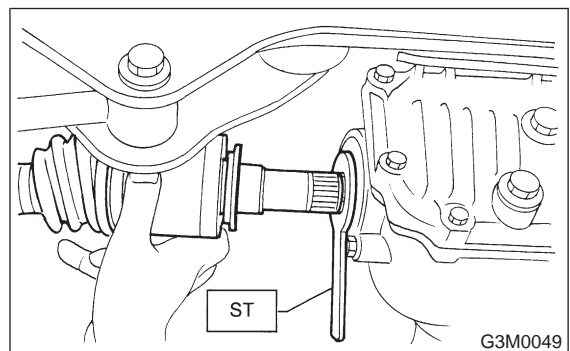


- 2) Insert DOJ of rear drive shaft into rear differential.
<Ref. to 3-4 [W2A2].>

CAUTION:

Before inserting, replace the differential side oil seal with a new one.

ST 28099PA090 SIDE OIL SEAL PROTECTOR



- 3) Installing procedure hereafter is in the reverse order of removal.

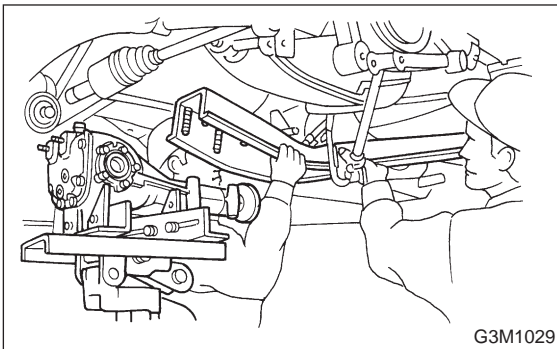
2. T-TYPE

To install, reverse the removal sequence.

1) Position front member on body by passing it under parking brake cable and securing to rear differential.

NOTE:

When installing rear differential front member, do not confuse the installation sequence of the stopper.



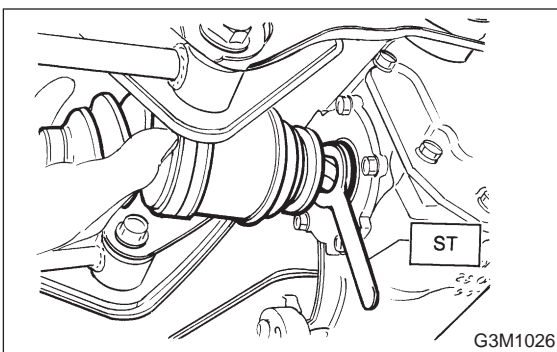
2) Insert DOJ of rear drive shaft into rear differential.

<Ref. to 3-4 [W3A2].>

CAUTION:

Before inserting, replace the differential side oil seal with a new one.

ST 28099PA090 SIDE OIL SEAL PROTECTOR



3) Installing procedure hereafter is in the reverse order of removal.