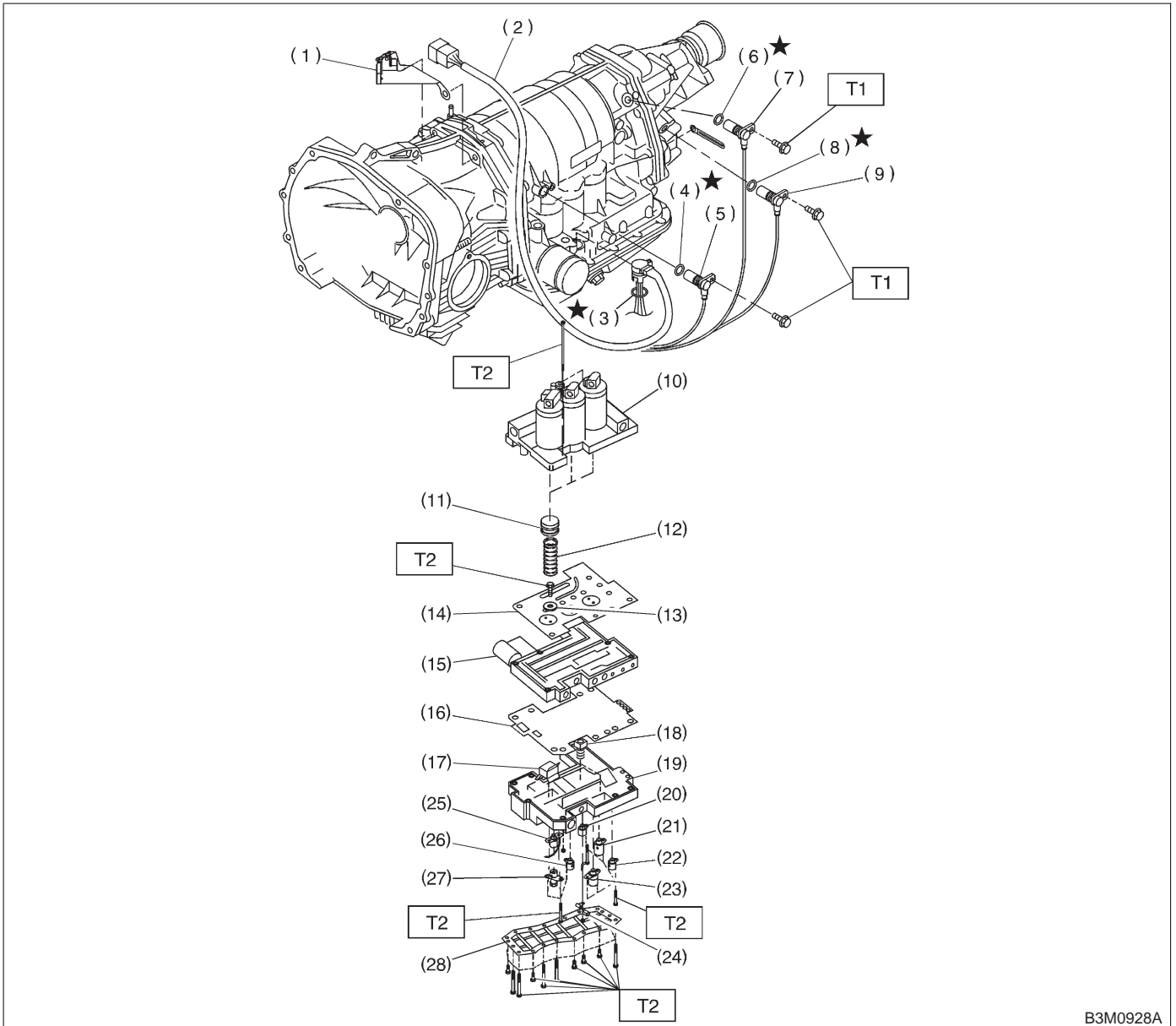


4. Control Valve and Harness Routing



B3M0928A

- | | | |
|---|----------------------------------|--------------------------------------|
| (1) Stay | (12) Accumulator spring | (24) ATF temperature sensor |
| (2) Transmission harness | (13) Side plate | (25) Duty solenoid A (Line pressure) |
| (3) O-ring | (14) Separate plate | (26) Low clutch timing solenoid |
| (4) O-ring | (15) Middle valve body | (27) Duty solenoid B (Lock-up) |
| (5) Torque converter turbine speed sensor | (16) Separate plate | (28) Oil strainer |
| (6) O-ring | (17) Fluid filter | |
| (7) Vehicle speed sensor 2 (Front) | (18) Fluid filter | |
| (8) O-ring | (19) Lower valve body | |
| (9) Vehicle speed sensor 1 (Rear) | (20) Shift solenoid 2 | |
| (10) Upper valve body | (21) Shift solenoid 1 | |
| (11) Accumulator piston | (22) 2-4 brake timing solenoid | |
| | (23) Duty solenoid D (2-4 brake) | |

Tightening torque: N·m (kg·m, ft·lb)

T1: 7±1 (0.7±0.1, 5.1±0.7)

T2: 8±1 (0.8±0.1, 5.8±0.7)