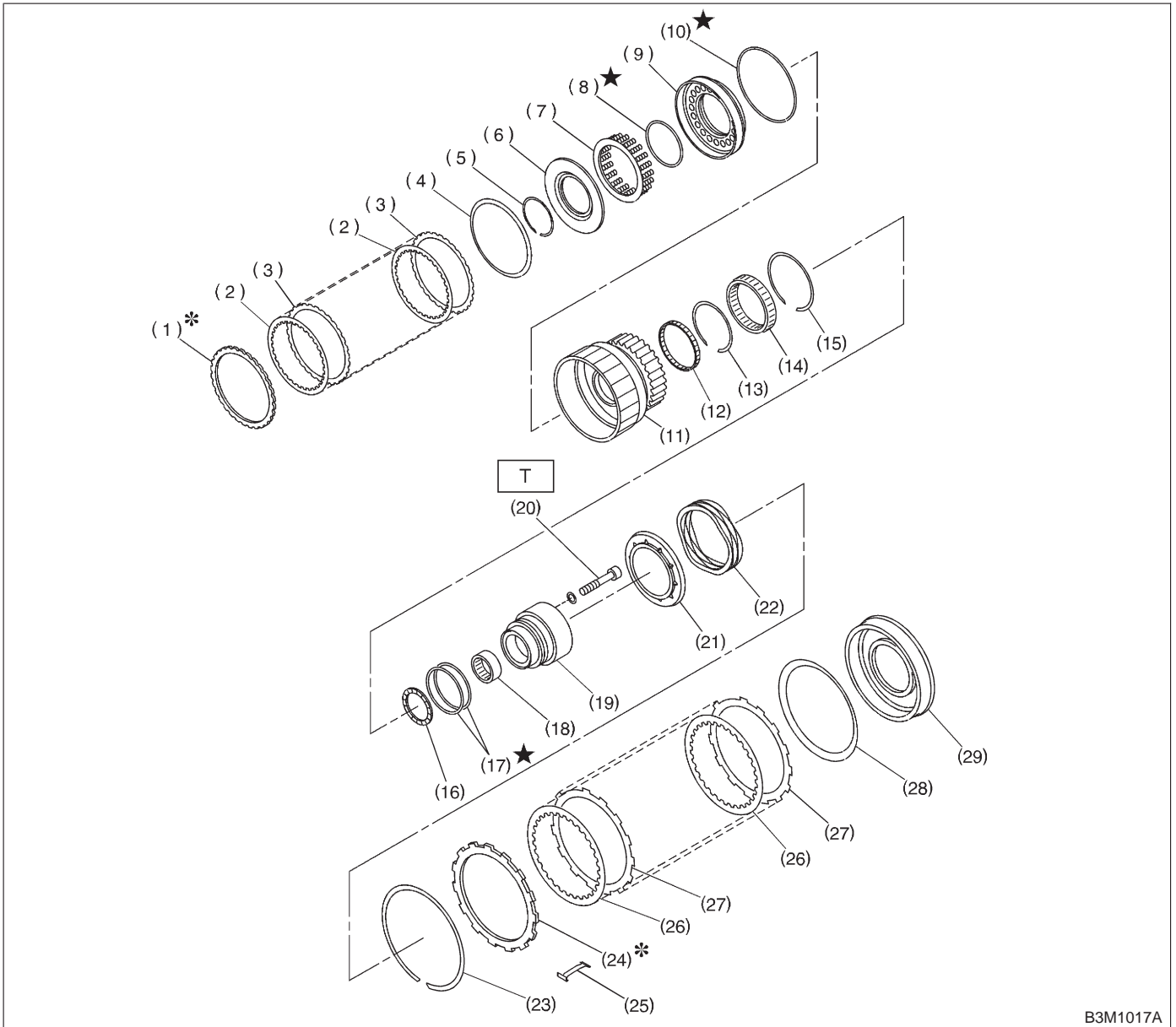


7. Low Clutch and Low & Reverse Brake



B3M1017A

- | | | |
|--------------------------|--------------------------------|-----------------------------------|
| (1) Retaining plate | (12) Needle bearing | (23) Snap ring |
| (2) Drive plate | (13) Snap ring | (24) Retaining plate |
| (3) Driven plate | (14) One-way clutch | (25) Leaf spring |
| (4) Dish plate | (15) Snap ring | (26) Drive plate |
| (5) Snap ring | (16) Thrust needle bearing | (27) Driven plate |
| (6) Cover | (17) Seal ring | (28) Dish plate |
| (7) Spring retainer | (18) Needle bearing | (29) Low and reverse brake piston |
| (8) Lathe cut seal ring | (19) One-way clutch inner race | |
| (9) Low piston | (20) Socket bolt | |
| (10) Lathe cut seal ring | (21) Spring retainer | |
| (11) Low clutch drum | (22) Return spring | |

Tightening torque: N-m (kg-m, ft-lb)
T: 25±2 (2.5±0.2, 18.1±1.4)