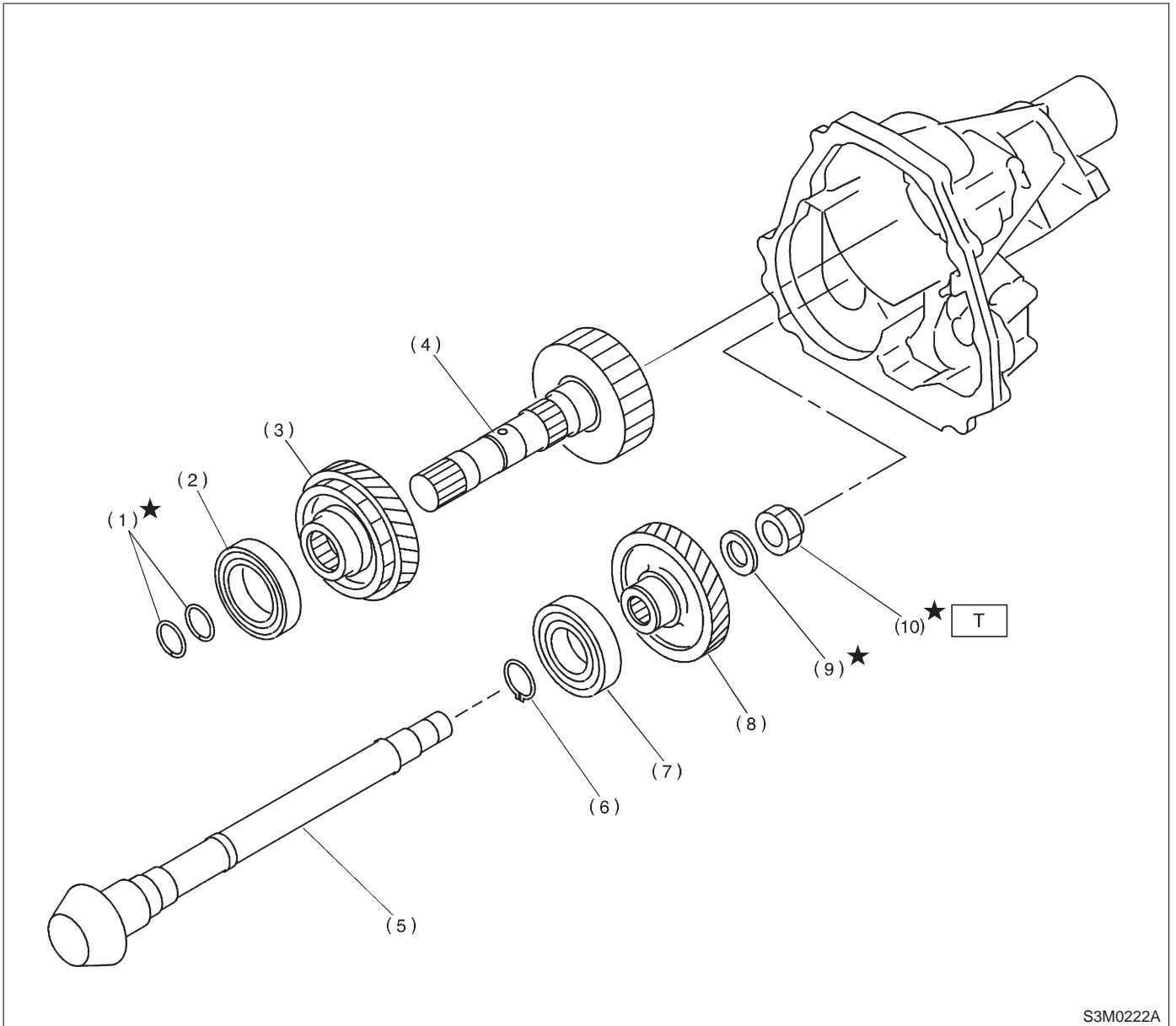


8. Reduction Gear



S3M0222A

- | | |
|---------------------------|---------------------------|
| (1) Seal ring | (6) Snap ring |
| (2) Ball bearing | (7) Ball bearing |
| (3) Reduction drive gear | (8) Reduction driven gear |
| (4) Reduction drive shaft | (9) Washer |
| (5) Drive pinion shaft | (10) Lock nut |

Tightening torque: N-m (kg-m, ft-lb)
T: 100±5 (10.2±0.5, 73.8±3.6)