

## 10. Transfer Clutch Pressure Test

### A: MEASUREMENT

#### 1. TEST METHODS

Check transfer clutch pressure in accordance with the following chart in the same manner as with line pressure.

ST 499897700 OIL PRESSURE ADAPTER SET

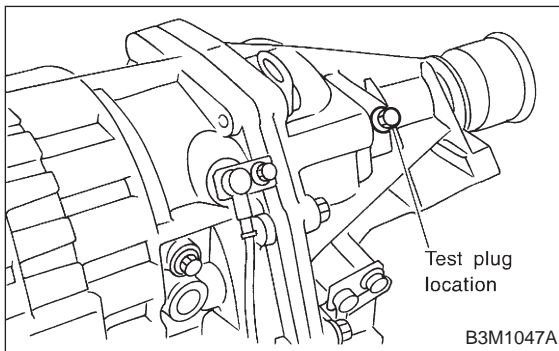
ST 498575400 OIL PRESSURE GAUGE ASSY

AWD mode: "D" range

FWD mode: "P" range, engine speed 2,000 rpm

#### CAUTION:

Before setting in FWD mode, install spare fuse on FWD mode switch.



#### 2. EVALUATION

##### NOTE:

If oil pressure is not produced or if it does not change in the AWD mode, the duty solenoid C or transfer valve assembly may be malfunctioning. If oil pressure is produced in the FWD mode, the problem is similar to that in the AWD mode.

Standard transfer clutch pressure kPa (kg/cm <sup>2</sup> , psi)		
Duty ratio (%)	AWD mode	FWD mode
5	951 — 1,089 (9.7 — 11.1, 138 — 158)	—
60	226 — 294 (2.3 — 3.0, 33 — 43)	—
95	—	0 (0, 0)