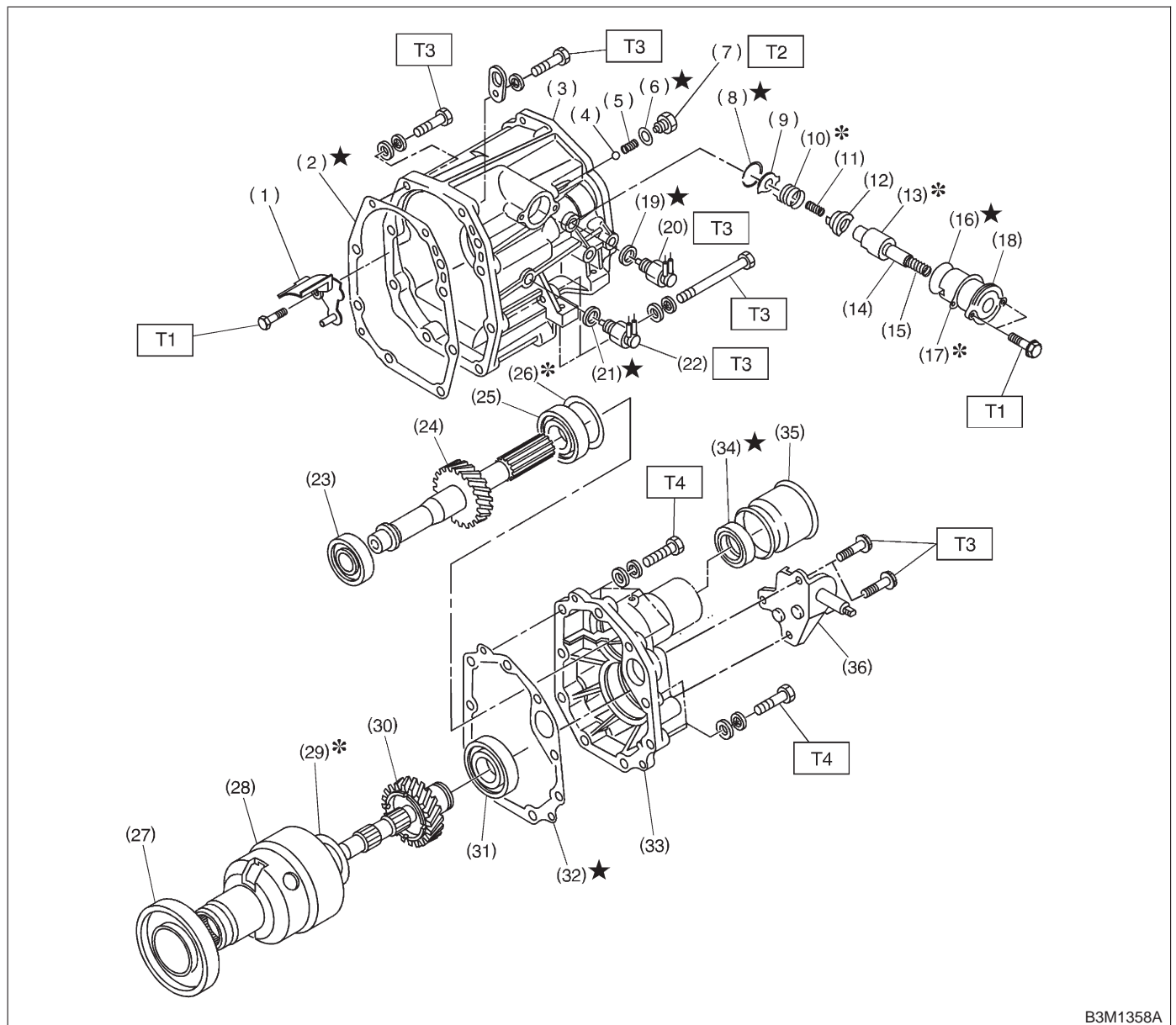


5. Transfer Case and Extension



B3M1358A

- | | | |
|----------------------------|----------------------------|--------------------|
| (1) Oil guide | (16) O-ring | (31) Ball bearing |
| (2) Gasket | (17) Adjusting select shim | (32) Gasket |
| (3) Transfer case | (18) Reverse check sleeve | (33) Extension |
| (4) Ball | (19) Gasket | (34) Oil seal |
| (5) Reverse accent spring | (20) Neutral switch | (35) Dust cover |
| (6) Gasket | (21) Gasket | (36) Shift bracket |
| (7) Plug | (22) Back-up light switch | |
| (8) Snap ring (Inner) | (23) Ball bearing | |
| (9) Reverse check plate | (24) Transfer driven gear | |
| (10) Reverse check spring | (25) Ball bearing | |
| (11) Reverse return spring | (26) Adjusting washer | |
| (12) Reverse check cam | (27) Ball bearing | |
| (13) Reverse accent shaft | (28) Center differential | |
| (14) Return spring cap | (29) Adjusting washer | |
| (15) Return spring | (30) Transfer drive gear | |

Tightening torque: N-m (kg-m, ft-lb)

T1: 5±1 (0.5±0.1, 3.6±0.7)

T2: 10±1 (1.0±0.1, 7.2±0.7)

T3: 25±2 (2.5±0.2, 18.1±1.4)

T4: 37±3 (3.8±0.3, 27.5±2.2)